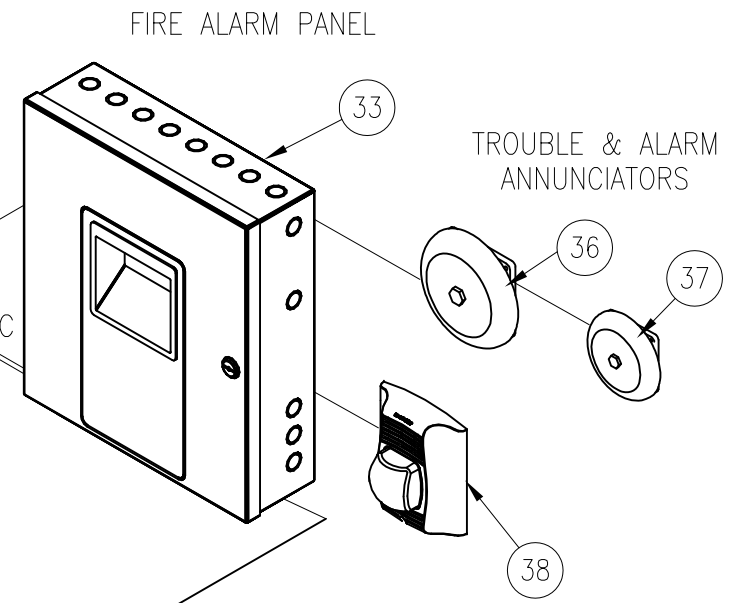
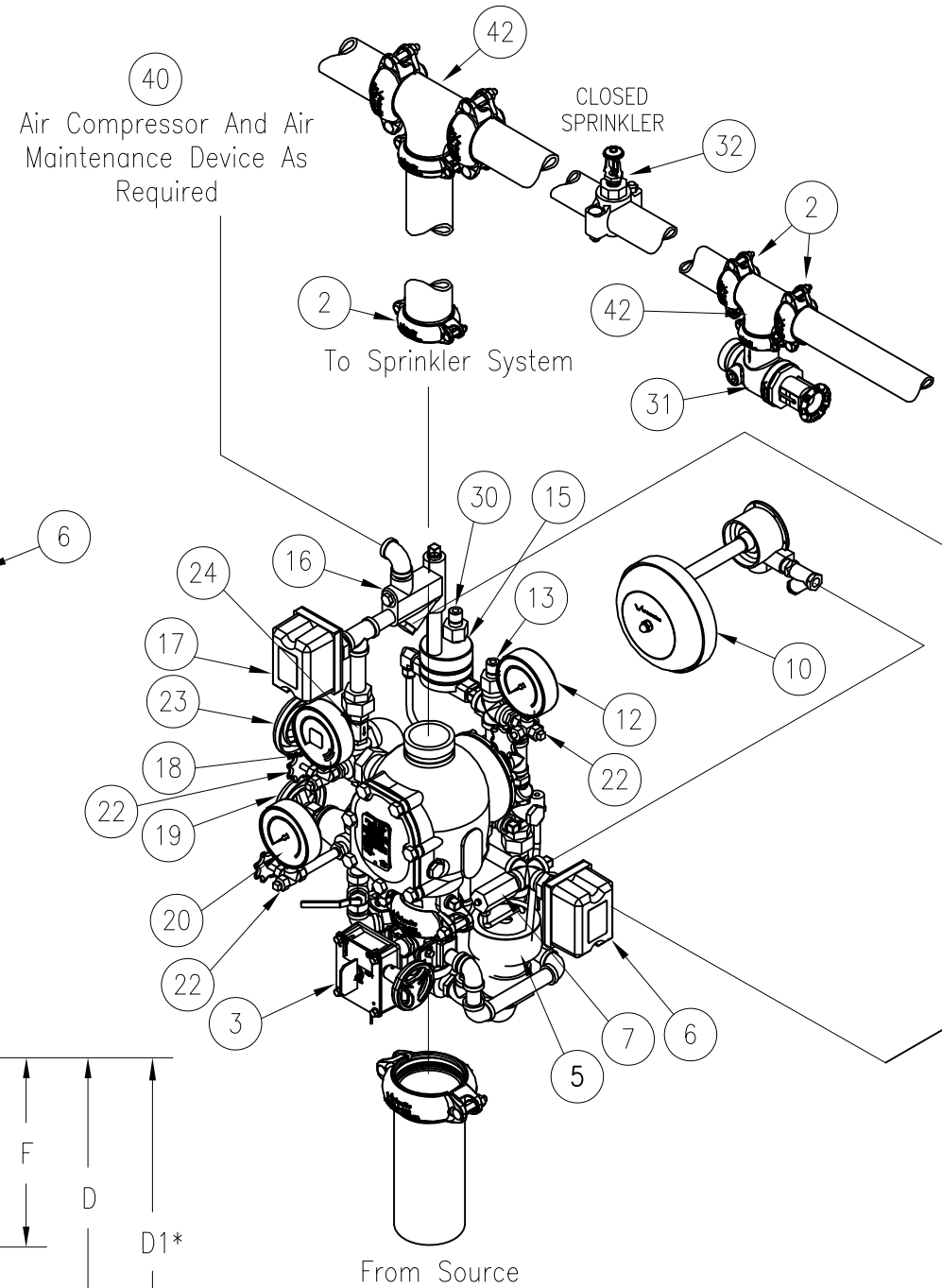
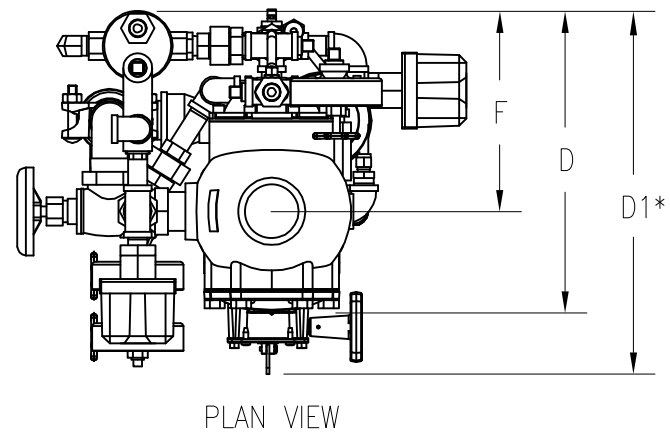
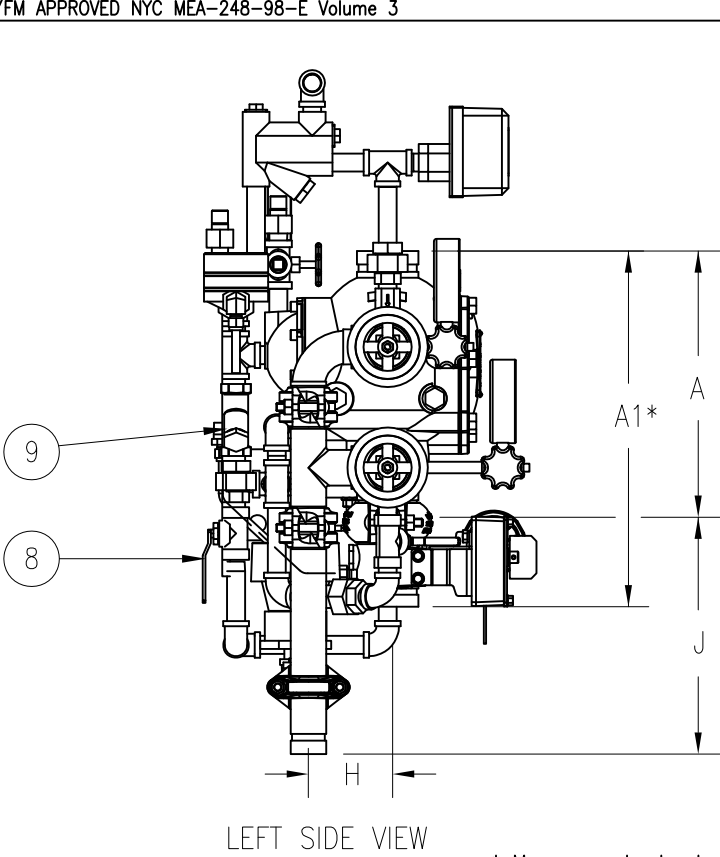
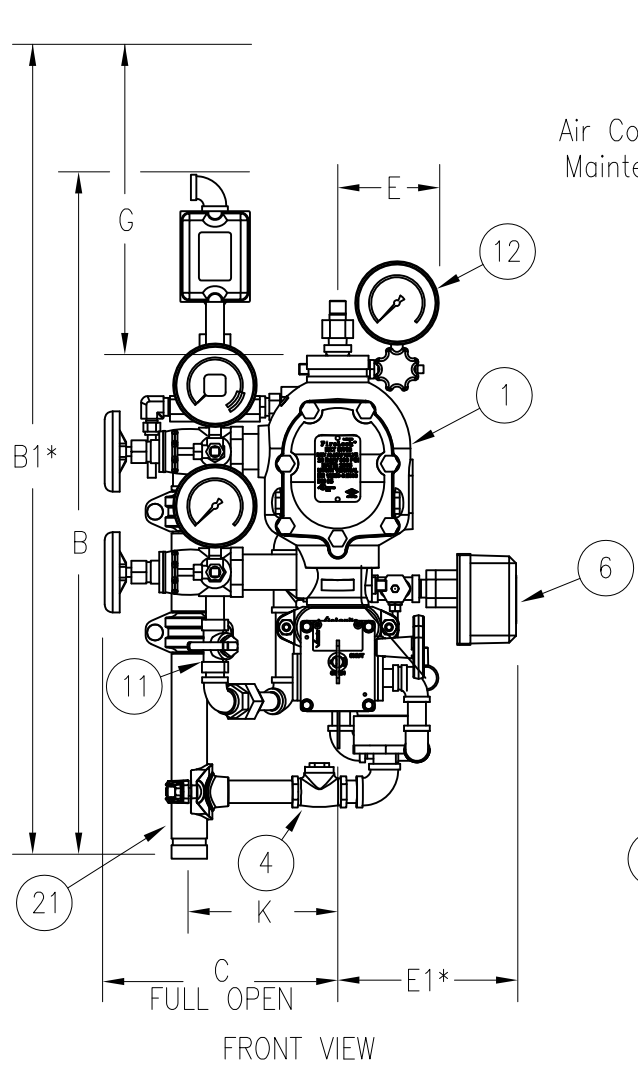


PRODUCT LEGEND	
1	Series 768 Firelock NXT Dry Valve (see Submittal 30.80)
	Vic Quick Riser
2	FireLock Rigid Couplings 005, 009, 009V
3	Series 705W Butterfly Valve (Optional)
4	Drain Swing Check Valve
5	Drip Cup
6	System Sensor EPS10-2 Alarm Pressure Switch
7	Series 729 Drip Check Valve
8	Diaphragm-Charge-Line Ball Valve (Normally Open)
9	3-in-1 Strainer/Check/Restrictor Assembly
10	Series 760 Water Motor Alarm (Optional)
11	Alarm Test Ball Valve
12	Diaphragm-Charge-Line Pressure Gauge (0-300psi/0-2068kPa)
13	Series 749 Auto Drain
14	Series 746-LPA Dry Accelerator Assembly (Optional)(Not Shown)
15	Series 776 Low-Pressure Actuator
16	Air Manifold
17	EPS-45-2V Supervisory Switch (Optional)
18	System Pressure Gauge (0-80 psi/0-552kPa with Retard)
19	Water Supply Main Drain Valve - Flow Test
20	Water Supply Pressure Gauge (0-300psi/0-2068kPa)
21	Drain Connection Kit (Optional)
22	Gauge Valve
23	System Main Drain Valve
24	Series 748 Ball Check Valve
25	
26	Air Feed Valve Assembly (Not Shown)
27	System Air Line Strainer (Not Shown)
28	
29	
30	Auto Vent for 776 Low Pressure Actuator
31	Series 720 Testmaster
32	Upright Sprinkler - Victaulic Model V2703/V2704
33	System Sensor PDRP 1001/PDRP 2001 Control Panel
34	
35	
36	8" Supervisory Bell: System Sensor SSM24-8, 24VDC, Polarized
37	6" Trouble Bell: System Sensor SS24-6, 24VDC, Polarized
38	Horn/Strobe: (Waterflow) System Sensor P1224MC (RED), 24VDC, Polarized
39	
40	Air Maintenance Device Victaulic 757/757P with pressure switch
41	(Optional Series 75D Water Column Drain Kit) not shown
42	Firelock Tee 002
SEE VICTAULIC PUBLICATION 10.01 FOR DETAILS OF APPROVALS	
UL/FM APPROVED NYC MEA-248-98-E Volume 3	



**SERIES 768 FIRELOCK NXT DRY VALVE WITH SERIES 776 LOW PRESSURE ACTUATOR**

Nominal Size Inches	A	A1*	B	B1*	C	D	D1*	E	E1*	F	G	H	J	K	WITHOUT TRIM LBS.	WITH TRIM LBS.
1 1/2"	9.00	16.43	27.25	39.50	13.75	16.00	-	5.25	8.50	9.50	21.25	3.04	9.17	6.98	16.7	43.0
2"	9.00	16.43	27.25	39.50	13.75	16.00	-	5.25	8.50	9.50	21.25	3.04	9.17	6.98	17.0	43.0
2-1/2"	12.61	16.50	32.25	44.25	13.50	16.00	17.50	5.25	9.00	9.25	21.25	3.90	10.50	6.93	41.0	65.0
3"	12.61	16.50	32.25	44.25	13.50	16.00	17.50	5.25	9.00	9.25	21.25	3.90	10.50	6.93	41.0	65.0
4"	15.03	19.78	33.50	45.50	15.00	15.75	20.50	5.25	9.00	10.75	21.00	6.25	9.62	8.46	59.0	95.0
6"	16.00	22.00	34.00	46.00	15.50	17.00	22.00	5.25	8.50	11.50	20.50	6.20	9.62	8.84	80.0	116.0
8"	17.50	22.94	33.50	45.50	16.75	20.00	25.25	6.25	8.75	12.75	18.50	6.05	9.40	10.21	122.0	158.0

\* Measurements denoted with an asterisk take optional equipment into account.



**Victaulic** CONSTRUCTION PIPING SERVICES DIVISION

PROJECT: NXT768DV-776LPA PROJ.# \_\_\_\_\_

CUSTOMER: ... P.O.# \_\_\_\_\_

SYSTEM: SERIES 768 DRY VALVE WITH SERIES 776 LOW PRESSURE ACTUATOR

REF. DWG.: 024-768-400, SK-037

DRN.BY: RGS	DATE: 01/03/08	DRAWING NUMBER	REV.
CHK.BY: .	DATE: .	768DV-776LPA	E