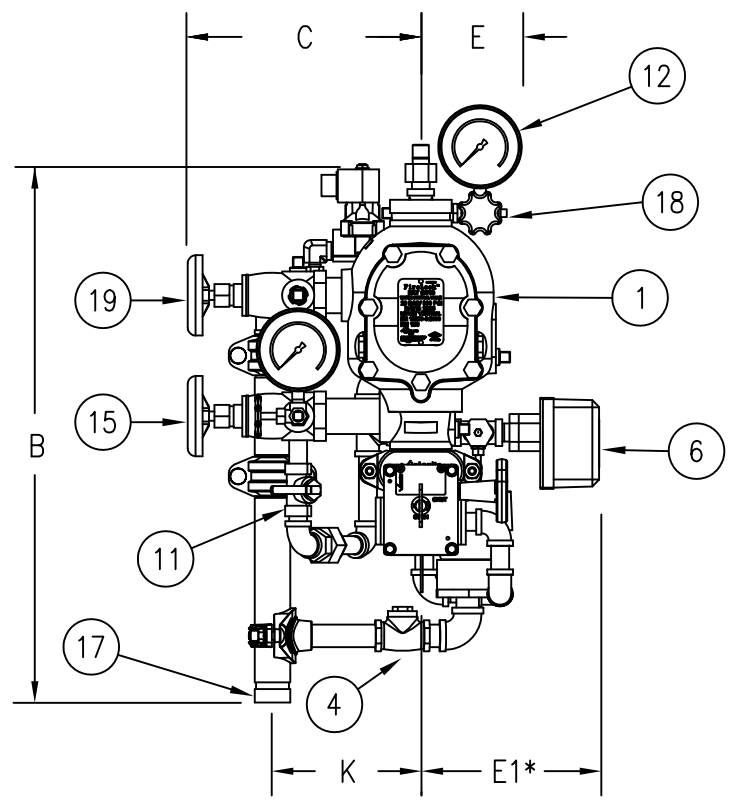
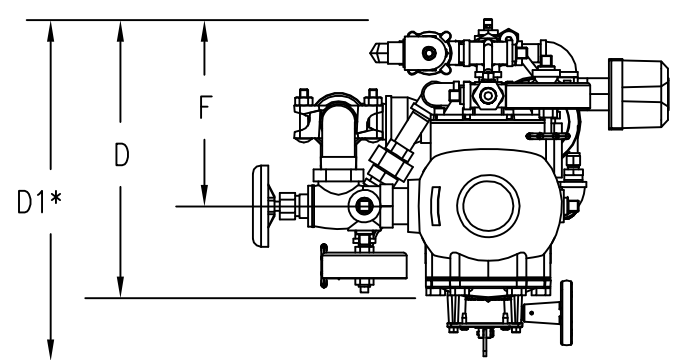


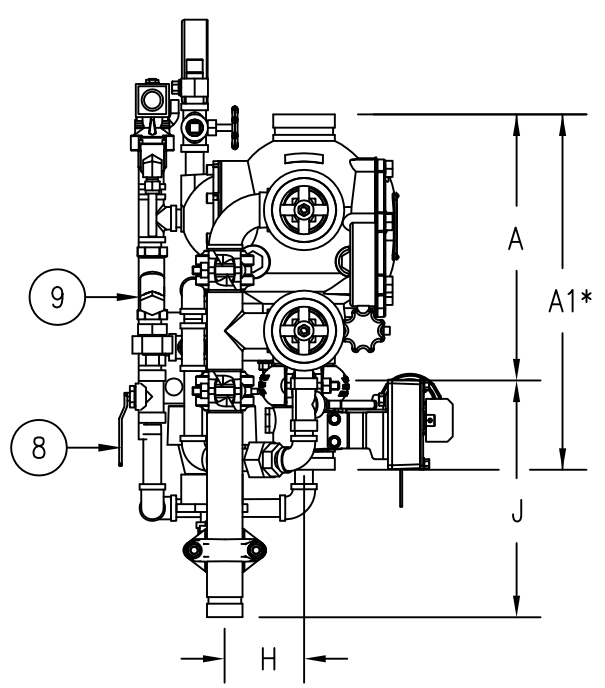
PRODUCT LEGEND	
1	Series 769 Firelock NXT Deluge Valve (see Submittal 30.81) Vic Quick Riser
2	FireLock Rigid Couplings 005, ,009, 009V
3	Series 705W Butterfly Valve (Optional)
4	Drain Swing Check Valve
5	Drip Cup
6	System Sensor EPS10-2 Alarm Pressure Switch
7	Series 729 Drip Check Valve
8	Diaphragm-Charge-Line Ball Valve (normally Open)
9	Strainer/Check/Restrictor Assembly
10	Series 760 Water Motor Alarm (Optional)
11	Alarm Test Ball Valve
12	Diaphragm-Charge-Line Pressure Gauge
13	Series 749 Auto Drain
14	
15	Water Supply Main Drain Valve - Flow Test
16	Water Supply Pressure Gauge
17	Drain Connection Kit
18	Gauge Valve
19	System Main Drain Valve
20	Series 755 Manual Pull Station
21	Series 753-E Solenoid Valve
22	
23	
24	FireLock Tee 002
25	System Sensor PDRP 1001/PDRP 2001 Control Panel
26	Ion Smoke Detector: System Sensor, 4 Wire, 24 VDC
27	Electric Pull Station: System Sensor 2099-9754
28	8" Supervisory Bell: System Sensor SSM24-8, 24VDC, Polarized
29	6" Trouble Bell: System Sensor SS24-6, 24VDC, Polarized
30	Horn/Strobe: (Waterflow) System Sensor P2R (RED), 24VDC, Polarized
31	135 Degree rate of rise and fixed temperature Heat Detector System Sensor 5621
32	Upright Sprinkler - Victaulic Model V27 (Open)
SEE VICTAULIC PUBLICATION 10.01 FOR DETAILS OF APPROVALS	
UL/FM APPROVED NYC MEA-248-98-E Volume 3	



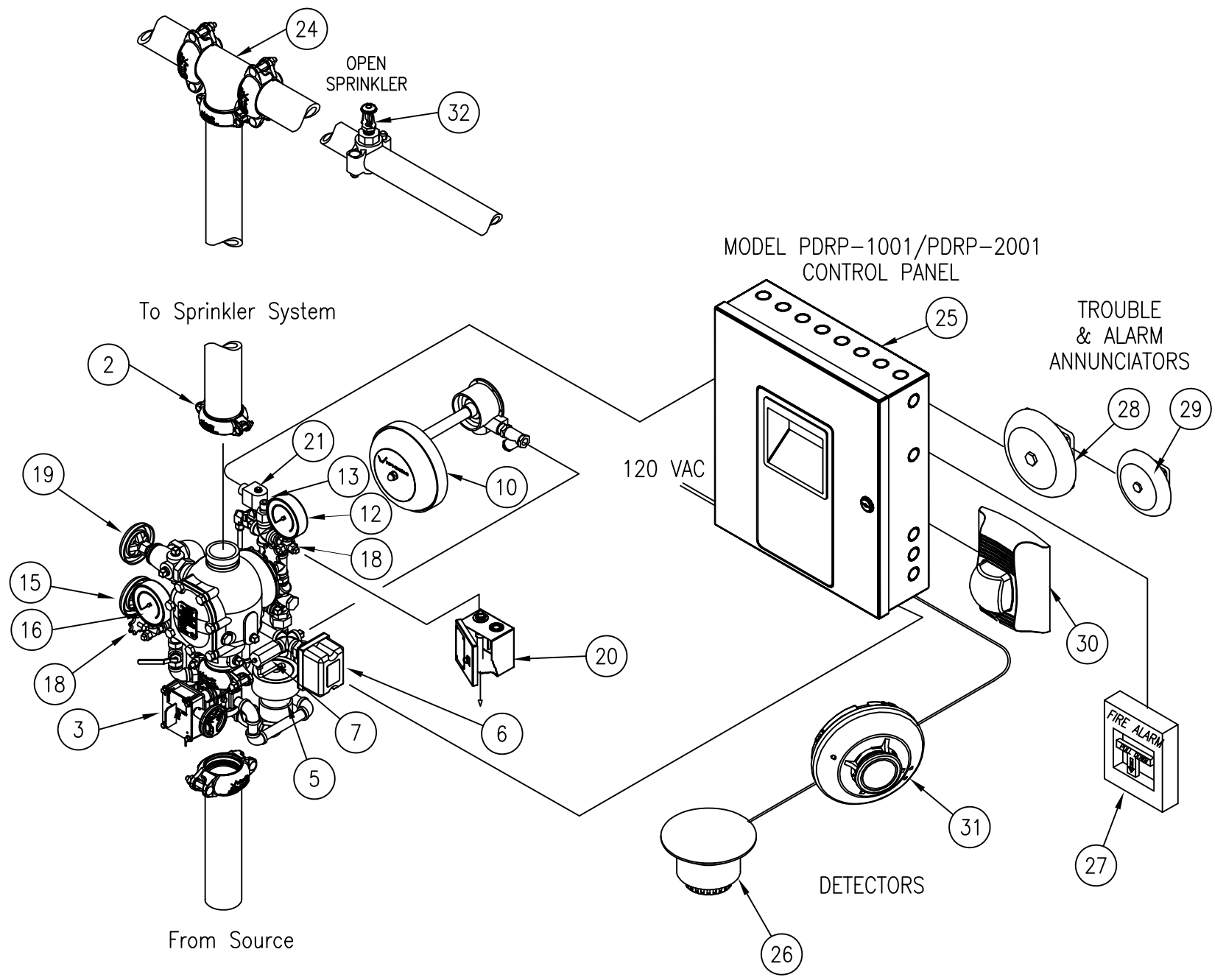
FRONT VIEW



PLAN VIEW



LEFT SIDE VIEW



SERIES 769 DELUGE VALVE W/ELECTRIC RELEASE TRIM

Nominal Size Inches	A	A1*	B	C	D	D1*	E	E1*	F	H	J	K	WITHOUT TRIM LBS.	WITH TRIM LBS.
1 1/2"	9.00	16.43	28.50	13.75	12.50	15.00	5.25	8.50	9.25	3.04	9.17	6.98	16.7	43.0
2"	9.00	16.43	28.50	13.75	12.50	15.00	5.25	8.50	9.25	3.04	9.17	6.98	17.0	43.0
2 1/2"	12.61	16.50	32.25	13.50	13.50	17.50	5.25	9.00	9.25	3.90	10.50	6.93	41.0	65.0
3"	12.61	16.50	32.25	13.50	13.50	17.50	5.25	9.00	9.25	3.90	10.50	6.93	41.0	65.0
4"	15.03	19.78	33.50	15.00	15.75	20.50	5.50	9.00	10.75	6.25	9.62	8.46	59.0	95.0
6"	16.00	22.00	33.75	15.50	16.75	22.00	6.00	8.50	11.25	6.20	9.62	8.84	80.0	116.0
8"	17.50	22.94	33.50	16.75	19.75	25.25	7.00	8.75	12.75	6.05	9.40	10.21	122.0	158.0

* Measurements denoted with an asterisk take optional equipment into account.



Victaulic CONSTRUCTION PIPING SERVICES DIVISION

PROJECT: NTX769-DE PROJ.# _____

CUSTOMER: ... P.O.# _____

SYSTEM: SERIES 769 DELUGE VALVE W/ELECTRIC RELEASE TRIM

REF. DWG.: 024-769-600, SK-028

DRN.BY: RGS	DATE: 02/15/08	DRAWING NUMBER	REV.
CHK.BY: .	DATE: .	769DV-E	D