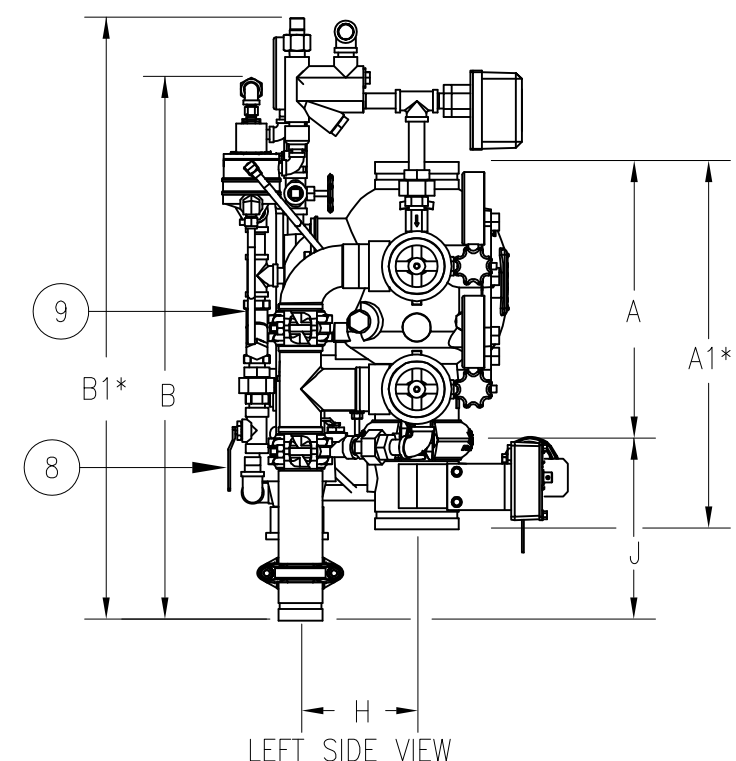
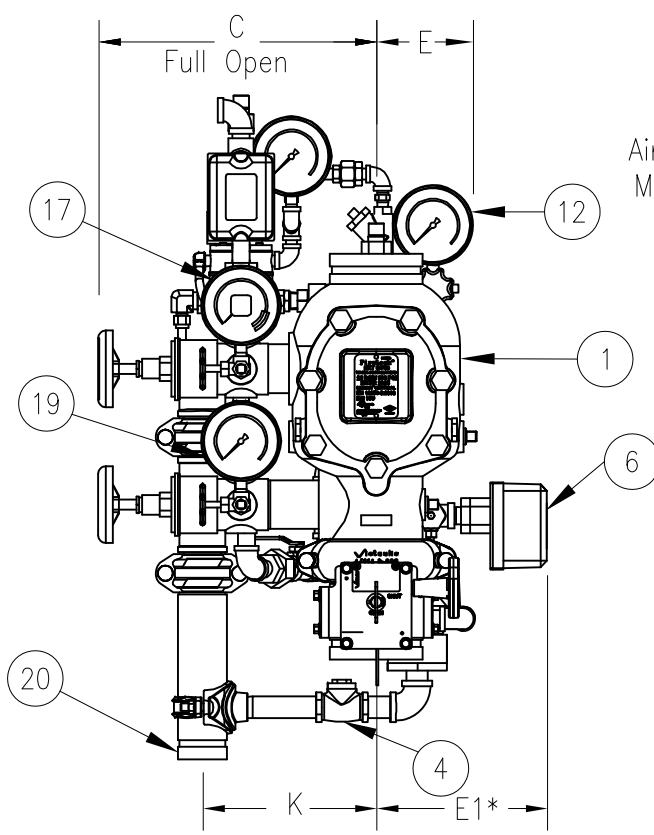
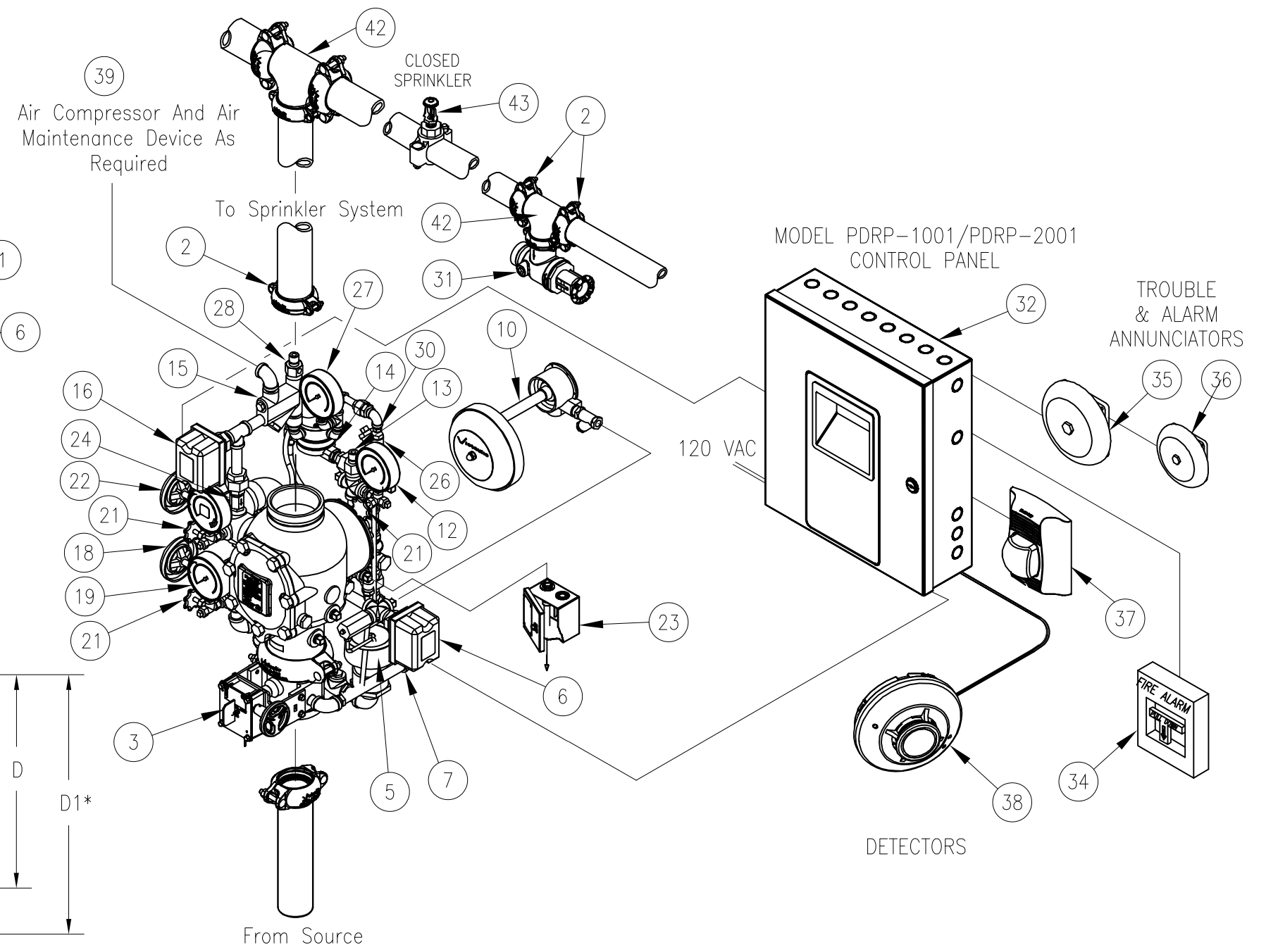


PRODUCT LEGEND	
1	Series 769 Firelock NXT Preaction Valve (see Submittal 30.82) Vic Quick Riser
2	FireLock Rigid Couplings 005, 009
3	Series 705W Butterfly Valve (Optional)
4	Drain Swing Check Valve
5	Drip Cup
6	System Sensor EPS10-2 Alarm Pressure Switch
7	Series 729 Drip Check Valve
8	Diaphragm-Charge-Line Ball Valve (normally open)
9	3-in-1 Strainer/Check/Restrictor Assembly
10	Series 760 Water Motor Alarm (Optional)
11	Alarm Test Ball Valve
12	Diaphragm-Charge-Line Pressure Gauge (0-300psi/0-2068kPa)
13	Series 749 Auto Drain
14	Series 767 Electric/Pneumatic Actuator
15	Air Manifold
16	EPS10-2V or EPSA10-2V Supervisory Switch (Optional)
17	System Pressure Gauge (0-80 psi/0-552kPa with Retard)
18	Water Supply Main Drain Valve - Flow Test
19	Water Supply Pressure Gauge (0-300 psi/0-2068 kPa)
20	Drain Connection Kit (Optional)
21	Gauge Valve
22	System Main Drain Valve
23	Series 755 Manual Pull Station
24	Series 748 Ball Check Valve
25	Series 746-LPA Dry Accelerator (not shown)
26	Upper Chamber Strainer (100 Mesh)
27	Upper Chamber Pressure Gauge for Series 767 E/P Actuator
28	Auto Vent for Series 767 E/P Actuator
29	Upper Chamber Inlet Restrictor for Series 767 E/P (not shown)
30	Upper Chamber Check Valve for Series 767 E/P Actuator
31	Series 720 Testmaster
32	System Sensor PDRP 1001/ PDRP 2001 Control Panel
33	Not Used
34	Electric Pull Station: System Sensor 2099-9754
35	8" Supervisory Bell: System Sensor SSM24-8, 24VDC, Polarized
36	6" Trouble Bell: System Sensor SS24-6, 24VDC, Polarized
37	Horn/Strobe: (Waterflow) System Sensor P1224MC (RED), 24VDC, Polarized
38	135 Degree rate of rise and fixed temperature Heat Detector System Sensor 5621 / 5601P
39	Air Maintenance Device Victaulic 757/757P with pressure switch
40	(Optional Series 75D Water Column Drain Kit) not shown
41	(Optional Series 746-LPA Dry Accelerator) not shown
42	Firelock Tee 002
43	Upright Sprinkler - Victaulic Model V2703/V2704
SEE VICTAULIC PUBLICATION 10.01 FOR DETAILS OF APPROVALS	
UL/FM APPROVED NYC MEA-248-98-E Volume 3	

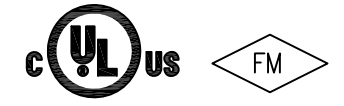


* Measurements denoted with an asterisk take optional equipment into account.



SERIES 769 PREACTION VALVE W/PNEUMATIC/ELECTRIC RELEASE TRIM DOUBLE-INTERLOCK

Nominal Size Inches	A	A1*	B	B1*	C	D	D1*	E	E1*	F	G	H	J	K	WITHOUT TRIM LBS.	WITH TRIM LBS.
1 1/2"	9.00	16.43	28.00	42.75	13.75	16.00	15.00	5.25	8.50	9.50	24.50	3.04	9.17	6.98	16.7	43.0
2"	9.00	16.43	28.00	42.75	13.75	16.00	15.00	5.25	8.50	9.50	24.50	3.04	9.17	6.98	17.0	43.0
2-1/2"	12.61	16.50	31.25	45.75	13.50	16.25	18.00	5.25	9.00	9.75	22.75	3.90	10.50	6.93	41.0	65.0
3"	12.61	16.50	31.25	45.75	13.50	16.25	18.00	5.25	9.00	9.75	22.75	3.90	10.50	6.93	41.0	65.0
4"	15.03	19.78	32.75	47.50	15.00	16.25	20.75	5.50	9.00	11.25	22.75	6.25	9.62	8.46	59.0	100.0
6"	16.00	22.00	32.75	47.50	15.50	17.25	22.25	6.00	8.50	11.50	21.75	6.20	9.62	8.84	80.0	121.0
8"	17.50	22.94	32.50	47.00	16.75	20.00	25.50	7.00	8.75	13.00	20.25	6.05	9.40	10.21	122.0	163.0



Victaulic CONSTRUCTION PIPING SERVICES DIVISION

PROJECT: NTX769PV-PEDI PROJ.# _____

CUSTOMER: ... P.O.# _____

SYSTEM: SERIES 769 PREACTION VALVE W/PNEUMATIC/ELECTRIC RELEASE TRIM DOUBLE-INTERLOCK

REF. DWG.: 024-769-530, SK-035

DRN.BY: RGS	DATE: 12/21/07	DRAWING NUMBER	REV.
CHK.BY: .	DATE: .	769PV-PEDI	C