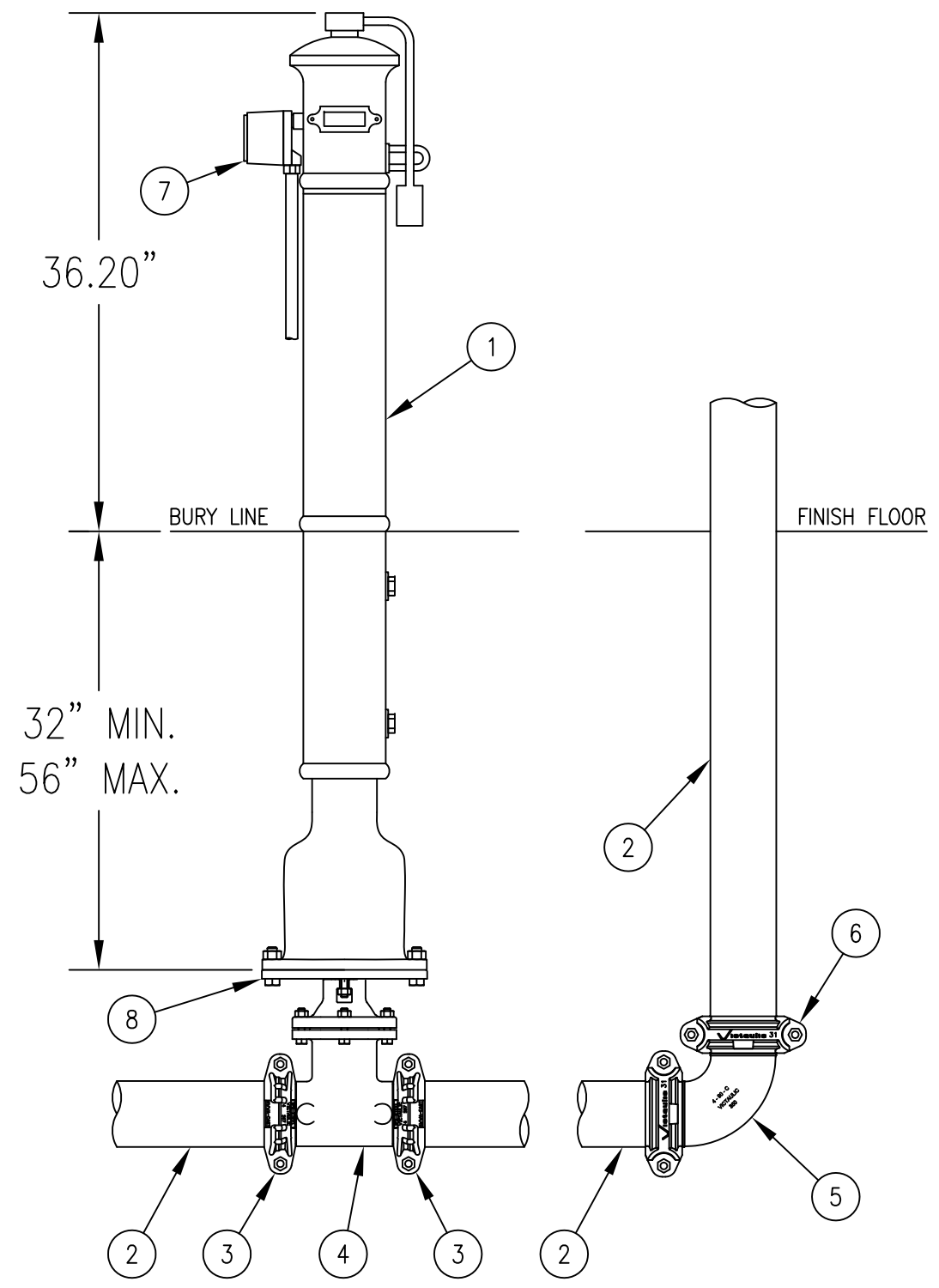
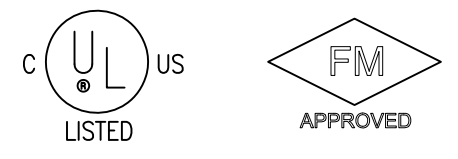


PRODUCT LEGEND	
1	VIC UPRIGHT POST INDICATOR SERIES 774
2	CLASS 53 DUCTILE IRON PIPE
3	VIC AWWA TRANSITION COUPLING STYLE 307
4	VIC NRS GATE VALVE SERIES 772H (GXG)
5	VIC AWWA 90° ELBOW NO. 10-C
6	VIC AWWA COUPLING STYLE 31
7	SYSTEM SENSOR SUPERVISORY SWITCH PIBV2 FOR POST INDICATOR
8	MOUNTING PLATE *
SEE VICTAULIC SUBMITTAL NUMBER 10.92	



UPRIGHT POST INDICATOR



- NOTES:
1. REFER TO VICTAULIC SUBMITTAL 10.92 FOR ADDITIONAL DETAILS.
  2. ITEM NUMBER 1 REFERENCE MANUFACTURERS INSTALLATION GUIDELINES, AND MOUNTING INSTRUCTIONS.
  3. \* SERIES 772H AND SERIES 772F NRS GATE VALVES MUST BE EQUIPPED WITH A MOUNTING PLATE IF USED WITH THE SERIES 774 UPRIGHT POST INDICATOR.

<b>Victaulic</b>		CONSTRUCTION PIPING SERVICES DIVISION	
PROJECT: UPRIGHT POST INDICATOR		PROJ.# . _____	
CUSTOMER: . _____		P.O.# . _____	
SYSTEM: SERIES 774 & SERIES 772H			
REF. DWG.: VICTAULIC SUBMITTAL 10.92		#038	
DRN.BY: RGS	DATE: 06/05/09	DRAWING NUMBER	REV.
CHK.BY: .	DATE: .	774-772H	D