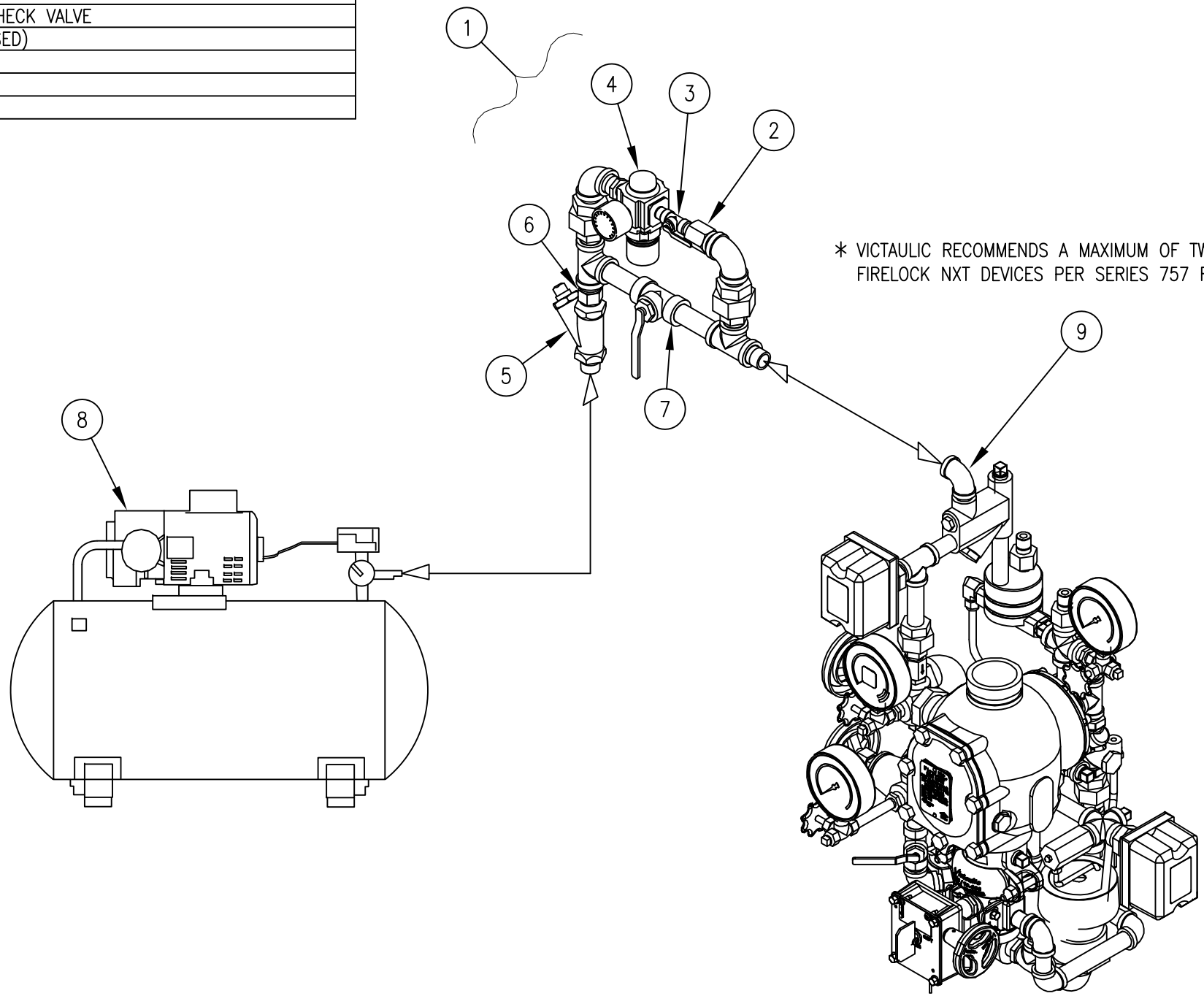


PRODUCT LEGEND	
1	FIRELOCK AIR MAINTENANCE TRIM ASSEMBLY SERIES 757
2	1/8"-3.2 MM RESTRICTOR
3	SLOW FILL BALL VALVE (NORMALLY OPEN)
4	AIR REGULATOR
5	STRAINER (100 MESH)
6	SPRING-LOADED, SOFT-SEATED BALL CHECK VALVE
7	FAST FILL BALL VALVE (NORMALLY CLOSED)
8	TANK MOUNTED AIR COMPRESSOR
9	FIRELOCK NXT DEVICE
SEE VICTAULIC SUBMITTAL NUMBER 30.35	



* VICTAULIC RECOMMENDS A MAXIMUM OF TWO FIRELOCK NXT DEVICES PER SERIES 757 REGULATED AMTA

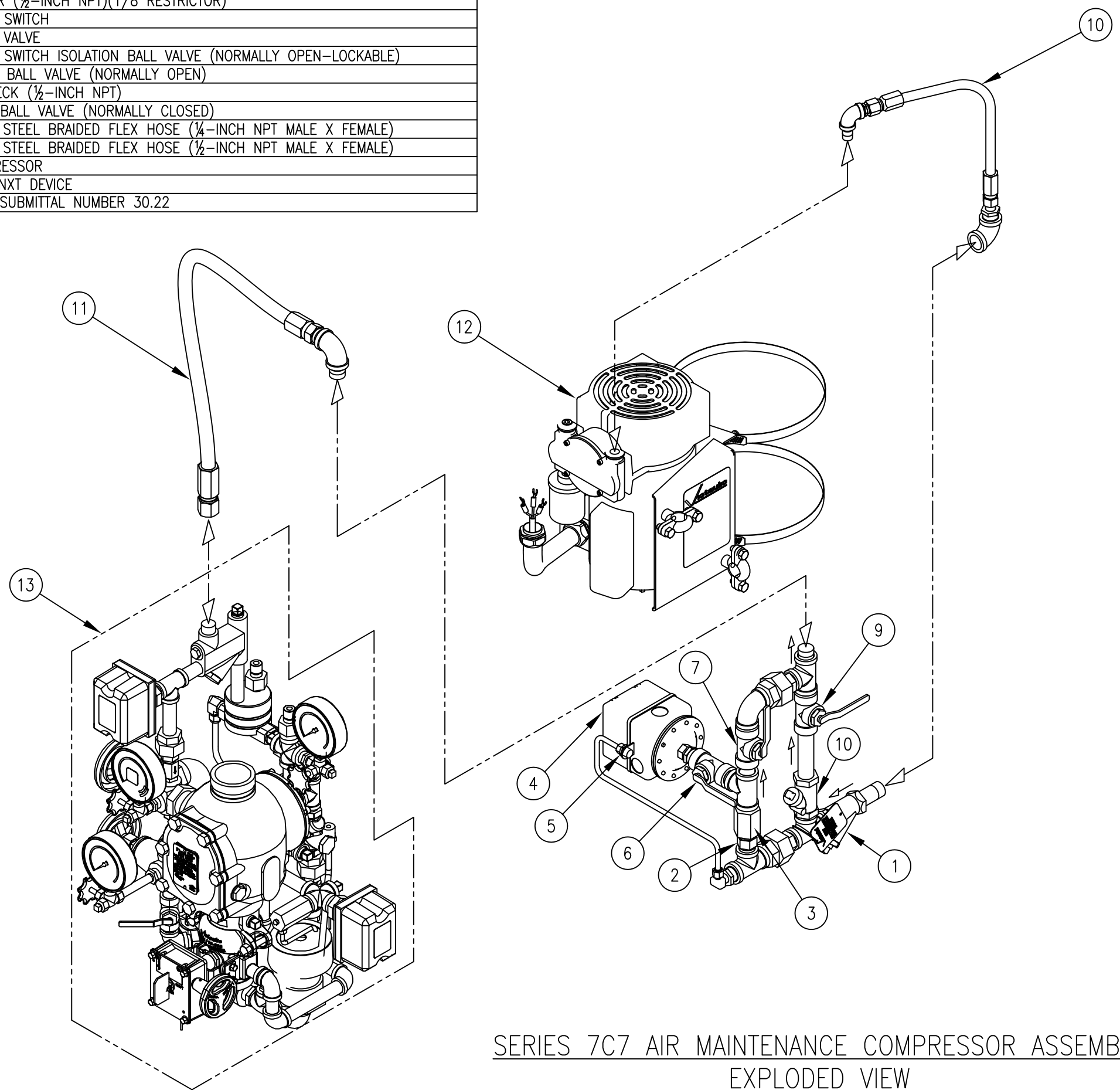


- NOTES:
1. REFER TO VICTAULIC SUBMITTAL 30.35 FOR ADDITIONAL DETAILS.
 2. ISOLATE MULTIPLE SYSTEMS WITH INDIVIDUAL SPRING LOADED SOFT-SEATED BALL CHECK VALVES.

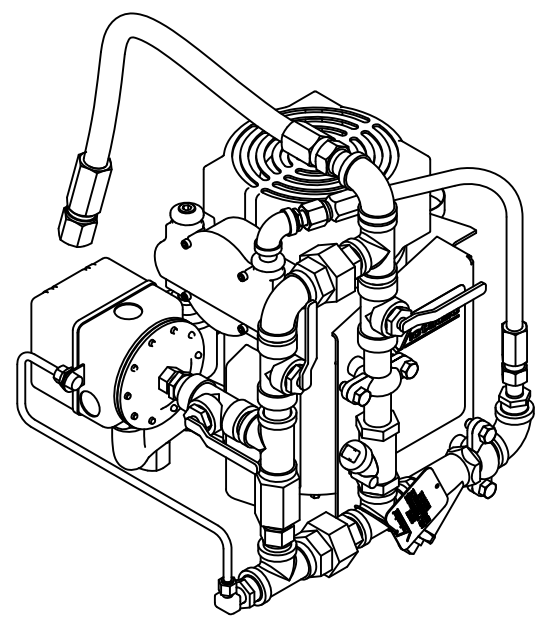
TANK MOUNTED AIR SUPPLY REGULATED BY SERIES 757

Victaulic		CONSTRUCTION PIPING SERVICES DIVISION	
PROJECT: AIR SUPPLY DETAIL		PROJ.# .	
CUSTOMER: .		P.O.# .	
SYSTEM: STYLE 757			
REF. DWG.: VICTAULIC SUBMITTAL 30.35			#035
DRN.BY: RGS	DATE: 02/12/09	DRAWING NUMBER	REV.
CHK.BY: .	DATE: .	757-TMAS	D

PRODUCT LEGEND	
1	STRAINER (1/2-INCH NPT)
2	SPRING-LOADED, SOFT-SEATED CHECK VALVE
3	RESTRICTOR (1/2-INCH NPT)(1/8 RESTRICTOR)
4	PRESSURE SWITCH
5	UNLOADER VALVE
6	PRESSURE SWITCH ISOLATION BALL VALVE (NORMALLY OPEN-LOCKABLE)
7	SLOW-FILL BALL VALVE (NORMALLY OPEN)
8	SWING CHECK (1/2-INCH NPT)
9	FAST FILL BALL VALVE (NORMALLY CLOSED)
10	STAINLESS STEEL BRAIDED FLEX HOSE (1/4-INCH NPT MALE X FEMALE)
11	STAINLESS STEEL BRAIDED FLEX HOSE (1/2-INCH NPT MALE X FEMALE)
12	AIR COMPRESSOR
13	FIRELOCK NXT DEVICE
SEE VICTAULIC SUBMITTAL NUMBER 30.22	



SERIES 7C7 AIR MAINTENANCE COMPRESSOR ASSEMBLY
EXPLODED VIEW



SERIES 7C7 AIR MAINTENANCE
COMPRESSOR ASSEMBLY

NOTES:
1. REFER TO VICTAULIC SUBMITTAL 30.22 FOR
ADDITIONAL DETAILS.

Victaulic		CONSTRUCTION PIPING SERVICES DIVISION	
PROJECT: AIR SUPPLY DETAIL		PROJ.# _____	
CUSTOMER: _____		P.O.# _____	
SYSTEM: STYLE 7C7			
REF. DWG.: VICTAULIC SUBMITTAL 30.22		#036	
DRN.BY: RGS	DATE: 02/17/09	DRAWING NUMBER	REV.
CHK.BY: .	DATE: .	7C7-757P	E