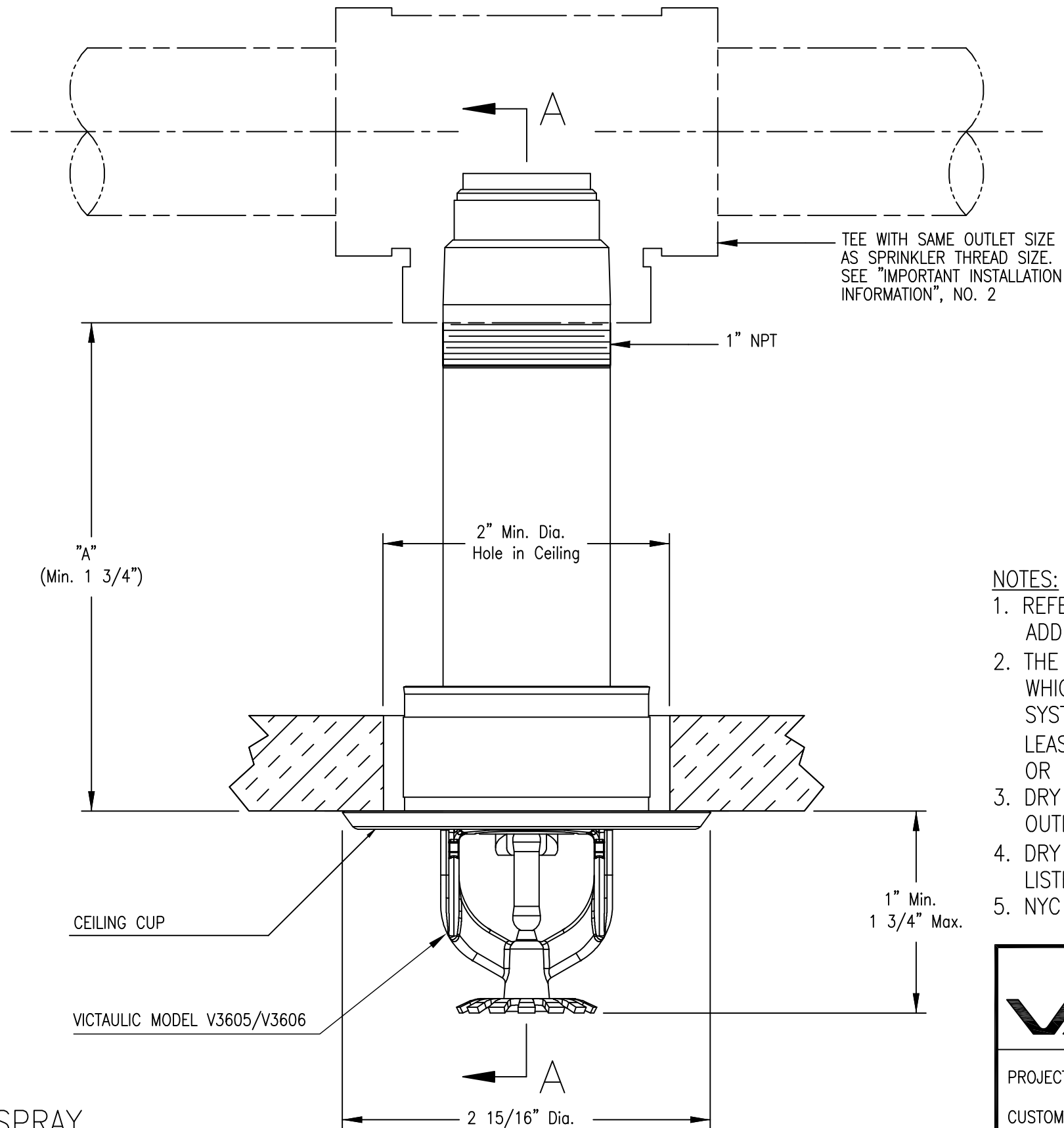


SECTION A-A

DRY TYPE STANDARD SPRAY
 RECESSED PENDENT
 V3605 STANDARD RESPONSE
 V3606 QUICK RESPONSE



RECESSED



TEE WITH SAME OUTLET SIZE
 AS SPRINKLER THREAD SIZE.
 SEE "IMPORTANT INSTALLATION
 INFORMATION", NO. 2

1" NPT

2" Min. Dia.
 Hole in Ceiling

"A"
 (Min. 1 3/4")

1" Min.
 1 3/4" Max.

CEILING CUP

VICTAULIC MODEL V3605/V3606

2 15/16" Dia.

NOTES:

1. REFER TO VICTAULIC SUBMITTAL 40.60 FOR ADDITIONAL DETAIL.
2. THE "A" DIMENSION OF A DRY SPRINKLER WHICH EXTENDS INTO FREEZERS FROM WET PIPE SYSTEM SHOULD BE SIZED TO PROVIDE AT LEAST 14" BETWEEN THE FREEZER'S OUTSIDE WALL OR CEILING AND THE WET PIPE.
3. DRY SPRINKLERS MUST BE INSTALLED INTO THE OUTLET OF A CAST OR MALLEABLE IRON TEE.
4. DRY SPRINKLERS ABOVE 48" ARE NOT UL/C-UL LISTED.
5. NYC MEA-275-99-E VOLUME 2



CONSTRUCTION PIPING
 SERVICES DIVISION

PROJECT: SPRK-V3605/V3606 PROJ.# _____

CUSTOMER: _____ P.O.# _____

SYSTEM: V3605/V3606 DRY TYPE STANDARD SPRAY PENDENT - RECESSED

REF. DWG.: VICTAULIC SUBMITTAL 40.60 & SK043B

DRN.BY: RGS	DATE: 03/10/08	DRAWING NUMBER	REV.
CHK.BY: .	DATE: .	V3605/V3606	G