

VICTAULIC AQUAFLEX

**SERIES AQB & SERIES AQU FLEXIBLE
SPRINKLER FITTINGS**

DES. **R. LA BRIE**

JOB NO. **11-0948**

DATE **10/26/09**

SHEET

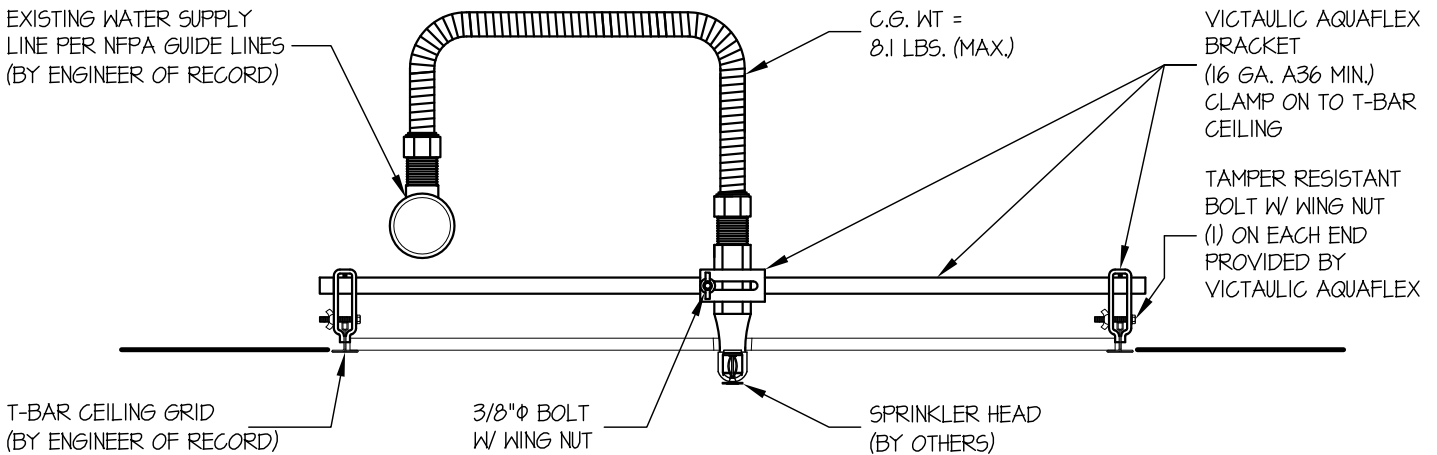
1

OF **2** SHEETS

SEISMIC ANCHORAGE PRE-APPROVED DETAIL

CEILING MOUNT

**Office of Statewide Health Planning and Development
ANCHORAGE PRE-APPROVAL**



ELEVATION

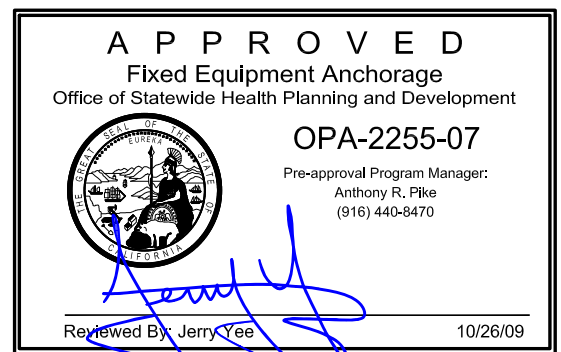
GENERAL NOTES:

1. ANCHORAGE DESIGN PER 2007 CALIFORNIA BUILDING CODE - SECTION 1613A AND ASCE 7-05 SECTIONS 12 AND 13. ALLOWABLE STRESS DESIGN IS USED.

HORIZONTAL FORCE (E_h) = $2.43 W_p$ ($S_d_s = 1.93, a_p = 2.5, I_p = 1.5, R_p = 2.5$)

VERTICAL FORCE (E_v) = $0.27 W_p$

2. ENGINEER OF RECORD FOR THE BUILDING SHALL PROVIDE SUPPORT STRUCTURE DESIGNED TO SUPPORT WEIGHTS AND FORCES SHOWN.



VICTAULIC AQUAFLEX

**SERIES AQB & SERIES AQU FLEXIBLE
SPRINKLER FITTINGS**

DES. **R. LA BRIE**

JOB NO. **11-0948**

DATE **10/26/09**

SHEET

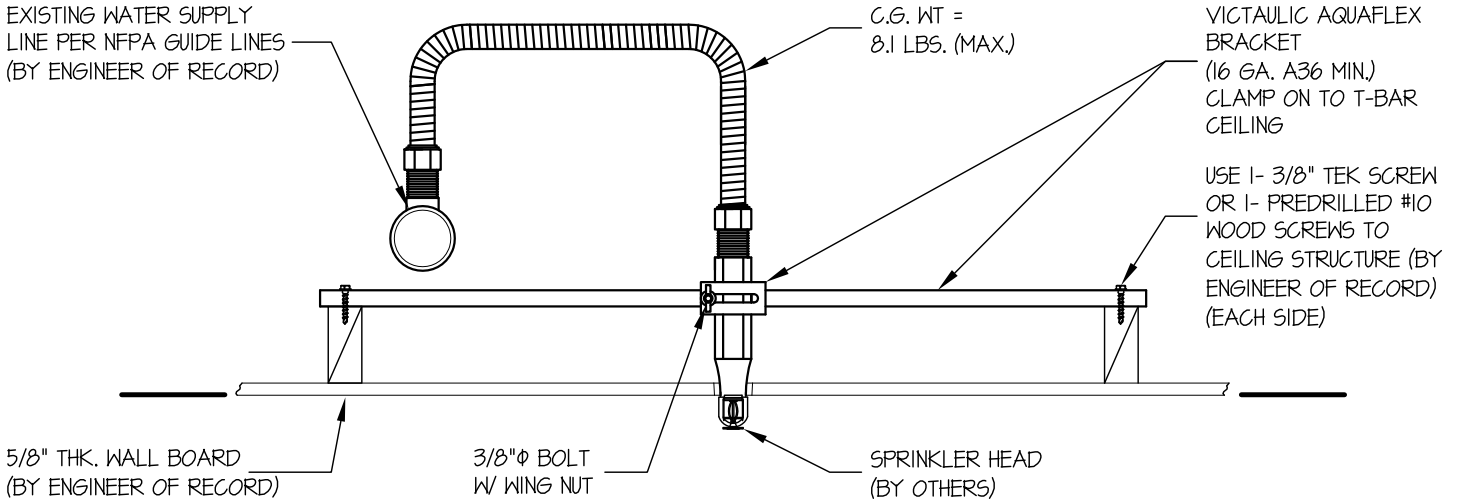
2

OF **2** SHEETS

SEISMIC ANCHORAGE PRE-APPROVED DETAIL

CEILING MOUNT

**Office of Statewide Health Planning and Development
ANCHORAGE PRE-APPROVAL**



ELEVATION

GENERAL NOTES:

1. ANCHORAGE DESIGN PER 2007 CALIFORNIA BUILDING CODE - SECTION 1613A AND ASCE 7-05 SECTIONS 12 AND 13. ALLOWABLE STRESS DESIGN IS USED.

HORIZONTAL FORCE (E_h) = $2.43 W_p$ ($S_d s = 1.93, a_p = 2.5, I_p = 1.5, R_p = 2.5$)

VERTICAL FORCE (E_v) = $0.27 W_p$

2. ENGINEER OF RECORD FOR THE BUILDING SHALL PROVIDE SUPPORT STRUCTURE DESIGNED TO SUPPORT WEIGHTS AND FORCES SHOWN.

