

# Series 7S2 Shouldered Gate Valve for Shouldered Steel Pipe

## Shoulder X Shoulder



Series 7S2 Gate Valve

### Product Description:

Victaulic Series 7S2 shouldered gate valves are manufactured in accordance with AS-2638.2 and are designed for service up to 25 bar.

The gate valves feature only three internal parts making maintenance simple. The gate is rubber encapsulated for true compression sealing and reduction of wear and jamming. Full bore is maintained for a smooth inner flow path.

Victaulic Shouldered Gate Valves are only available with a Non-Rising Stem (NRS) operator. When installed using Victaulic Style SC77 installation-ready shouldered couplings, the shouldered gate valve assembly is up to 1/3 less weight than a flanged valve.

### Material Specifications:

**Valves are manufactured in accordance with AS-2638.2**

**Body:** Ductile iron conforming to ASTM A-536 grade 65-45-12

**Body Gasket:** EPDM conforming to ASTM D-2000

**Body Bolts:** Plated Steel w/ Plastic Covers conforming to ASTM A-307

**Handwheel:** Ductile iron conforming to ASTM A-536 grade 65-45-12

**Bonnet:** Ductile iron conforming to ASTM A-536 grade 65-45-12

**Bonnet/Body Coating:** Fusion bonded Epoxy coating

**Gate:** Ductile iron conforming to ASTM A-536 65-45-12, EPDM coated ASTM D-2000

**Gate Stem Nut:** Bronze, conforming to ASTM B-62

**Stem:** Stainless Steel, conforming to ASTM A276 431SS

**O-Ring Seals:** EPDM, ASTM D-2000

Valves are designed for service up to 25 bar

### Job/Owner

System No.	
Location	

### Contractor

Submitted By	
Date	

### Engineer

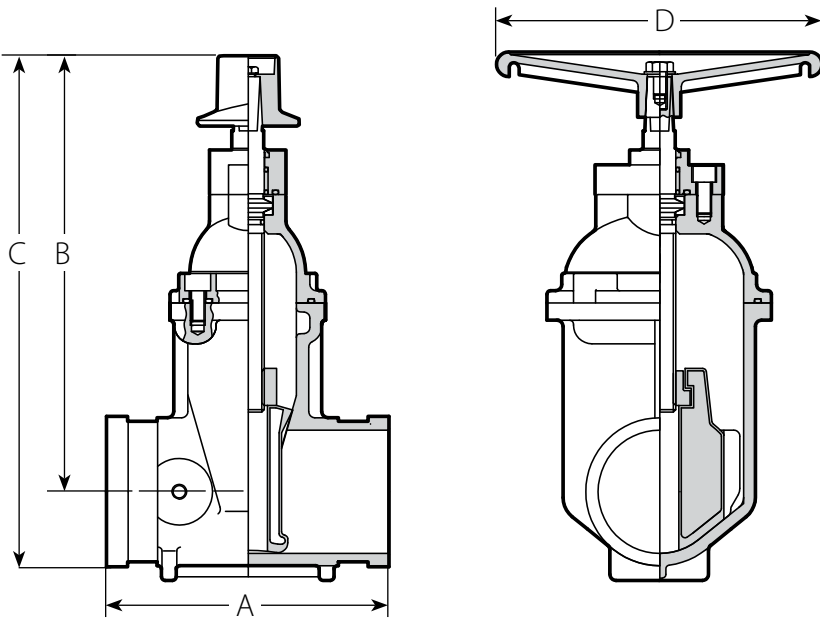
Spec Section	
Paragraph	
Approved	
Date	

### Shouldered Steel Pipe | Valves | Publication 08.43

08.43 7656 Rev. A Updated 11/2013 © 2013 Victaulic Company. All rights reserved.

**Shouldered Gate Valve**

7S2 Shouldered x Shouldered



Series 7S2 Gate Valve

Nominal Size DN inches	Actual Outside Diameter mm inches	Shoulder Outside Diameter mm inches	Dimensions mm/inches				Approx. Weight Each kg lbs
			A	B	C	D	
80 3	88.9 3.500	97 3.00	203 8.00	327 12.88	397 15.63	260 10.25	16.0 35.3
100 4	114.3 4.500	122 4.00	229 9.00	362 14.25	432 17.00	260 10.25	20.0 44.1
150 6	165.1 6.500	175 6.00	267 10.50	448 17.63	549 21.63	315 12.38	38.0 83.8
200 8	219.1 8.625	232 8.00	292 11.50	530 20.88	657 25.88	378 14.88	64.0 141.1

**Installation**

Reference should always be made to the installation instructions for the product you are installing. Complete product installation instructions are available in PDF format on our website at [www.victaulic.com](http://www.victaulic.com).

**Warranty**

Refer to the Warranty section of the current Price List or contact Victaulic for details.

**Note**

This product shall be manufactured by Victaulic or to Victaulic specifications. All products to be installed in accordance with current Victaulic installation/assembly instructions. Victaulic reserves the right to change product specifications, designs and standard equipment without notice and without incurring obligations.

**Trademarks**

Victaulic is a registered trademark of Victaulic Company.