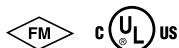


## V36 Dry Sprinkler with Integral Style AB6 Assembly



### Approvals/Listings:



[See Victaulic Publication 10.01 for more details.](#)

### Product Description:

The VicFlex™ V36 Dry Sprinkler with Integral Style AB6 Bracket Assembly provides dry sprinkler installation in cold storage applications utilizing a V36 Dry Sprinkler, flexible stainless steel hose, and steel bracket assembly. This assembly is suitable for wet sprinkler systems only. Refer to the Installation Instructions, I-VICFLEX.AB6, for all applicable ceiling and wall specifications and installation details.

#### • V36 Dry Sprinkler:

Please refer to submittal publication number 40.60, 40.61 or 40.64 for FM data on the following models and styles:

**Model:** V3605, V3606, V3607, V3608, V3609, V3610

**Style:** Pendent, Horizontal Sidewall (Flush, Sleeve/Skirt Only)

#### • Hose:

Series AH2, 1" Nominal ID Braided Hose

Note: Reducer not included with AB6 assembly. Nominal hose lengths include 5.75"/140mm standard reducer for wet systems. Please make appropriate deductions when calculating necessary hose lengths.

#### • Bracket:

Style AB6 for cold storage applications, factory assembled to V36 Dry Sprinkler

### Job/Owner

System No.	
Location	

### Contractor

Submitted By	
Date	

### Technical Specifications:

#### V36 Dry Sprinkler –

#### Maximum K-Factor of Sprinkler:

- K8.0/11,5 (S.I.)

#### Series AH2 Braided Hose –

**Maximum Working Temperature:** 225°F/107°C

#### Maximum Working Pressure:

- 175 psi/1375 kPa

#### Connections:

To branch line (inlet) via 1"/25 mm NPT/BSPT male thread

#### Minimum Bend Radius of Flexible Hose:

- 7"/178 mm (FM Approval)
- 2"/51 mm (cULus Listed)

#### Maximum Number of Bends per Flexible Drop:

See friction loss charts below

### Engineer

Spec Section	
Paragraph	
Approved	
Date	

**Material Specifications:**

---

• **V36 Dry Sprinkler:**

Please refer to submittal publication number 40.60, 40.61, or 40.64 for material specifications on the following models and styles:

**Model:** V3605, V3606, V3607, V3608, V3609, V3610

**Style:** Pendent, Horizontal Sidewall (Flush, Sleeve/Skirt Only)

• **Series AH2 Braided Flexible Hose:**

**Flexible Hose:** Type 304 Stainless Steel

**Collar/Weld Fitting:** Type 304 Stainless Steel

**Gasket Seal:** Victaulic Grade EV EPDM

**Isolation Ring:** Nylon

**Nut and Nipple:** Carbon Steel, Zinc Plated

• **Style AB6 Bracket Assembly:**

**Adapter:** Carbon Steel, Zinc-Plated

**Threaded Sleeve:** Carbon Steel, Zinc-Plated

**Rubber Plug:** Silicone Rubber

**Sleeve:** Carbon Steel, Zinc-Plated / Chrome-Plated / White-Painted

**Base Plate:** Carbon Steel, Zinc-Plated / Chrome-Plated / White-Painted

**Hex Nut:** Carbon Steel, Zinc-Plated

**Internal Tooth Lock Washer:** Carbon Steel, Zinc-Plated

**O-Ring (ID of Threaded Sleeve):** Silicone Rubber

• **Optional:**

**Right Angle Adapter:** Carbon Steel, Zinc-Plated

**Wrench:** Ductile Iron

**Toggle Tool:** Aluminum

**Spacer:** Carbon Steel, Zinc-Plated

 **Friction Loss Data - Series AH2 Braided Hose for use with Style AB6 VicFlex Bracket Assembly**

Length of Stainless Steel Flexible Hose <sup>1</sup> inches	Sprinkler K-Factor	Outlet type	Series AH2 Hose	
			Equivalent Length of 1"/33.7mm Sch. 40 Pipe feet meters	Maximum Number of 90° Bends at 2"/51mm Bend Radius
31	5.6/8.1	Straight	17.0/5.2	4
		90° Elbow	17.0/5.2	
36	5.6/8.1	Straight	23.0/7.0	5
		90° Elbow	23.0/7.0	
48	5.6/8.1	Straight	37.0/11.3	8
		90° Elbow	37.0/11.3	
60	5.6/8.1	Straight	46.0/14.0	10
		90° Elbow	46.0/14.0	
72	5.6/8.1	Straight	56.0/17.1	12
		90° Elbow	56.0/17.1	
31	8.0/11.5	Straight	17.0/5.2	4
		90° Elbow	17.0/5.2	
36	8.0/11.5	Straight	23.0/7.0	5
		90° Elbow	23.0/7.0	
48	8.0/11.5	Straight	37.0/11.3	8
		90° Elbow	37.0/11.3	
60	8.0/11.5	Straight	46.0/14.0	10
		90° Elbow	46.0/14.0	
72	8.0/11.5	Straight	56.0/17.1	12
		90° Elbow	56.0/17.1	

1 Reducer not included with AB6 assembly. Nominal hose lengths include 5.75"/140mm standard reducer for wet systems. Please make appropriate deductions when calculating necessary hose lengths.

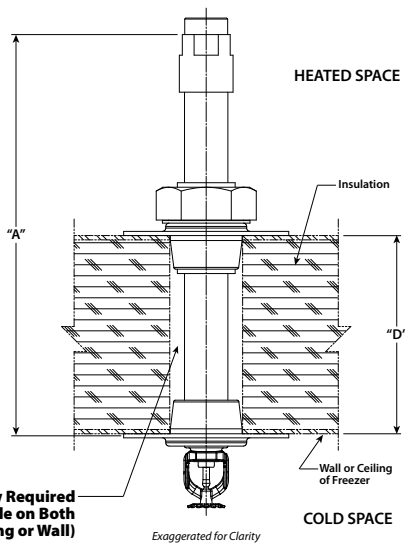


**Friction Loss Data - Series AH2 Braided Hose for use with Style AB6 VicFlex Bracket Assembly**

Length of Stainless Steel Flexible Hose <sup>2</sup> inches	Sprinkler K-Factor	Outlet type	Series AH2 Hose	
			Equivalent Length of 1"/33.7mm Sch. 40 Pipe feet meters	Maximum Number of 90° Bends at 7"/178mm Bend Radius
31	5.6/8.1	Straight	23.5/7.1	2
		90° Elbow	23/7.0	
36	5.6/8.1	Straight	27.8/8.5	2
		90° Elbow	27.7/8.4	
48	5.6/8.1	Straight	38.2/11.6	3
		90° Elbow	37.4/11.4	
60	5.6/8.1	Straight	42.4/12.9	4
		90° Elbow	43/13.1	
72	5.6/8.1	Straight	46.6/14.2	4
		90° Elbow	48.5/14.7	
31	8.0/11.5	Straight	20.7/6.3	2
		90° Elbow	20.5/6.2	
36	8.0/11.5	Straight	25.0/7.6	2
		90° Elbow	24.6/7.5	
48	8.0/11.5	Straight	35.5/10.8	3
		90° Elbow	34.7/10.6	
60	8.0/11.5	Straight	39.6/12.1	4
		90° Elbow	40.1/12.2	
72	8.0/11.5	Straight	43.5/13.2	4
		90° Elbow	45.2/13.7	

2 Reducer not included with AB6 assembly. Nominal hose lengths include 5.75"/140mm standard reducer for wet systems. Please make appropriate deductions when calculating necessary hose lengths.

### Sprinkler Barrel Length Selection

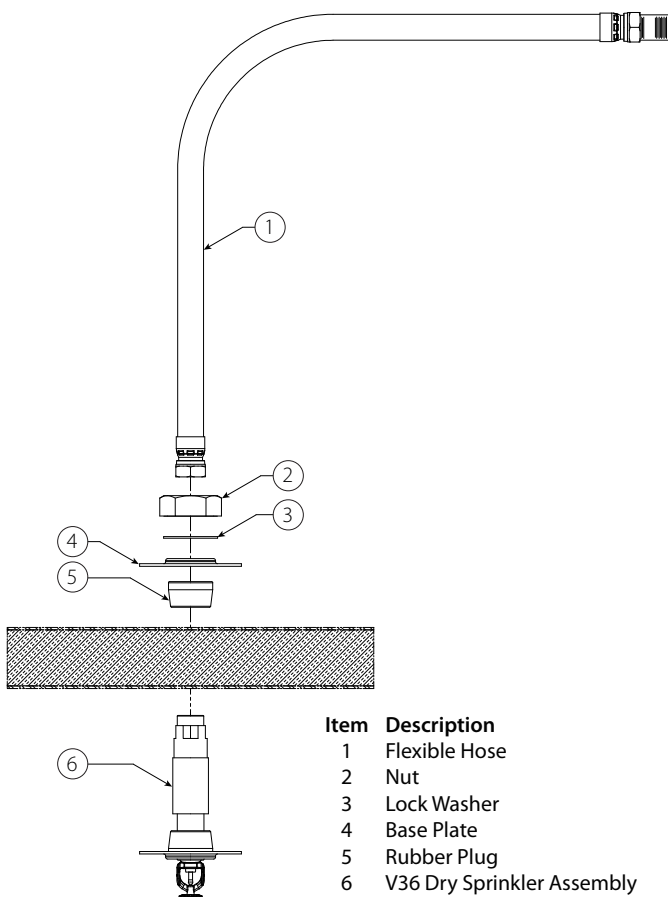


Temperature Maintained at 40°F/40°C Minimum		
Ambient Temperature Exposed to Discharge End of Sprinkler	"D" Freezer Ceiling or Wall Thickness	"A" Order Length
Down to 20°F Down to -6.7°C	3 – 6"/76 – 152 mm 6 – 1"/152 – 305 mm	10"/254 mm 16"/406 mm
19°F to 0°F -7.2°C to -17.8°C	3 – 6"/76 – 152 mm 6 – 12"/152 – 305 mm	18"/457 mm 24"/610 mm
-1°F to -20°F -18.3°C to -28.9°C	3 – 6"/76 – 152 mm 6 – 12"/152 – 305 mm	20"/508 mm 26"/660 mm
-21°F to -30°F -29.4°C to -34.4°C	3 – 6"/76 – 152 mm 6 – 12"/152 – 305 mm	22"/559 mm 28"/711 mm
-31°F to -40°F -35.0°C to -40.0°C	3 – 6"/76 – 152 mm 6 – 12"/152 – 305 mm	24"/610 mm 30"/762 mm

**Note:**

Exposed minimum barrel lengths are inclusive up to 30-mph/48-kph wind velocities.

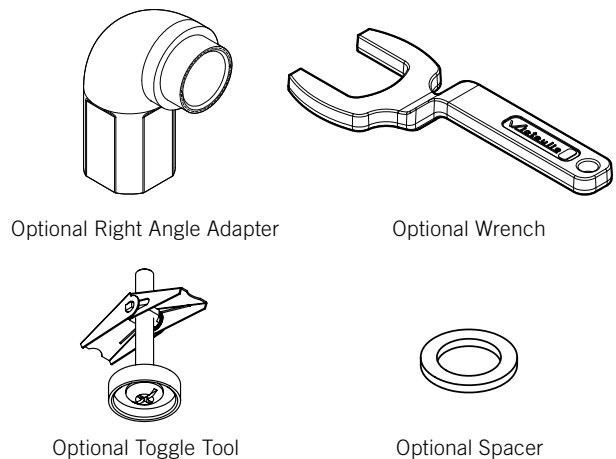
### Product Details and Optional Components



Nominal Hose Length	A
31	25.25
36	31.25
48	42.25
60	54.25
72	66.25

**Note:** Reducer not included with AB6 assembly. Nominal hose lengths include 5.75"/140mm standard reducer for wet systems. Please make appropriate deductions when calculating necessary hose lengths.

**Optional Components:**



**Assembly Weights**

Total weight (lbs) of V36 Dry Sprinkler, Series AH2 Braided Hose (water-filled), and Style AB6 assembly										
V36 AB6 Order Length "A" <sup>3</sup>	AH2-31 hose <sup>4</sup>		AH2-36 hose <sup>4</sup>		AH2-48 hose <sup>4</sup>		AH2-60 hose <sup>4</sup>		AH2-72 hose <sup>4</sup>	
	Flush	Sleeve/ Skirt	Flush	Sleeve/ Skirt	Flush	Sleeve/ Skirt	Flush	Sleeve/ Skirt	Flush	Sleeve/ Skirt
10	8.4	8.7	8.7	9.0	9.5	9.8	10.2	10.5	11.0	11.3
16	9.4	9.7	9.7	10.0	10.5	10.8	11.2	11.5	12.0	12.3
18	9.7	10.0	10.0	10.3	10.8	11.1	11.5	11.8	12.3	12.6
20	10.0	10.3	10.3	10.6	11.1	11.4	11.8	12.1	12.6	12.9
22	10.4	10.7	10.7	11.0	11.5	11.8	12.2	12.5	13.0	13.3
24	10.7	11.0	11.0	11.3	11.8	12.1	12.5	12.8	13.5	13.6
26	11.0	11.3	11.3	11.6	12.1	12.4	12.8	13.1	13.6	13.9
28	11.4	11.7	11.7	12.0	12.5	12.8	13.2	13.5	14.0	14.3
30	11.7	12.0	12.0	12.3	12.8	13.1	13.5	13.8	14.3	14.6

**Note:**

- 3 Order length "A" is determined by the chart "Sprinkler Barrel Length Selection" on page 5.
- 4 Reducer not included with AB6 assembly. Nominal hose lengths include 5.75"/140mm standard reducer for wet systems. Please make appropriate deductions when calculating necessary hose lengths.

 **WARNING**

- It is the responsibility of the system designer to verify suitability of Type 304/304L stainless steel flexible hose for use with the intended fluid media.
- The effect of chemical composition, pH level, operating temperature, chloride level, oxygen level, and flow rate on Type 304/304L stainless steel flexible hose must be evaluated by the material specifier to confirm system life will be acceptable for the intended service.

**Failure to follow these instructions could cause product failure, resulting in serious personal injury and/or property damage.**

