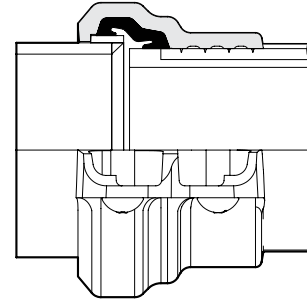


Transition Coupling HDPE to Shouldered Steel

STYLE SC998

The Victaulic Style SC998 Transition coupling is the fastest and easiest way to join plain end HDPE pipe to shouldered IPS pipe, valves and fittings. Designed for use with HDPE (high density polyethylene/polybutylene conforming to ASNIZS 4130 and PE 80 or 100 at ambient temperatures) pipe of wall thicknesses from SDR 21 - 7.4. As with all Victaulic HDPE products, Style SC998 has integral rows of gripping teeth on the HDPE side of the housing which bite into the HDPE pipe around the entire circumference.



Exaggerated for clarity

MATERIAL SPECIFICATIONS

Housing: Ductile iron conforming to ASTM A-536, grade 65-45-12.

Housing Coating: Hot dip galvanized

Gasket (specify choice*):

- **Grade "T" nitrile**

Nitrile (Orange color code). Temperature range -20°F to +180°F/-29°C to +82°C.

Recommended for petroleum products, air with oil vapors, vegetable and mineral oils within the specified temperature range. Not recommended for hot water services over +150°F/+66°C or for hot dry air over +140°F/+60°C.

* Services listed are General Service Recommendations only. It should be noted that there are services for which these gaskets are not recommended. Reference should always be made to the latest Victaulic Gasket Selection Guide for specific gasket service recommendations and for a listing of services which are not recommended.

Bolts/Nuts: Hot-dip galvanized trackhead meeting the physical and chemical requirements of ASTM A-449 and physical requirements of ASTM A-183.

Optional: Heat-treated plated carbon steel, trackhead meeting the physical and chemical requirements of ASTM A-449 and physical requirements of ASTM A-183.

JOB/OWNER

System No. _____

Location _____

CONTRACTOR

Submitted By _____

Date _____

ENGINEER

Spec Sect _____ Para _____

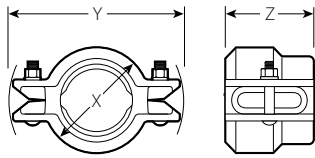
Approved _____

Date _____

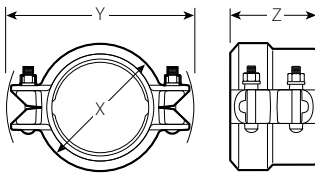
Transition Coupling HDPE to Shouldered Steel

STYLE SC998

DIMENSIONS



63 MM SIZE



110 MM SIZE

Coupling Size mm	IPS Shouldered Pipe Size		Dimensions – Inches/mm			Bolt Data		Approx. Wgt. Each
	Pipe Actual Out. Dia. Inches mm	Shoulder Actual Out. Dia. Inches mm	X	Y	Z	Quantity	Size Inches	Lbs. kg
63	2.375	2.618	3.31	5.22	2.78	2	3/8 x 2	2.8
	60.3	66.5	84	133	71			1.3
110	4.500	4.803	5.68	8.25	3.90	4	1/2 x 2 3/4	8.5
	114.3	122.0	144	210	99			3.9

HDPE Pipe Size	Inches/millimeters			
	Nominal Diameter mm	Tolerance*		Maximum Out of Round Tolerance*
		Max.	Min.	
63	2.51	2.48	0.06	
	63.6	63.0		1.5
110	4.37	4.33	0.09	
	111.0	110.0		2.2

* At ambient temperatures.

PERFORMANCE

Victaulic HDPE products are designed to mechanically join HDPE (*high density polyethylene/ polybutylene conforming to ASNIZS 4130 and PE 80/100) pipe of wall thicknesses from SDR 21 to 7.4. Victaulic HDPE products have integral rows of gripping teeth in each side of the housing which bite into HDPE pipe around the entire circumference. This eliminates special heat fusion, solvent joining or special adapters. The toothed gripping ends of Victaulic HDPE products are not intended for use on PVC pipe or other materials. Victaulic lubricant should not be used with HDPE pipe. HDPE pipe brands we have tested indicate that the working pressure of Victaulic HDPE products are dictated by the working pressure of the pipe. The pipe manufacturers listing is dependent upon wall thicknesses, pipe composition and temperature. Pipe tolerances shown in the charts are *at +70°F (+21°C) and for rigid pipe with SDR of 20 or lower.

Transition Coupling HDPE to Shouldered Steel

STYLE SC998

CAUTION

**CAUTION**

- Victaulic Style SC998 couplings are qualified for use on HDPE ONLY on the toothed gripping end. The toothed gripping end should not be used on other plastic materials.
- Failure to follow this instruction could result in personal injury, improper installation, leakage or joint separation.

INSTALLATION

Reference should always be made to the I-900 Victaulic HDPE Field Installation Handbook for the product you are installing. Handbooks are included with each shipment of Victaulic products for complete installation and assembly data, and are available in PDF format on our website at www.victaulic.com.

WARRANTY

Refer to the Warranty section of the current Price List or contact Victaulic for details.

NOTE

This product shall be manufactured by Victaulic or to Victaulic specifications. All products to be installed in accordance with current Victaulic installation/assembly instructions. Victaulic reserves the right to change product specifications, designs and standard equipment without notice and without incurring obligations.

For complete contact information, visit www.victaulic.com

19.08 6766 REV A UPDATED 03/2012

VICTAULIC IS A REGISTERED TRADEMARK OF VICTAULIC COMPANY. © 2012 VICTAULIC COMPANY. ALL RIGHTS RESERVED.

19.08

