




---

## 1.0 PRODUCT DESCRIPTION

---

**Available Sizes:**

- 14 – 18"/DN350 – DN450

**Maximum Working Pressure:**

- 300 psi/2068 kPa/21 bar

**Application:**

- Provides straight-through flow for lower pressure drops
- For information on the Series 732 AGS Wye Type *Vic-Strainer*, see [publication 09.03](#).

---

## 2.0 CERTIFICATION/LISTINGS

---

Product designed and manufactured under the Victaulic Quality Management System, as certified by LPCB in accordance with ISO-9001:2015.

**ALWAYS REFER TO ANY NOTIFICATIONS AT THE END OF THIS DOCUMENT REGARDING PRODUCT INSTALLATION, MAINTENANCE OR SUPPORT.**

|              |  |          |  |
|--------------|--|----------|--|
| System No.   |  | Location |  |
| Submitted By |  | Date     |  |

|              |  |           |  |
|--------------|--|-----------|--|
| Spec Section |  | Paragraph |  |
| Approved     |  | Date      |  |

### 3.0 SPECIFICATIONS – MATERIAL

---

**Body, Coupling, End Cap:** Ductile iron conforming to ASTM A395, Grade 65-45-15, and ASTM A536, Grade 65-45-12 available upon special request.

**Coating:** Orange enamel

**Basket:** Stainless steel, Type 304, perforated metal

**14 – 18"/DN350 – DN450:** 0.156"/4 mm diameter perforations on 0.234"/6 mm centers, 40% open area.

**Gasket Grade: (Specify choice)<sup>1,2</sup>**

**Victaulic Grade "E" FlushSeal™ EPDM**

EPDM (Green stripe color code). Temperature range –30°F to +230°F/–34°C to +110°C. **NOT COMPATIBLE FOR USE WITH PETROLEUM SERVICES OR STEAM SERVICES.**

**Bolts/Nuts:**

**Standard:** Carbon steel oval neck track bolts meeting the mechanical property requirements of ASTM A449 (imperial) and ISO 898-1 (metric) Class 9.8 (M10-M16) and Class 8.8 (M20 and greater). Carbon steel hex nuts meeting the mechanical property requirements of ASTM A563 Grade B (imperial – heavy hex nuts) and ASTM A563M Class 9 (metric – hex nuts). Track bolts and hex nuts are zinc electroplated per ASTM B633 FE/ZN5, finish Type III (imperial) or Type II (metric).

**Couplings:** Series W732 AGS *Vic-Strainer* is supplied with a Style W07 AGS rigid coupling for cleaning access.

**Blow Down Port:** An NPT tap is provided in the cap for a discharge valve connection allowing solids to be "blown down" while the system is in service. Strainer supplied with cap plugged.

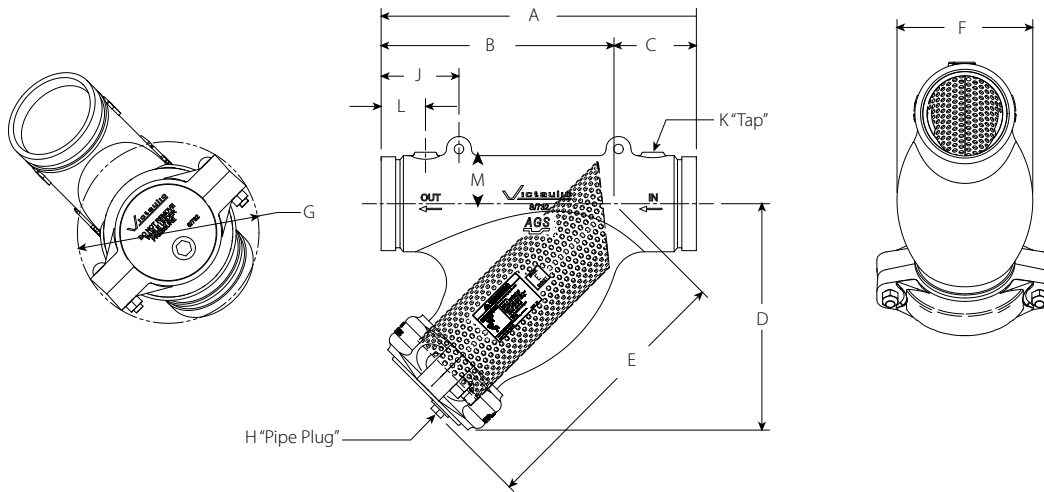
**Other:** Supplemental lubricant is recommended for services installed at or continuously operating below 0°F/–18°C.

<sup>1</sup> Services listed are General Service Recommendations only. It should be noted that there are services for which these gaskets are not recommended. Reference should always be made to the latest [Victaulic Seal Selection Guide](#) for specific gasket service recommendations and for a listing of services which are not recommended.

<sup>2</sup> Supplemental lubricant is recommended for services installed at or continuously operating below 0°F/–18°C.

## 4.0 DIMENSIONS

### Series W732 Wye Type Vic-Strainer

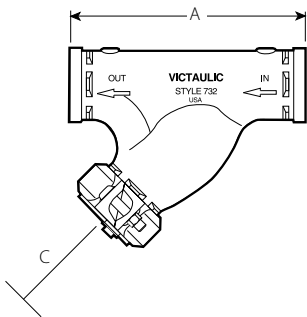


| Size                    |   | Dimensions                         |                   |                   |                   |                   |                   |                   |                   |                   |                            |                   |                   | Weight                        |
|-------------------------|---|------------------------------------|-------------------|-------------------|-------------------|-------------------|-------------------|-------------------|-------------------|-------------------|----------------------------|-------------------|-------------------|-------------------------------|
| Nominal<br>inches<br>DN | Actual<br>Outside<br>Diameter<br>inches<br>mm | End<br>to End<br>A<br>inches<br>mm | B<br>inches<br>mm | C<br>inches<br>mm | D<br>inches<br>mm | E<br>inches<br>mm | F<br>inches<br>mm | G<br>inches<br>mm | H<br>inches<br>mm | J<br>inches<br>mm | K<br>"TAP"<br>inches<br>mm | L<br>inches<br>mm | M<br>inches<br>mm | Approx.<br>(Each)<br>lb<br>kg |
| 14<br>DN350             | 14.000<br>355.6                               | 34.00<br>864                       | 25.93<br>659      | 8.07<br>205       | 25.27<br>642      | 29.13<br>740      | 18.15<br>461      | 20.59<br>523      | 2 NPT             | 7.09<br>180       | ¼"<br>NPT                  | 3.35<br>85        | 7.87<br>200       | 425.0<br>192.8                |
| 16<br>DN400             | 16.000<br>406.4                               | 37.00<br>940                       | 27.35<br>695      | 9.65<br>245       | 27.15<br>690      | 30.70<br>780      | 20.47<br>520      | 23.51<br>597      | 2 NPT             | 7.87<br>200       | ¼"<br>NPT                  | 3.74<br>95        | 8.88<br>226       | 600.0<br>272.2                |
| 18<br>DN450             | 18.000<br>457.0                               | 40.51<br>1029                      | 30.27<br>769      | 10.24<br>260      | 29.94<br>761      | 33.61<br>854      | 23.39<br>594      | 25.53<br>649      | 2 NPT             | 7.87<br>200       | ¼"<br>NPT                  | 3.74<br>95        | 9.88<br>251       | 800.0<br>362.9                |

**NOTE**

- Dimensions will vary depending upon coupling orientation.

### Minimum clearance requirements for removal of suction diffuser baskets



| Pipe Size               |   | Series W732<br>"C" Strainer Basket<br>Minimum Clearance<br>Dimensions |
|-------------------------|---|---|
| Nominal<br>inches<br>DN | Actual<br>Outside<br>Diameter<br>inches<br>mm | inches<br>mm  |
| 14<br>DN350             | 14.000<br>355.6                               | 30.00<br>762  |
| 16<br>DN400             | 16.000<br>406.4                               | 32.00<br>813  |
| 18<br>DN450             | 18.000<br>457.0                               | 35.00<br>889  |

## 5.0 PERFORMANCE

### Series W732 Wye Type Vic-Strainer

| Size                    |   | Maximum Work Pressure<br>psi<br>kPa |
|-------------------------|---|-------------------------------------|
| Nominal<br>inches<br>DN | Actual Outside Diameter<br>inches<br>mm |                                     |
| 14<br>DN350             | 14.000<br>355.6                         | 300<br>2068                         |
| 16<br>DN400             | 16.000<br>406.4                         | 300<br>2068                         |
| 18<br>DN450             | 18.000<br>457.0                         | 300<br>2068                         |

**NOTE**

- Working pressure listed is specifically for the Series W732 Wye Type Vic-Strainer. Maximum Working Pressure of the piping system shall not exceed other system components. Maximum differential pressure from inlet to outlet must not exceed 10 psi/69 kPa.

### Flow Rate

C<sub>v</sub> and K<sub>v</sub> values for flow of water at +60°F/+16°C are shown in tables below.

Formulas for C<sub>v</sub> and K<sub>v</sub> Values:

$$\Delta P = \frac{Q^2}{C_v^2}$$

$$Q = C_v \times \sqrt{\Delta P}$$

**Where:**

Q = Flow (GPM)  
 ΔP = Pressure Drop (psi)  
 C<sub>v</sub> = Flow Coefficient

$$\Delta P = \frac{Q^2}{K_v^2}$$

$$Q = K_v \times \sqrt{\Delta P}$$

**Where:**

Q = Flow (m<sup>3</sup>/hr)  
 ΔP = Pressure Drop (Bar)  
 K<sub>v</sub> = Flow Coefficient

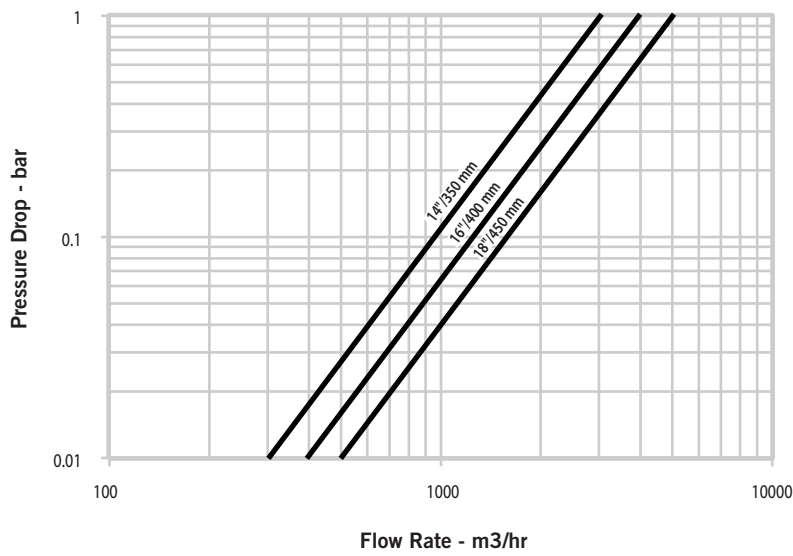
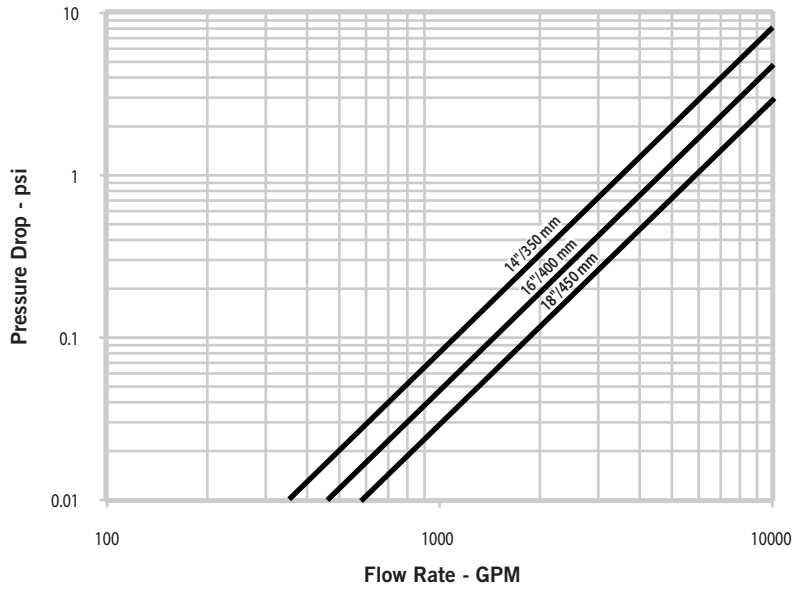
| Size                    |   | Full Open<br>C <sub>v</sub><br>K <sub>v</sub> |
|-------------------------|---|---|
| Nominal<br>inches<br>DN | Actual Outside Diameter<br>inches<br>mm |   |
| 14<br>DN350             | 14.000<br>355.6                         | 3534<br>3014                                  |
| 16<br>DN400             | 16.000<br>406.4                         | 4616<br>3937                                  |
| 18<br>DN450             | 18.000<br>457.0                         | 5842<br>4983                                  |

## 5.1 PERFORMANCE

### Series W732 Wye Type Vic-Strainer

#### Flow Characteristics

Flow characteristics are based on standard, clean baskets. Flow may vary from these figures. The chart below expresses the flow of water at 65°F/18°C.



## 6.0 NOTIFICATIONS

### WARNING



- Read and understand all instructions before attempting to install, remove, adjust, or maintain any Victaulic piping products.
- Always verify that the piping system has been completely depressurized and drained immediately prior to installation, removal, adjustment, or maintenance of any Victaulic products.
- Wear safety glasses, hardhat, and foot protection.

Failure to follow these instructions could result in death or serious personal injury and property damage.

### WARNING

When grooving pipe for use with AGS products, Victaulic roll grooving tools must be equipped with AGS roll sets (RW for steel or RWX for stainless steel).

Victaulic AGS products **MUST NOT** be installed on pipe that is prepared with original-type grooving roll sets.

Failure to follow these instructions will cause grooves that are not within Victaulic AGS specifications, resulting in joint failure, serious personal injury, and property damage.

## 7.0 REFERENCE MATERIALS

[09.03: Victaulic Wye Type Vic-Strainer Series 732](#)

[26.01: Victaulic Design Data](#)

[29.01: Victaulic Terms and Conditions of Sale](#)

[I-ENDCAP: Victaulic End Cap Installation Instructions](#)

### User Responsibility for Product Selection and Suitability

Each user bears final responsibility for making a determination as to the suitability of Victaulic products for a particular end-use application, in accordance with industry standards and project specifications, and the applicable building codes and related regulations as well as Victaulic performance, maintenance, safety, and warning instructions. Nothing in this or any other document, nor any verbal recommendation, advice, or opinion from any Victaulic employee, shall be deemed to alter, vary, supersede, or waive any provision of Victaulic Company's standard conditions of sale, installation guide, or this disclaimer.

### Intellectual Property Rights

No statement contained herein concerning a possible or suggested use of any material, product, service, or design is intended, or should be construed, to grant any license under any patent or other intellectual property right of Victaulic or any of its subsidiaries or affiliates covering such use or design, or as a recommendation for the use of such material, product, service, or design in the infringement of any patent or other intellectual property right. The terms "Patented" or "Patent Pending" refer to design or utility patents or patent applications for articles and/or methods of use in the United States and/or other countries.

### Note

This product shall be manufactured by Victaulic or to Victaulic specifications. All products to be installed in accordance with current Victaulic installation/assembly instructions. Victaulic reserves the right to change product specifications, designs and standard equipment without notice and without incurring obligations.

### Installation

Reference should always be made to the Victaulic installation handbook or installation instructions of the product you are installing. Handbooks are included with each shipment of Victaulic products, providing complete installation and assembly data, and are available in PDF format on our website at [www.victaulic.com](http://www.victaulic.com).

### Warranty

Refer to the Warranty section of the current Price List or contact Victaulic for details.

### Trademarks

*Victaulic* and all other Victaulic marks are the trademarks or registered trademarks of Victaulic Company, and/or its affiliated entities, in the U.S. and/or other countries.