

Copper Connection Butterfly Valve

SERIES 608

Victaulic Series 608 butterfly valves are designed to provide bubble-tight shut-off to 300 psi/2065 kPa. This grooved end valve is quickly and easily joined to a copper tube system by utilizing Style 607 couplings. The valve features a double-seal design with a resilient elastomeric coating bonded to the ductile iron disc core. The disc drive hub is integrally cast as part of the disc and can be actuated by a manual lever, gear, pneumatic, electric or hydraulic operators. Dead end service is provided to full working pressure in both directions.

Sealing and positive shut-off are accomplished by a double ring seal which is integrally molded on the disc. This results in superior sealing performance with low torque requirements.

Series 608 butterfly valves are UL classified in accordance with ANSI/NSF 61 Annex G for potable water service.



MATERIAL SPECIFICATIONS

Body: Bronze castings conforming to UNS C87850 UL classified in accordance with ANSI/NSF 61 Annex G for ambient +86°F/+30°C and hot +180°F/+82°C potable water service.

Disc Coating:

- **Grade "CHP" Fluoroelastomer**

CHP (Yellow / Copper color code) Temperature range +40°F to +230°F/ +4°C to +110°C. Recommended for cold and hot water service within the specified temperature range plus a variety of dilute acids, air, and many chemical services. UL classified in accordance with ANSI/NSF 61 Annex G for ambient +86°F/+30°C and hot +180°F/+82°C potable water service.

* Services listed are General Service Recommendations only. It should be noted that there are services for which these gaskets are not recommended. Please contact Victaulic for specific gasket service recommendations and a listing of services which are not recommended.

NOTE: When connecting butterfly valves to Style 641 Vic-Flange® adapters please contact Victaulic.

Drive Hub Adapter: Steel - black enamel coated

Upper Bearing/Lower Trunnion Seals: EPDM

Trim: (Upper Nut/Lower Trunnion) Electroless nickel plated 416ss

Operator Bracket: Steel - black enamel coated

Bracket Bolts/Washers: Steel - zinc plated

Operator: (specify choice)

- **2½ – 3" / 66.7 – 79.4 mm**

Two-position detent manual handle: Steel - black enamel coated

- **2½ – 6" / 66.7 – 155.6 mm**

Manual lever lock/ininitely variable handle with memory stop: Steel - black enamel coated

- **Manual gear operator with handwheel:**

- **Optional:** Memory Stop
- **Optional:** Chain Wheel

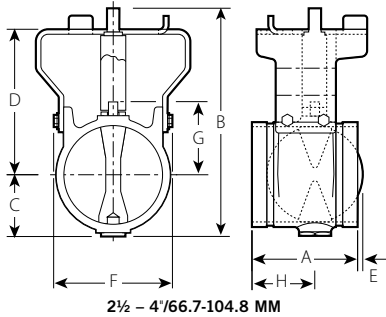
JOB/OWNER	CONTRACTOR	ENGINEER
System No. _____	Submitted By _____	Spec Sect _____ Para _____
Location _____	Date _____	Approved _____
		Date _____

DISCONTINUED PRODUCT - REPLACED BY SERIES 608N BUTTERFLY VALVE
REQUEST PUBLICATION 22-14

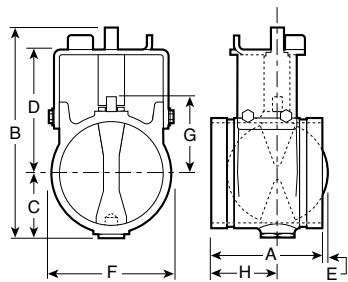
Copper Connection Butterfly Valve

SERIES 608

DIMENSIONS



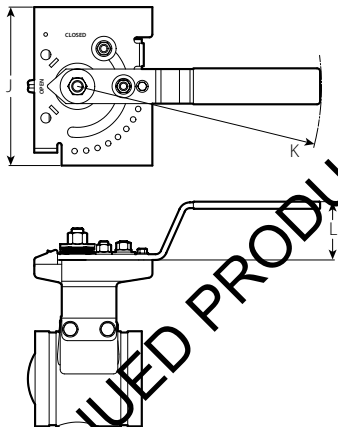
2 1/2 - 4"/66.7-104.8 MM



6"/155.6 MM

Tubing Size		Dimensions – Inches/mm							Approx. Wgt. Each w/o Oper.
Nominal Inches	End to End A	Overall Height B	C	D	E	F	G	H	Lbs. kg
2 1/2 66.7	3.77 96	6.63 158	1.81 46	3.92 100	– –	2.63 67	2.25 57	2.38 60	4.4 2.0
3 79.4	3.77 96	7.10 180	2.06 52	4.13 105	0.08 2	3.13 79	2.54 65	2.31 59	5.1 2.3
4 104.8	4.63 118	9.25 235	2.75 70	5.15 131	0.13 3	4.13 105	3.19 81	2.82 72	10.5 4.8
6 155.6	5.88 149	11.20 285	3.62 92	6.25 159	1.00 25	6.13 156	4.16 106	4.00 102	19.0 8.6

Lever Lock/Infinitely Variable Handle



Size	Dimensions – Inches/mm			Approx. Wgt. Each
Nominal Inches	J	K	L	Lbs. kg
2 1/2 66.7	4.21 107	7.18 182	1.77 45	1.5 0.7
3 79.4	4.21 107	7.18 182	1.77 45	1.5 0.7
4 104.8	6.88 175	10.63 270	2.60 66	1.5 0.7
6 155.6	6.88 175	12.13 308	2.60 66	1.5 0.7

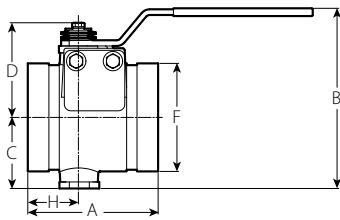
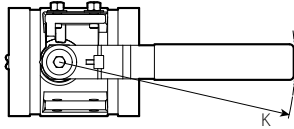
NOTE: Handles for 2 1/2 - 6"/66.7 - 155.6 mm valves come complete with hardware for both lever lock and infinitely variable handle plus memory stop.

Copper Connection Butterfly Valve

SERIES 608

DIMENSIONS

Two Position Handle



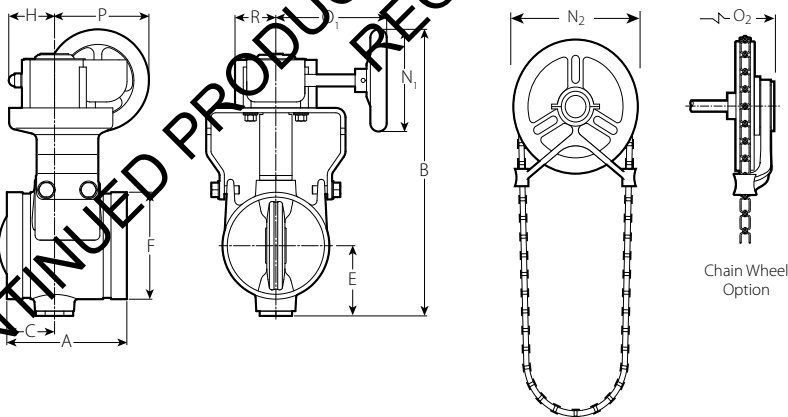
2½ – 3' / 66.7 – 79.4 MM

Size	Dimensions – Inches/mm								Approx. Wgt. Each
	Nominal Inches Actual mm	End to End A	Overall Height B	C	D	F	H	K	
2½	66.7	3.77	4.70	1.80	2.48	2.63	1.47	6.80	2.9
3	79.4	3.77	5.22	2.06	2.74	3.13	1.47	6.80	3.6
		96	119	46	63	67	37	173	1.3
		96	133	52	70	79	173	173	1.6

Gear Operator

Size	Dimensions – Inches/mm															No. Turns to Close	Approx. Wgt. Each		
	Nominal Inches Actual mm	End to End A	Overall Height B	C	D	E	F	G	H	I	J	K	L	M	Handwheel			Chain Wheel	P
2½	66.7	3.77	8.75	1.47	3.77	1.89	3.77	3.50	1.75	3.94	4.76	4.00	6.51	3.64	1.58	40	#0	10	2.6
3	79.4	3.77	9.22	1.47	3.77	1.89	3.77	3.50	1.75	3.94	4.76	4.00	6.51	3.64	1.58	40	#0	10	2.6
4	104.8	4.63	10.6	1.84	4.13	1.89	5.38	4.00	1.75	3.94	4.76	4.00	6.51	3.64	1.58	40	#0	9.25	4.5
6	155.6	5.38	13.52	1.92	3.61	2.20	5.38	3.85	1.69	4.92	7.20	5.75	9.45	4.43	1.97	50	#1	9.25	4.5
		95	222	37	46	48	96	89	45	100	121	102	165	93	40				1.2
		96	231	47	52	48	96	89	45	100	121	102	165	93	40				1.2
		112	241	47	69	105	48	137	102	45	100	121	102	165	93	40			2.0
		149	343	48	25	92	156	56	137	98	43	125	183	146	240	113	50		2.0

* Only chainwheels made from aluminum may be used with the Series 608 butterfly valve.



Copper Connection Butterfly Valve

SERIES 608

FLOW DATA

C_v/K_v values for flow of water at +60°F/+16°C with a fully open valve are shown in the table below.

Formulas for C_v/K_v values:

$$\Delta P = \frac{Q^2}{C_v^2}$$

$$Q = C_v \times \sqrt{\Delta P}$$

Where:
 Q = Flow (GPM)
 ΔP = Pressure Drop (psi)
 C_v = Flow Coefficient

$$\Delta P = \frac{Q^2}{K_v}$$

$$Q = K_v \times \sqrt{\Delta P}$$

Where:
 Q = Flow (m³/h)
 ΔP = Pressure Drop (bar)
 K_v = Flow Coefficient

Valve Size	C _v /K _v
Inches/mm	(Full Open)
2 1/2 66.7	325 281
3 79.4	480 415
4 104.8	600 519
6 155.6	1850 1600

INSTALLATION

Reference should always be made to the I-100 Victaulic Field Installation Handbook for the product you are installing. Handbooks are included with each shipment of Victaulic products for complete installation and assembly data, and are available in PDF format on our website at www.victaulic.com.

WARRANTY

Refer to the Warranty section of the current Price List or contact Victaulic for details.

NOTE

This product shall be manufactured by Victaulic or to Victaulic specifications. All products to be installed in accordance with current Victaulic installation/assembly instructions. Victaulic reserves the right to change product specifications, designs and standard equipment without notice and without incurring obligations.

For complete contact information, visit www.victaulic.com

22.05 1677 REV G UPDATED 01/2013

VICTAULIC IS A REGISTERED TRADEMARK OF VICTAULIC COMPANY. © 2013 VICTAULIC COMPANY. ALL RIGHTS RESERVED.



DISCONTINUED PRODUCT - REPLACED BY SERIES 608N BUTTERFLY VALVE
REQUEST PUBLICATION 22.14