

# FireLock® V34, K8.0

## Models V3417, V3418, V3419, V3420



V3419/V3420  
Intermediate Pendant



V3419/V3420  
Intermediate Pendant  
with Guard



V3417/V3418  
Intermediate Upright



V3417/V3418  
Intermediate Upright  
with Guard

### 1.0 PRODUCT DESCRIPTION

**Models:** V3417, V3418, V3419, V3420

**Style:** Intermediate Level Pendant or Upright

**Nominal Orifice Size:** 17/32"/14 mm

**K Factor:** 8.0 Imp./11.5 S.I.<sup>1</sup>

**Nominal Connection Size:** 3/4" NPT/20 mm BSPT/IGS Grooved

**Max. Working Pressure:** 175 psi/1200 kPa

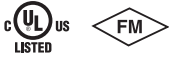
**Factory Hydrostatic Test:** 100% @ 500 psi/3450 kPa

**Min. Operating Pressure:** 7 psi/48 kPa

**Temperature Rating:** See chart

<sup>1</sup> For K-Factor when pressure is measured in Bar, multiply S.I. units by 10.0.

### 2.0 CERTIFICATION/LISTINGS



ALWAYS REFER TO ANY NOTIFICATIONS AT THE END OF THIS DOCUMENT REGARDING PRODUCT INSTALLATION, MAINTENANCE OR SUPPORT.

System No.		Location	
Submitted By		Date	

Spec Section		Paragraph	
Approved		Date	

## 2.0 CERTIFICATION/LISTINGS (CONTINUED)

### Threaded Sprinkler Approvals/Listings

APPROVALS/LISTINGS	Model			
	V3417	V3419	V3418	V3420
Orifice Size (inches)	17/32"	17/32"	17/32"	17/32"
Orifice Size (mm)	14	14	14	14
Nominal K Factor Imperial	8.0	8.0	8.0	8.0
Nominal K Factor S.I. <sup>2</sup>	11.5	11.5	11.5	11.5
Response	Standard	Standard	Quick	Quick
Deflector Type	Intermediate Upright	Intermediate Pendent	Intermediate Upright	Intermediate Pendent
<b>Approved Temperature Ratings</b>	<b>F°/C°</b>			
cULus	135°F/57°C 155°F/68°C 175°F/79°C 200°F/93°C 286°F/141°C 360°F/182°C	135°F/57°C 155°F/68°C 175°F/79°C 200°F/93°C 286°F/141°C 360°F/182°C	135°F/57°C 155°F/68°C 175°F/79°C 200°F/93°C 286°F/141°C	135°F/57°C 155°F/68°C 175°F/79°C 200°F/93°C 286°F/141°C
FM	-	135°F/57°C 155°F/68°C 175°F/79°C 200°F/93°C 286°F/141°C 360°F/182°C	-	135°F/57°C 155°F/68°C 175°F/79°C 200°F/93°C 286°F/141°C
NYC/MEA #62-99-E	135°F/57°C 155°F/68°C 175°F/79°C 200°F/93°C 286°F/141°C 360°F/182°C	135°F/57°C 155°F/68°C 175°F/79°C 200°F/93°C 286°F/141°C 360°F/182°C	135°F/57°C 155°F/68°C 175°F/79°C 200°F/93°C 286°F/141°C	135°F/57°C 155°F/68°C 175°F/79°C 200°F/93°C 286°F/141°C
CSFM	135°F/57°C 155°F/68°C 175°F/79°C 200°F/93°C 286°F/141°C 360°F/182°C	135°F/57°C 155°F/68°C 175°F/79°C 200°F/93°C 286°F/141°C 360°F/182°C	135°F/57°C 155°F/68°C 175°F/79°C 200°F/93°C 286°F/141°C	135°F/57°C 155°F/68°C 175°F/79°C 200°F/93°C 286°F/141°C

<sup>2</sup> For K Factor when pressure is measured in Bar, multiply S.I. units by 10.0

**NOTE**

- Certifications/Listings are current as of printing. For the latest information, please consult the regulatory agency's website.

### IGS Sprinkler Approvals/Listings

APPROVALS/LISTINGS	Model			
	V3417	V3419	V3418	V3420
Orifice Size (inches)	17/32"	17/32"	17/32"	17/32"
Orifice Size (mm)	14	14	14	14
Nominal K Factor Imperial	8.0	8.0	8.0	8.0
Nominal K Factor S.I. <sup>2</sup>	11.5	11.5	11.5	11.5
Response	Standard	Standard	Quick	Quick
Deflector Type	Intermediate Upright	Intermediate Pendent	Intermediate Upright	Intermediate Pendent
<b>Approved Temperature Ratings</b>	<b>F°/C°</b>			
cULus	135°F/57°C 155°F/68°C 175°F/79°C 200°F/93°C 286°F/141°C 360°F/182°C	135°F/57°C 155°F/68°C 175°F/79°C 200°F/93°C 286°F/141°C 360°F/182°C	135°F/57°C 155°F/68°C 175°F/79°C 200°F/93°C 286°F/141°C	135°F/57°C 155°F/68°C 175°F/79°C 200°F/93°C 286°F/141°C
FM	135°F/57°C 155°F/68°C 175°F/79°C 200°F/93°C 286°F/141°C 360°F/182°C	135°F/57°C 155°F/68°C 175°F/79°C 200°F/93°C 286°F/141°C 360°F/182°C	135°F/57°C 155°F/68°C 175°F/79°C 200°F/93°C 286°F/141°C	135°F/57°C 155°F/68°C 175°F/79°C 200°F/93°C 286°F/141°C

### 3.0 SPECIFICATIONS – MATERIAL

**Upright Deflector:** Bronze

**Pendent Deflector:** Bronze

**Plate:** Zinc-Plated Steel

**O-rings:** EPDM<sup>3</sup>

**Bulb:** Glass with glycerin solution

**Bulb Nominal Diameter:**

Standard Response: 5.0 mm

Quick Response: 3.0 mm

**Load Screw:** Bronze

**Pip Cap:** Bronze

**Spring:** Beryllium nickel

**Seal:** PTFE tape

**Frame:** Die cast brass

**Lodgement Spring:** Stainless steel

**Installation Wrench:**

Open End: V34

Recessed: V34

<sup>3</sup>/<sub>16</sub> Hex Bit: V9 coupling

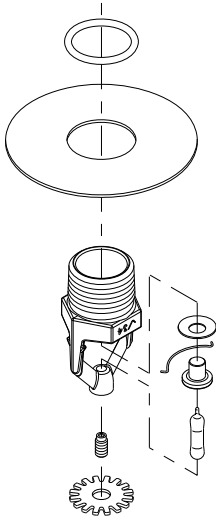
**Sprinkler Finishes:**

Plain Brass<sup>4</sup>

VC-250

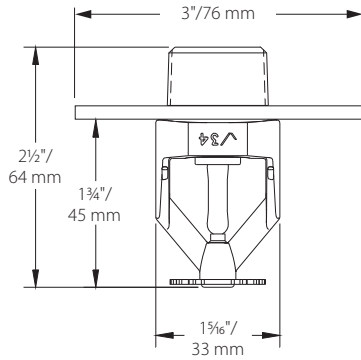
<sup>3</sup> O-rings are used to hold the shield in place and do not affect the orifice seal.

<sup>4</sup> Plain Brass is only available for the V9 coupling.

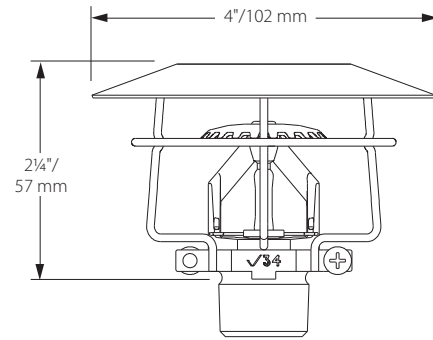


Exaggerated for clarity

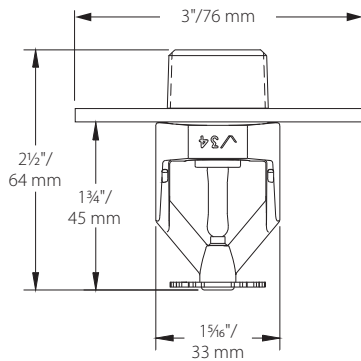
## 4.0 DIMENSIONS



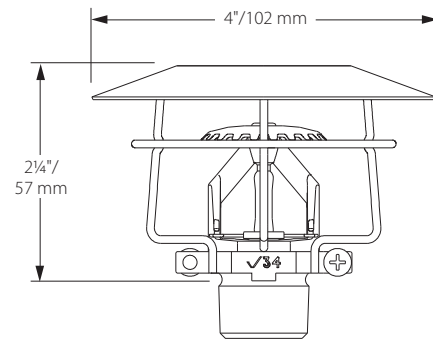
Intermediate Pendant – V3419, V3420



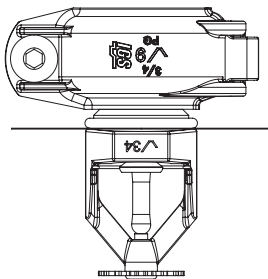
Intermediate Upright with Guard – V3417, V3418



Intermediate Pendant with V9 Sprinkler Coupling and Guard – V3419, V3420



Intermediate Upright with V9 Sprinkler Coupling and Guard – V3417, V3418



Intermediate Pendant with V9 Sprinkler Coupling – V3419, V3420

### NOTE

- V34, K8.0 sprinklers with Style V9 couplings have the same dimensions as threaded V34, K8.0 sprinklers.

## 5.0 PERFORMANCE

Sprinkler is to be installed and designed as per NFPA, FM Datasheets, or any local standards.

## 6.0 NOTIFICATIONS

### WARNING



- Always read and understand installation, care, and maintenance instructions, supplied with each box of sprinklers, before proceeding with installation of any sprinklers.
- Always wear safety glasses and foot protection.
- Depressurize and drain the piping system before attempting to install, remove, or adjust any Victaulic piping products.
- Installation rules, especially those governing obstruction, must be strictly followed.
- Painting, plating, or any re-coating of sprinklers (other than that supplied by Victaulic) is not allowed.

Failure to follow these instructions could result in serious personal injury and/or property damage.

The owner is responsible for maintaining the fire protection system and devices in proper operating condition. For minimum maintenance and inspection requirements, refer to the current National Fire Protection Association pamphlet that describes care and maintenance of sprinkler systems. In addition, the authority having jurisdiction may have additional maintenance, testing, and inspection requirements that must be followed.

If you need additional copies of this publication, or if you have any questions about the safe installation of this product, contact Victaulic World Headquarters: P.O. Box 31, Easton, Pennsylvania 18044-0031 USA, Telephone: 001-610-559-3300.

## 7.0 REFERENCE MATERIALS

### Ratings

All glass bulbs are rated for temperatures from –65°F/–54°C to those shown in table below.

Sprinkler Temperature Classification	Victaulic Part Identification	Temperature – °F/°C		Glass Bulb Color
		Nominal Temperature Rating	Maximum Ambient Temperature Allowed	
Ordinary	A	135°F/57°C	100°F/38°C	Orange
Ordinary	C	155°F/68°C	100°F/38°C	Red
Intermediate	E	175°F/79°C	150°F/65°C	Yellow
Intermediate	F	200°F/93°C	150°F/65°C	Green
High	J	286°F/141°C	225°F/107°C	Blue
Extra High <sup>5</sup>	K	360°F/182°C	300°F/149°C	Purple
–	M	Open	–	No bulb

<sup>5</sup> Standard response only.

### Available Wrenches:

Sprinkler Type	V34 Recessed	V34 Open End	Hex-Bit
V3417, V3418 Intermediate Upright	–	✓	–
V3419, V3420 Intermediate Pendent	✓	✓	–
V3417, V3418 Intermediate Upright w/V9	–	–	✓
V3419, V3420 Intermediate Pendent w/V9	–	–	✓

### NOTE

- <sup>3</sup>/<sub>16</sub>-inch hex bit provided with V9 coupling shipment.

[29.01: Victaulic Terms and Conditions of Sale](#)

[I-40: Victaulic FireLock™ Automatic Sprinklers](#)

[I-V9: Style V9 Victaulic FireLock™ IGS™ Installation-Ready™ Sprinkler Coupling Installation Instructions](#)

### User Responsibility for Product Selection and Suitability

Each user bears final responsibility for making a determination as to the suitability of Victaulic products for a particular end-use application, in accordance with industry standards and project specifications, and the applicable building codes and related regulations as well as Victaulic performance, maintenance, safety, and warning instructions. Nothing in this or any other document, nor any verbal recommendation, advice, or opinion from any Victaulic employee, shall be deemed to alter, vary, supersede, or waive any provision of Victaulic Company's standard conditions of sale, installation guide, or this disclaimer.

### Intellectual Property Rights

No statement contained herein concerning a possible or suggested use of any material, product, service, or design is intended, or should be construed, to grant any license under any patent or other intellectual property right of Victaulic or any of its subsidiaries or affiliates covering such use or design, or as a recommendation for the use of such material, product, service, or design in the infringement of any patent or other intellectual property right. The terms "Patented" or "Patent Pending" refer to design or utility patents or patent applications for articles and/or methods of use in the United States and/or other countries.

### Note

This product shall be manufactured by Victaulic or to Victaulic specifications. All products to be installed in accordance with current Victaulic installation/assembly instructions. Victaulic reserves the right to change product specifications, designs and standard equipment without notice and without incurring obligations.

### Installation

Reference should always be made to the Victaulic installation handbook or installation instructions of the product you are installing. Handbooks are included with each shipment of Victaulic products, providing complete installation and assembly data, and are available in PDF format on our website at [www.victaulic.com](http://www.victaulic.com).

### Warranty

Refer to the Warranty section of the current Price List or contact Victaulic for details.

### Trademarks

*Victaulic* and all other Victaulic marks are the trademarks or registered trademarks of Victaulic Company, and/or its affiliated entities, in the U.S. and/or other countries.