

V34, K6.9

Residential Pendent, Recessed Pendent

V3426 QUICK RESPONSE

The Model V3426 residential sprinkler is designed with optimal flow characteristics for use in residential NFPA 13 systems. The larger 6.9 K-Factor will aid in the system design where higher flows are required. The V3426 is also listed for use in wet pipe systems per NFPA 13D and 13R under smooth, flat, horizontal ceilings. The design incorporates state-of-the-art, heat responsive, frangible glass bulb design (quick response) for prompt, precise operation.

The die cast frame is more streamlined and attractive than traditional sand cast frames. It is cast with a hex-shaped wrench boss to allow easy tightening from many angles, reducing assembly effort. This sprinkler is available in various finishes to meet many design requirements.



SEE VICTAULIC PUBLICATION 10.01 FOR DETAILS



PENDENT



RECESSED PENDENT

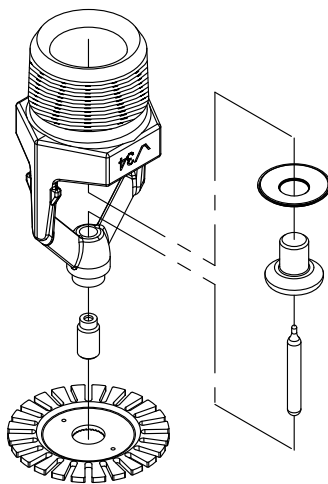
SPRINKLER OPERATION:

The operating mechanism is a frangible glass bulb which contains a heat responsive liquid. During a fire, the ambient temperature rises causing the liquid in the bulb to expand. When the ambient temperature reaches the rated temperature of the sprinkler, the bulb shatters. As a result, the waterway is cleared of all sealing parts and water is discharged towards the deflector. The deflector is designed to distribute the water in a pattern that is most effective in controlling the fire.

COVERAGE:

Residential spray coverage up to 20 feet 5 20 feet/6.1 m 5 6.1 m room sizes per NFPA.

TECHNICAL SPECIFICATIONS:



Exaggerated for Clarity

- Model:** V3426
- Style:** Pendent and Recessed Pendent
- Nominal Orifice Size:** 15/32"/12 mm
- K-Factor:** 6.9 Imp./9.9 S.I.^
- Nominal Thread Size:** 3/4" NPT/20 mm
- Max. Working Pressure:** 175 psi/1200 kPa
- Factory Hydrostatic Test:**
100% @ 500 psi/3450 kPa
- Min. Operating Pressure:** 7 psi/48 kPa
- Temperature Rating:** See chart on page 2.

MATERIAL SPECIFICATIONS

- Pendent Deflector:** Bronze per UNS C51000
- Bulb:** Glass with glycerin solution.
 - Quick Response: 3.0 mm
- Load Screw:** Bronze per UNS C65100
- Pip Cap:** Bronze per UNS C65100
- Seal:** Teflon* tape
- Frame:** Die cast brass 65-30

ACCESSORIES

Installation Wrench:

- Open End: V34
- Recessed: V34

Sprinkler Finishes:

- Plain brass
- Chrome plated
- White painted**
- Custom painted**

For escutcheons, cabinets and other accessories refer to separate sheet.

^ For K-Factor when pressure is measured in Bar, multiply S.I. units by 10.0.

*Teflon is a registered trademark of Dupont Co.

**UL Listed for corrosion resistance in all configurations.

NOTE: Weather resistant recessed escutcheon available upon request.

| | | |
|------------------|--------------------|----------------------------|
| JOB OWNER | CONTRACTOR | ENGINEER |
| System No. _____ | Submitted By _____ | Spec Sect _____ Para _____ |
| Location _____ | Date _____ | Approved _____ |
| | | Date _____ |

V34, K6.9

Residential Pendent, Recessed Pendent

V3426 QUICK RESPONSE



PENDENT



RECESSED PENDENT

APPROVALS/LISTINGS

| Model | Orifice Size | Nominal K-Factor | Response | Deflector Type | Approved Temperature Ratings ‡ |
|-------|-------------------------------------|-------------------------------|----------|---|--------------------------------|
| | Inches mm | Imperial S.I. [^] | | | |
| V3426 | ¹⁵ / ₃₂ 12 | 6.9 9.9 | Quick | Pendent | 1, 2, 3 – A |
| V3426 | ¹⁵ / ₃₂ 12 | 6.9 9.9 | Quick | Recessed Pendent Up to ¾" Adjustment | 1, 2, 3 – A |

[^] For K-Factor when pressure is measured in Bar, multiply S.I. units by 10.0.

‡ Listings and approval as of printing.

APPROVED TEMPERATURE RATINGS

| Approval | Temperature Rating |
|---------------|----------------------------|
| 1 – C UL US | A – 155°F/68°C, 175°F/79°C |
| 2 – NYC/MEA † | |
| 3 – CSFM § | |

† MEA #62-99-E

§ CSFM #7690-0531:112

V34, K6.9

Residential Pendent, Recessed Pendent

V3426 QUICK RESPONSE



PENDENT

RECESSED PENDENT

RATINGS

All glass bulbs are rated for temperatures from -67°F/-55°C to those shown in table below.

| Sprinkler Temperature Classification | Victaulic Part Identification | Temperature – °F/°C | | Glass Bulb Color |
|--------------------------------------|-------------------------------|----------------------------|-------------------------------------|------------------|
| | | Nominal Temperature Rating | Maximum Ambient Temperature Allowed | |
| Ordinary | C | 155 68 | 100 38 | Red |
| Intermediate | E | 175 79 | 150 65 | Yellow |

ORDERING INFORMATION

Please specify the following when ordering:

| | |
|------------------------|--|
| Sprinkler Model Number | |
| Style | |
| Temperature Rating | |
| K-Factor | |
| Thread Size | |
| Quantity | |
| Sprinkler Finish | |
| Escutcheon Finish | |
| Wrench Model Number | |

V34, K6.9

Residential Pendent, Recessed Pendent

V3426 QUICK RESPONSE



PENDENT



RECESSED PENDENT

WARNING



WARNING



- Always read and understand installation, care, and maintenance instructions, supplied with each box of sprinklers, before proceeding with installation of any sprinklers.
- Always wear safety glasses and foot protection.
- Depressurize and drain the piping system before attempting to install, remove, or adjust any Victaulic piping products.
- Installation rules, especially those governing obstruction, must be strictly followed.
- Painting, plating, or any re-coating of sprinklers (other than that supplied by Victaulic) is not allowed.

Failure to follow these instructions could result in serious personal injury and/or property damage.

The owner is responsible for maintaining the fire protection system and devices in proper operating condition. For minimum maintenance and inspection requirements, refer to the current National Fire Protection Association pamphlet that describes care and maintenance of sprinkler systems. In addition, the authority having jurisdiction may have additional maintenance, testing, and inspection requirements that must be followed.

If you need additional copies of this publication, or if you have any questions about the safe installation of this product, contact Victaulic World Headquarters: P.O. Box 31, Easton, Pennsylvania 18044-0031 USA, Telephone: 001-610-559-3300.

V34, K6.9

Residential Pendant, Recessed Pendant

V3426 QUICK RESPONSE

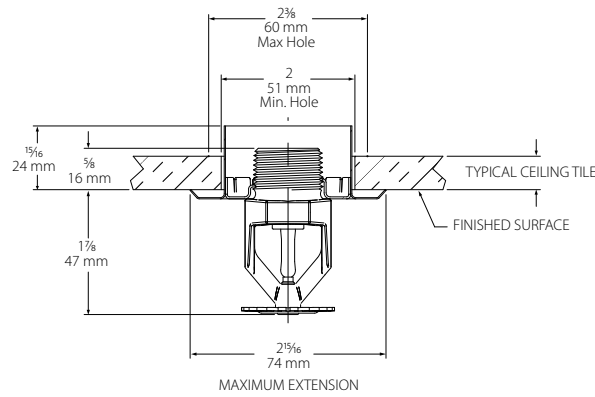
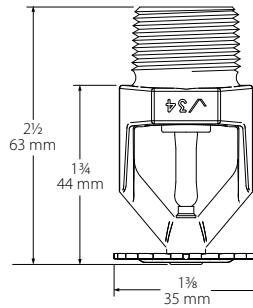


PENDENT

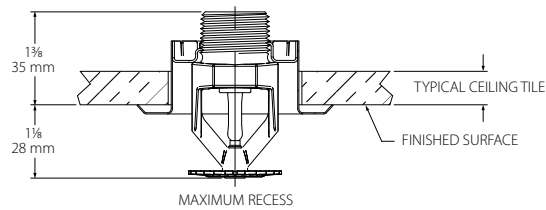
RECESSED PENDENT

DIMENSIONS

Standard Pendant – V3426



3/4" Adjustment Recessed – V3426 (drawing not to scale)



V34, K6.9

Residential Pendent, Recessed Pendent

V3426 QUICK RESPONSE



PENDENT



RECESSED PENDENT

AVAILABLE WRENCHES

| Sprinkler Type | Open End | Recessed |
|--------------------------|----------|----------|
| V3426 – Pendent | V34 | V34 |
| V3426 – Recessed Pendent | — | V34 |

ROOM SIZE

Victaulic V3426, 6.9 K-Factor Pendent Sprinkler
 For Ceiling types refer to NFPA 13, 13R or 13D 2013 Editions

| Max. Coverage Area ^(a) | Ordinary Temp Rating 155°F/68°C | | Intermediate Temp Rating 175°F/79°C | | Deflector to Ceiling | Installation Type | Minimum Spacing |
|-----------------------------------|-------------------------------------|---------------------------------------|--|---------------------------------------|----------------------|--|-----------------|
| | Flow ^(b) GPM L/min | Pressure ^(b) PSI bar | Flow ^(b) GPM L/min | Pressure ^(b) PSI bar | | | |
| 12 X 12 3.7 X 3.7 | 20 75.7 | 8.4 0.58 | 20 75.7 | 8.4 0.58 | 1 3/16 to 4 inch | 3/4" recessed Escutcheon or non-recessed per NFPA 13, 13R or 13D | 8.0 2.4 |
| 14 X 14 4.3 X 4.3 | 20 75.7 | 8.4 0.58 | 20 75.7 | 8.4 0.58 | | | |
| 16 X 16 4.9 X 4.9 | 20 75.7 | 8.4 0.58 | 20 75.7 | 8.4 0.58 | | | |
| 18 X 18 5.5 X 5.5 | 20 75.7 | 8.4 0.58 | 20 75.7 | 8.4 0.58 | | | |
| 20 X 20 6.1 X 6.1 | 22 83.3 | 10.2 0.70 | 22 83.3 | 10.2 0.70 | | | |

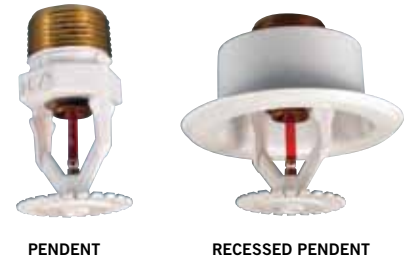
(a) For coverage area dimensions less than or between those indicated, use the minimum required flow for the next highest coverage area for which hydraulic design criteria are stated.

(b) For NFPA 13 residential applications, the greater of 0.1gpm/ft² over the design area of the flow in accordance with the criteria in the table must be used.

V34, K6.9

Residential Pendent, Recessed Pendent

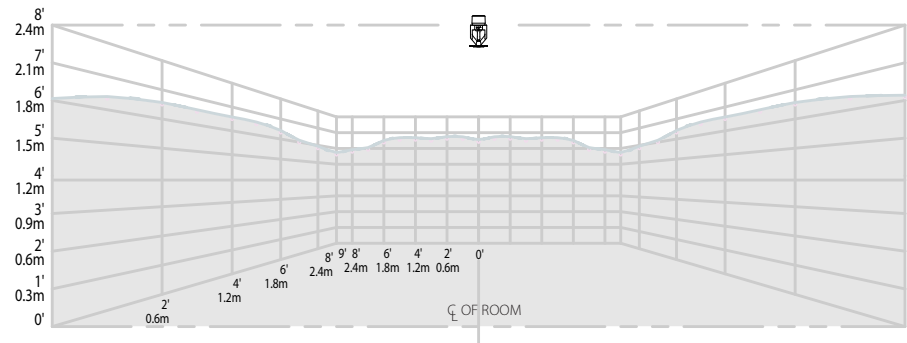
V3426 QUICK RESPONSE



NOMINAL WETTING PATTERNS

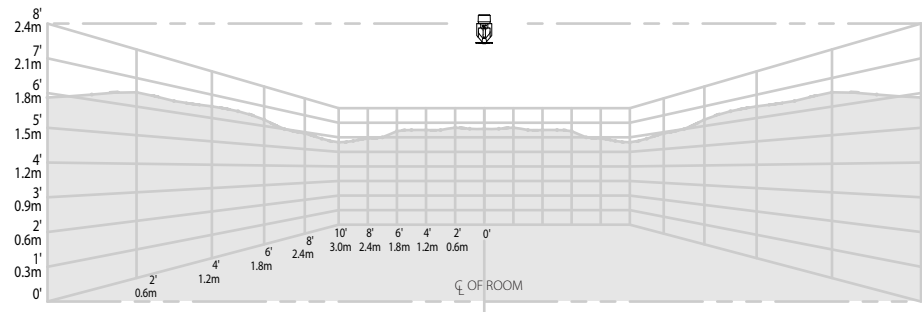
Model V3426 K6.9 residential pendent and recessed pendent

20 GPM/75.7 LPM – 18' x 18'/5.5 x 5.5 m coverage area



Model V3426 K6.9 residential pendent and recessed pendent

22 GPM/83.3 LPM – 20' x 20'/6.1 x 6.1 m coverage area



NOTES:

- 1 Data shown is approximate and can vary due to differences in installation.
- 2 These graphs illustrate approximate wall-wetting patterns for these specific Victaulic FireLock Automatic Sprinklers. They are provided as information for guidance and should not be used as minimum sprinkler spacing rules for installation. Sprinkler location shall be in accordance with the obstruction rules for residential sprinklers in NFPA 13 (2002 or later revision). Failure to follow these guidelines could adversely affect the performance of the sprinkler and will void all Listings, Approvals and Warranties.
- 3 All patterns are symmetrical to waterway.

V34, K6.9

Residential Pendent, Recessed Pendent

V3426 QUICK RESPONSE



PENDENT

RECESSED PENDENT

WARRANTY

Refer to the Warranty section of the current Price List or contact Victaulic for details.

NOTE

This product shall be manufactured by Victaulic or to Victaulic specifications. All products to be installed in accordance with current Victaulic installation/assembly instructions. Victaulic reserves the right to change product specifications, designs and standard equipment without notice and without incurring obligations.