

FireLock® Expansion Plates

For Recessed or Concealed Sprinklers



Recessed



Concealed

1.0 PRODUCT DESCRIPTION

FireLock Expansion Plate for V27, V34, and V36 recessed sprinklers

- Minimum 1" lateral clearance
- Does not affect takeout dimensions or alter Listings and Approvals of the V27, V34, and V36 sprinklers

FireLock Expansion Plate for V26, V27, V36 and V38 concealed sprinklers

- Minimum 1" lateral clearance
- Does not affect takeout dimensions or alter Listings and Approvals of the V26, V27, V36 and V38 sprinklers

2.0 CERTIFICATION/LISTINGS

Listing and Approvals of corresponding Victaulic sprinklers are not altered.

NOTE

- The expansion plate meets most clearance requirements for seismic applications. Refer to local building codes and the Authority Having Jurisdiction for specific seismic requirements.

3.0 SPECIFICATIONS - MATERIAL

Material: Cold Rolled Steel

Finishes:

- Chrome
- White
- Custom

NOTES

- Weather resistant escutcheons available upon request.
- For escutcheon submittal information, please see appropriate sprinkler model literature.

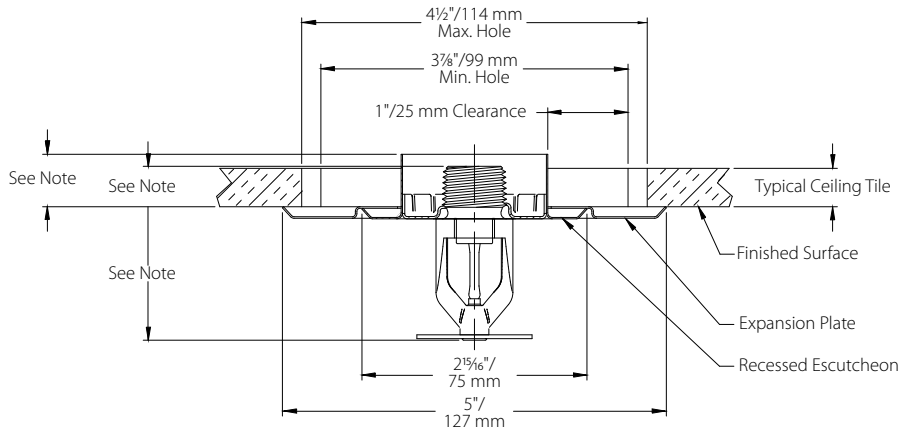
ALWAYS REFER TO ANY NOTIFICATIONS AT THE END OF THIS DOCUMENT REGARDING PRODUCT INSTALLATION, MAINTENANCE OR SUPPORT.

System No.		Location	
Submitted By		Date	

Spec Section		Paragraph	
Approved		Date	

4.0 DIMENSIONS

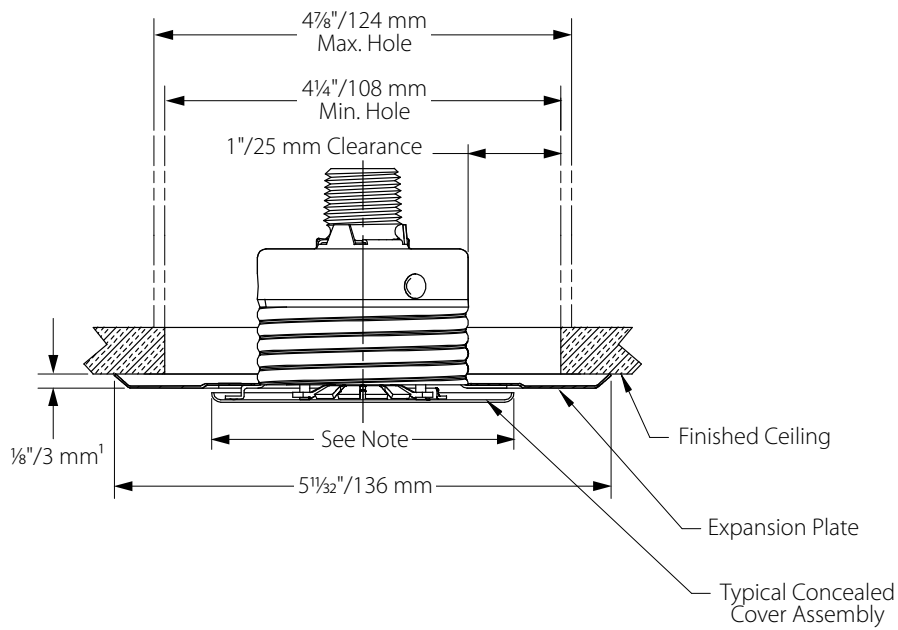
Recessed Sprinkler Plate



NOTE

- Refer to submittal of specific Victaulic sprinkler to be used for other recessed dimensions.

Concealed Sprinkler Plate



¹ The sprinkler drop length must be lengthened to accommodate the thickness of the concealed expansion plate.

NOTE

- Refer to submittal of specific Victaulic sprinkler to be used for other concealed dimensions.

5.0 PERFORMANCE

Not applicable. Contact Victaulic for details.

6.0 NOTIFICATIONS

Not applicable. Contact Victaulic for details.

7.0 REFERENCE MATERIALS

Ordering Information

Finish	
Quantity	
Recessed or Concealed	

User Responsibility for Product Selection and Suitability

Each user bears final responsibility for making a determination as to the suitability of Victaulic products for a particular end-use application, in accordance with industry standards and project specifications, as well as Victaulic performance, maintenance, safety, and warning instructions. Nothing in this or any other document, nor any verbal recommendation, advice, or opinion from any Victaulic employee, shall be deemed to alter, vary, supersede, or waive any provision of Victaulic Company's standard conditions of sale, installation guide, or this disclaimer.

Intellectual Property Rights

No statement contained herein concerning a possible or suggested use of any material, product, service, or design is intended, or should be construed, to grant any license under any patent or other intellectual property right of Victaulic or any of its subsidiaries or affiliates covering such use or design, or as a recommendation for the use of such material, product, service, or design in the infringement of any patent or other intellectual property right. The terms "Patented" or "Patent Pending" refer to design or utility patents or patent applications for articles and/or methods of use in the United States and/or other countries.

Note

This product shall be manufactured by Victaulic or to Victaulic specifications. All products to be installed in accordance with current Victaulic installation/assembly instructions. Victaulic reserves the right to change product specifications, designs and standard equipment without notice and without incurring obligations.

Installation

Reference should always be made to the Victaulic installation handbook or installation instructions of the product you are installing. Handbooks are included with each shipment of Victaulic products, providing complete installation and assembly data, and are available in PDF format on our website at www.victaulic.com.

Warranty

Refer to the Warranty section of the current Price List or contact Victaulic for details.

Trademarks

Victaulic and all other Victaulic marks are the trademarks or registered trademarks of Victaulic Company, and/or its affiliated entities, in the U.S. and/or other countries.