

# V44, K16.8 V4404 Fast Response

## Early Suppression Fast Response Pendent (ESFR)



V4404

### Approvals/Listings:



See Victaulic Publication 10.01 for more details.

### Product Description:

The Model V4404 Early Suppression Fast Response (ESFR) Pendent sprinkler is designed, listed, and approved for use in accordance with the ESFR sections of NFPA 13. This sprinkler utilizes a fast response, fusible solder link and is capable of suppressing large storage fires, in most cases, without the need for in-rack sprinklers. This sprinkler is constructed of a robust die cast brass frame with stainless steel operating components to ensure long life and prompt, precise activation. The Teflon coated, Belleville spring seal is a time tested feature which provides excellent resistance to corrosive water supplies, thus ensuring a long term water-tight seal.

The Model V4404 has a K-Factor of 16.8 imp./24.25S.I. to reduce the required operating pressures and possibly eliminate the need for a fire pump.

### Coverage

See NFPA 13 regarding early suppression fast response sprinklers (ESFR). Maximum ceiling height – 40 ft./12.2 m; maximum commodity height – 35 ft./10.7 m.

### Technical Specifications:

**Models:** V4404

**Style:** Pendent

**K Factor:** 16.8 imp./24.25 S.I.<sup>1</sup>

**Nominal Thread Size:** ¾" NPT or 20 mm BSP

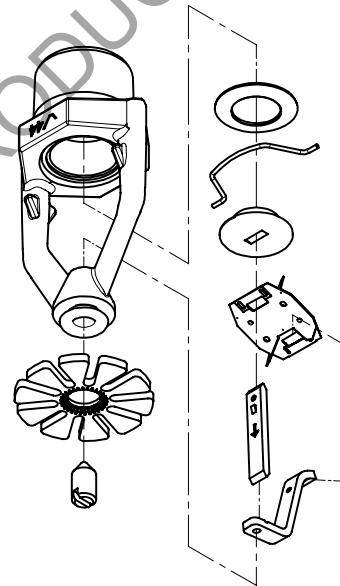
**Max. Working Pressure:** 175 psi/1200 kPa

**Factory Hydrostatic Test:** 100% @ 500 psi/3450 kPa

**Min. Operating Pressure:** Application specific

**Temperature Rating:** See chart on page 2

<sup>1</sup> For K-Factor when pressure is measured in Bar, multiply S.I. units by 10.0.



Exaggerated for clarity

### Job/Owner

System No.	
Location	

### Contractor

Submitted By	
Date	

### Engineer

Spec Section	
Paragraph	
Approved	
Date	

**Material Specifications:**

- Deflector:** Bronze per UNS C51000
- Link:** Nickel per UNS N02200
- Lever:** Monel per UNS N04400
- Load Screw:** Stainless Steel per UNS S31600
- Cap:** Stainless steel per UNS S31600
- Seal:** Teflon<sup>2</sup> tape
- Strutt:** Monel per UNS N04400
- Frame:** Dezincification Resistant Die Cast Brass

For cabinets and other accessories, refer to separate sheet.

<sup>2</sup> Teflon is a registered trademark of Dupont Co.

**Accessories:**

- Installation Wrench**  
Open End: V44
- Sprinkler Finishes:**  
Plain Brass

**Approvals/Listings:**

APPROVALS/LISTINGS	Model
	V4404
Nominal Thread Size (inches)	¾" NPT
Nominal Thread Size (mm)	20 BSP
Nominal K Factor Imperial	16.8
Nominal K Factor S.I. <sup>3</sup>	25
Response	Fast
Deflector Type	Pendent
Approved Temperature Ratings F°/C° <sup>4</sup>	
FM	162°F/72°C
	212°F/100°C

<sup>3</sup> For K-Factor when pressure is measured in Bar, multiply S.I. units by 10.

<sup>4</sup> Listings and Approvals as of printing.

**Ordering Information:**

Please specify the following when ordering:

Sprinkler Model Number	
Temperature Rating	
K-Factor	
Quantity	
Sprinkler Finish	
Wrench Model Number	

**Ratings:**

All links are rated for temperatures from -67°F/-55°C to those shown in table below.

Sprinkler Temperature Classification	Victaulic Part Identification	Temperature – °F/°C		Color Code Link/Fame
		Nominal Temperature Rating	Maximum Ambient Temperature Allowed	
Ordinary	N	162°F/72°C	100°F/38°C	Black/None
Intermediate	G	212°F/100°C	100°F/65°C	Black with White Dot /white arm

**WARNING**



- Always read and understand installation, care, and maintenance instructions, supplied with each box of sprinklers, before proceeding with installation of any sprinklers.
- Always wear safety glasses and foot protection.
- Depressurize and drain the piping system before attempting to install, remove, or adjust any Victaulic piping products.
- Installation rules, especially those governing obstruction, must be strictly followed.
- Painting, plating, or any re-coating of sprinklers (other than that supplied by Victaulic) is not allowed.



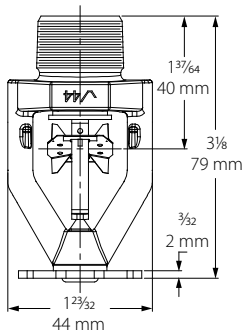
Failure to follow these instructions could result in serious personal injury and/or property damage.

The owner is responsible for maintaining the fire protection system and devices in proper operating condition. For minimum maintenance and inspection requirements, refer to the current National Fire Protection Association pamphlet that describes care and maintenance of sprinkler systems. In addition, the authority having jurisdiction may have additional maintenance, testing, and inspection requirements that must be followed.



If you need additional copies of this publication, or if you have any questions about the safe installation of this product, contact Victaulic World Headquarters: P.O. Box 31, Easton, Pennsylvania 18044-0031 USA, Telephone: 001-610-559-3300.

**Dimensions:**



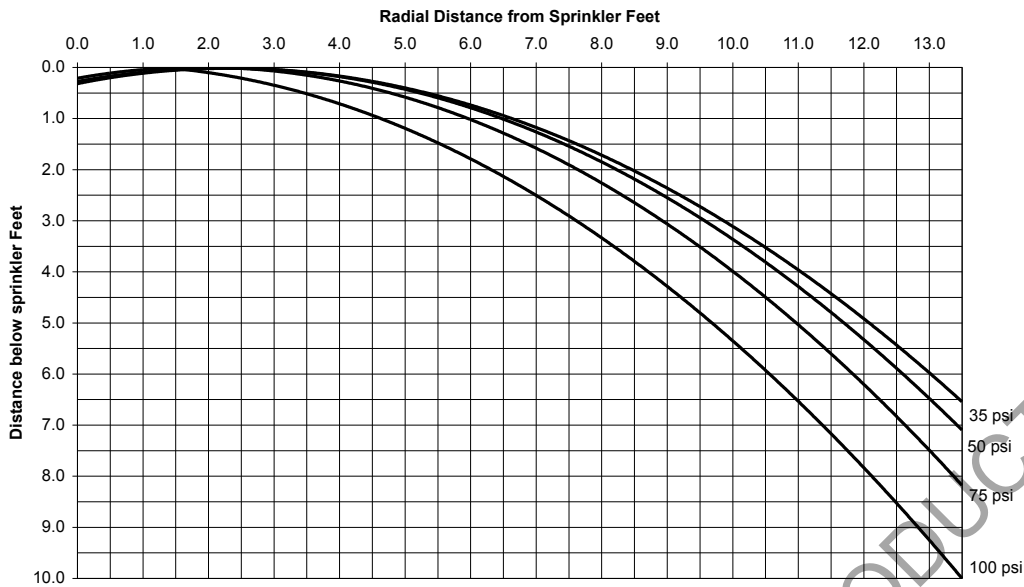
**Available Wrenches:**

Sprinkler Type	Open End
V4404 Pendent	V44

DISCONTINUED PRODUCT

**Nominal Wetting Patterns:**

Models V4404,  
K16.8 Pendent  
**V4404 Pendent Spray Pattern**



**NOTES:**

1. Data shown is approximate and can vary due to differences in installation.
2. These graphs illustrate approximate trajectories, floor-wetting, and wall-wetting patterns for these specific Victaulic FireLock Automatic Sprinklers. They are provided as information for guidance in avoiding obstructions to sprinklers and should not be used as minimum sprinkler spacing rules for installation. Refer to the appropriate NFPA National Fire Code or the Authority Having Jurisdiction for specific information regarding obstructions, spacing limitations and area of coverage requirements. Failure to follow these guidelines could adversely affect the performance of the sprinkler and will void all Listings, Approvals and Warranties.
3. All patterns are symmetrical to the centerline of the waterway.

DISCONTINUED PRODUCT

**Installation**

Reference should always be made to the I-40 Victaulic FireLock Automatic Sprinklers Installation and Maintenance Sheet for the product you are installing. This installation sheet is included with each shipment of Victaulic products for complete installation and assembly data, and is available in PDF format on our website at victaulic.com.

**Warranty**

Refer to the Warranty section of the current Price List or contact Victaulic for details.

**Note**

This product shall be manufactured by Victaulic or to Victaulic specifications. All products to be installed in accordance with current Victaulic installation/assembly instructions. Victaulic reserves the right to change product specifications, designs and standard equipment without notice and without incurring obligations.

**Trademarks**

*Victaulic* and all other Victaulic marks are the trademarks or registered trademarks of Victaulic Company, and/or its affiliated entities, in the U.S. and/or other countries.