

Style 2972 Aquamine® Plain-End PVC to Groove Transition Coupling

PRODUCT DESCRIPTION

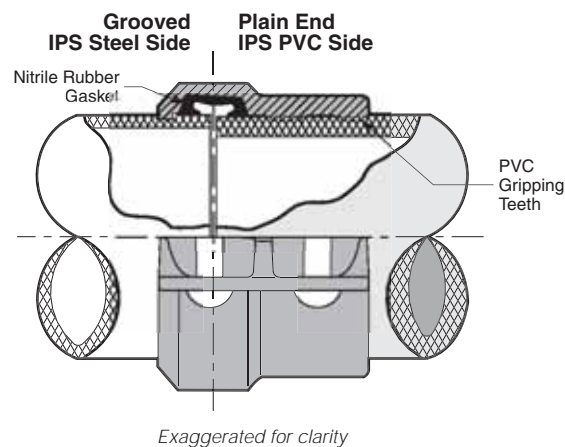


The new Aquamine® Style 2972 transition coupling provides the convenience of bolted, mechanical assembly for plain-end PVC pipe to grooved-end steel pipes, valves, and fittings. This coupling allows you to join shorter sections of PVC pipe, or insert fittings and valves into a pipe section without having to use special adapters.

The housings contain patented, specially formed teeth that grip into the PVC pipe as you tighten the bolts to achieve metal-to-metal contact at the pads. The grooved side contains a key section that engages with a standard roll or cut grooved IPS steel pipe of the same size as the mating IPS size PVC pipe.

Pipe preparation and coupling installation are fast and easy. All pipes need to be square cut, the PVC pipe needs to be marked for insertion depth, and the steel pipe needs to be cut or roll grooved, according to the installation tag included with the product. The entire coupling assembly includes the gasket, nuts, bolts, and washers.

The rugged, ductile iron coupling is rated to 350 psi (2415 kPa) working pressure or the working pressure of the PVC pipe, whichever is lower. The Style 2972 is designed for use with Aquamine PVC pipe at ambient temperatures (not to exceed 140°F/60°C) or other PVC pipe that conforms to ASTM D-2241 or ASTM F-1785 at ambient temperatures (not to exceed 140°F/60°C). This product accommodates PVC pipe wall thickness from SDR 26 to SDR 12.4 and schedule 40 and schedule 80.

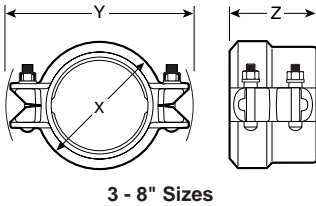
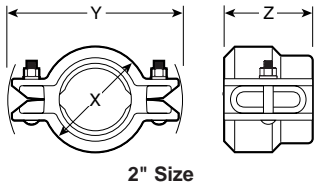


Housing – Durable ductile iron body for rugged service conditions. Integral gripping teeth provide connection to the pipe. Rust-resistant, blue enamel finish is standard. The ductile iron body conforms to ASTM A-536.

Gasket – Elastomer gasket with triple seal design provides a leak free seal for a wide variety of services. The Grade “T” nitrile gasket, (always refer to pipe manufacturer’s data for compatibility information) is suited for ambient water and petroleum services.

Bolts/Nuts/Washers – Zinc plated carbon steel bolts and nuts are supplied standard with Aquamine plain-end couplings. The four-bolt assembly speeds installation, versus solvent cement assembly or the multiple bolts required for flanged connections. Bolts have a minimum tensile strength of 110,000 psi. All sizes are supplied with hardened steel washers meeting ASTM F-436, Type 3 (weathering steel).

DIMENSIONS



Pipe Size		Dimensions Inches/millimeters			Bolt Data		
Nominal Diameter In./mm	Actual Outside Diameter In./mm	X	Y	Z	Quantity	Size Inches	
2 50	2.375 60,3	3.31 84	5.22 133	2.78 71	2	3/8	X 2
3 80	3.500 88,9	4.38 111	6.99 178	3.20 81	4	1/2	X 2 3/4
4 100	4.500 114,3	5.68 144	8.25 210	3.90 99	4	1/2	X 2 3/4
6 150	6.625 168,3	7.84 199	11.25 286	4.00 102	4	5/8	X 3 1/4
8 200	8.625 219,1	10.18 259	13.96 355	4.16 106	4	5/8	X 3 1/2

This product shall be manufactured by Victaulic Company. All products to be installed in accordance with current Victaulic installation/assembly instructions. Victaulic reserves the right to change product specifications, designs and standard equipment without notice and without incurring obligations.