

Victaulic Vortex™ Fire Suppression System



SERIES 953 ½ MS (MACHINE SPACE) EMITTER FOR USE WITH VICTAULIC VORTEX 1000 AND VICTAULIC VORTEX 1500 FIRE SUPPRESSION SYSTEMS

The Victaulic Vortex fire suppression system is a dual-fluid hybrid fire suppression system. The homogeneous suspension of inert gas mixed with ultra-fine droplets of water mist protects enclosures with two extinguishment mechanisms that are occurring simultaneously: flame temperature cooling and lowering of the ambient oxygen level.



SERIES 953 Emitter

PATENT # 7,721,811 - HIGH VELOCITY LOW PRESSURE EMITTERS. FOREIGN PATENTS ALSO APPLIED FOR AND GRANTED.

PRODUCT DESCRIPTION

The Series 953 ½ MS (Machine Space) Emitter is a Victaulic-patented device designed to distribute the hybrid water and nitrogen mixture to the hazard at a high velocity low pressure delivery. The water and nitrogen are mixed at the emitter and distributed as a homogenous suspension with great momentum. Using proprietary supersonic atomization technology, the emitter atomizes the water to <10µm forming a dense homogeneous suspension of nitrogen and water when discharged as total flooding fire suppression system.

Emitter Kit Includes:

- ¾"/19 mm NPT strainer, 100 mesh
 - ¾"/19 mm NPT 1.06 GPM/4.0 LPM flow cartridge
 - ¾"/19 mm NPT fittings
 - ¾"/19 mm NPT to ⅜"/9.5 mm copper tube compression fittings
 - ¼"/6.4 mm NPT x ⅜"/9.5 mm 90° copper tube compression fitting
- NOTE: ⅜"/9.5 mm tubing is not included

MATERIAL SPECIFICATIONS

Body (Foil, Water Jacket): UNS C36000 or UNS S316000 Stainless or Polyvinylidene Fluoride (PVDF) Plastic with Teflon*

* Teflon is a registered trademark of Dupont Co.

Finish: Plain Brass or Stainless Steel. Contact Victaulic for coatings other than standard options noted.

Orifice Size: ½"/15mm

Nitrogen Flow: 150 standard ft³ per minute / 45.7 standard m³ per minute

Water Flow: 1.06 GPM /4.01 LPM

Orientation: Pendent for machinery spaces, pendent or sidewall for turbine enclosures - avoid direct impinging on casing

Nitrogen Inlet: ¾"/19mm Male NPT

Water Inlet: ¼"/6.4mm Female NPT

Temperature Rating: None, open

JOB/OWNER	CONTRACTOR	ENGINEER
System No. _____	Submitted By _____	Spec Sect _____ Para _____
Location _____	Date _____	Approved _____
		Date _____

www.victaulic.com

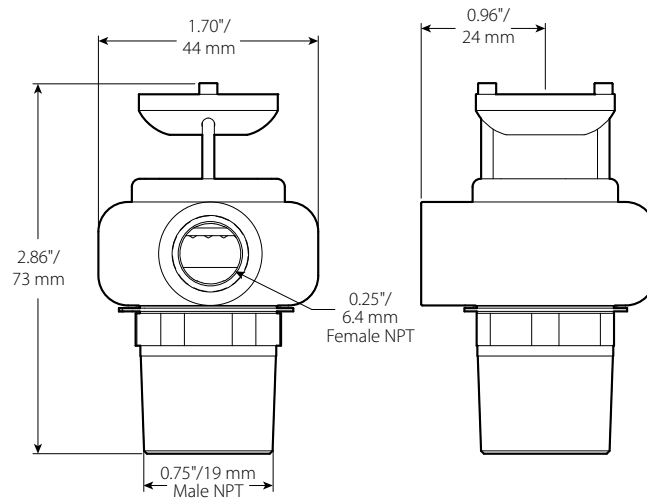
VICTAULIC IS A REGISTERED TRADEMARK OF VICTAULIC COMPANY. VICTAULIC VORTEX IS A TRADEMARK OF VICTAULIC COMPANY. © 2011 VICTAULIC COMPANY. ALL RIGHTS RESERVED.



Victaulic Vortex™ Fire Suppression System

SERIES 953 ½ MS (MACHINE SPACE) EMITTER FOR USE WITH VICTAULIC VORTEX 1000
AND VICTAULIC VORTEX 1500 FIRE SUPPRESSION SYSTEMS

DIMENSIONS



INSTALLATION

Reference should always be made to the applicable I-VORTEX Victaulic Design and Installation Manual for the product you are installing. Manuals are included with each shipment of Victaulic products for complete installation and assembly data.

WARRANTY

Refer to the Warranty section of the current Price List or contact Victaulic for details.

NOTE

This product shall be manufactured by Victaulic or to Victaulic specifications. All products to be installed in accordance with current Victaulic installation/assembly instructions. Victaulic reserves the right to change product specifications, designs and standard equipment without notice and without incurring obligations.

For complete contact information, visit www.victaulic.com

70.02 5464 REV D UPDATED 5/2011

VICTAULIC IS A REGISTERED TRADEMARK OF VICTAULIC COMPANY. VICTAULIC VORTEX IS A TRADEMARK OF VICTAULIC COMPANY.
© 2011 VICTAULIC COMPANY. ALL RIGHTS RESERVED.

