

Victaulic Vortex™ Hybrid Fire Extinguishing System Series 950 Water Tanks



1.0 PRODUCT DESCRIPTION

Application

- Provides a water supply for Victaulic Vortex™ 1000 and 1500 systems
- Tanks are supplied with pressure gauges, supervised water level switches, and sight glass
- Components shipped unassembled

Size

- Series 950 water supply tank options are available in 10, 30, 60, 80, 120, 200 and 400 gallon tank configurations

Pressure Rating

- Water supply tanks are rated to 200 psi
- Safety relief valves are set at 150 psi/1034 kPa w/274 SCFM capability

Operating Temperature

- 40°F to 130°F/4°C to 55°C

2.0 CERTIFICATION/LISTINGS

- Product designed and manufactured under the Victaulic Quality Management System, as certified by LPCB in accordance with ISO-9001:2015.
- Designed and constructed in accordance with ASME BPVC Section VIII Div. 1 – Rules for Construction of Pressure Vessels.

ALWAYS REFER TO ANY NOTIFICATIONS AT THE END OF THIS DOCUMENT REGARDING PRODUCT INSTALLATION, MAINTENANCE OR SUPPORT.

System No.		Location	
Submitted By		Date	

Spec Section		Paragraph	
Approved		Date	

3.0 SPECIFICATIONS – MATERIAL

Water Tank: Carbon steel

Exterior Finish: Epoxy coated red paint

Interior Finish: Epoxy coated white paint

Gauge Assembly: Brass

Nitrogen Inlet Assembly: Brass

Liquid Level Switch Assembly: Stainless steel

Sight Window: Stainless steel

Fill Assembly:

Ball Valve: Brass

Check Valve: Brass

Fittings: Zinc plated carbon steel

Drain Valve Assembly:

Ball Valve: Brass

Fittings: Zinc plated carbon steel

Relief Valve: Brass

3.1 SPECIFICATIONS - ELECTRICAL

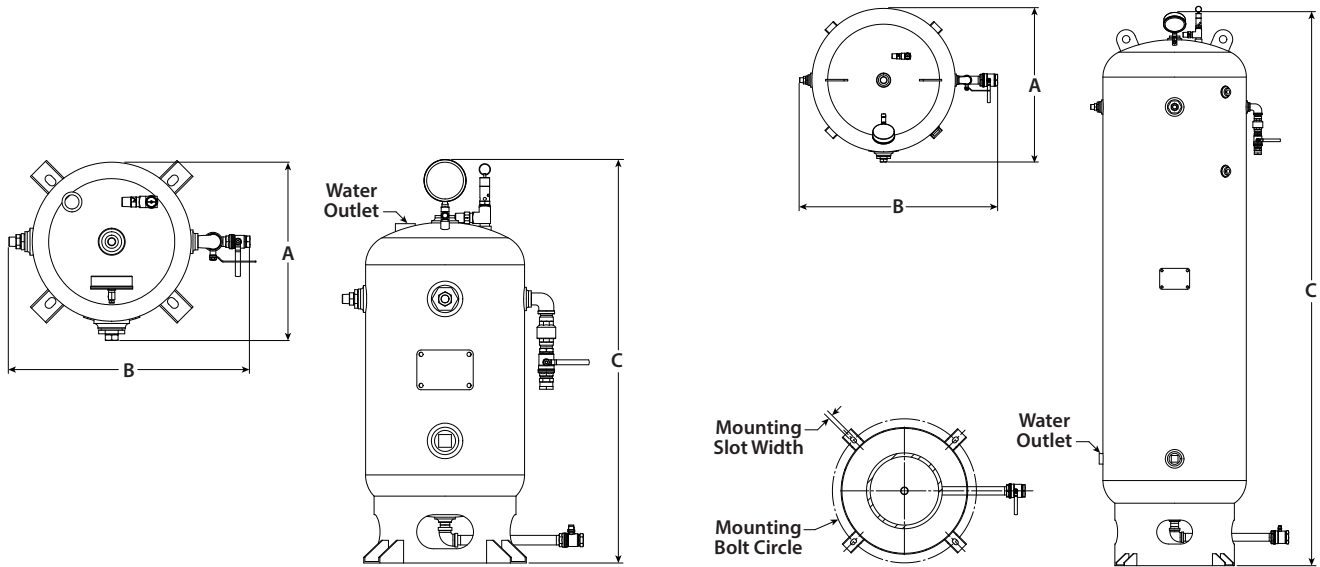
Liquid Level Switch:

- Contact Rating: 0.3 amps @ 30 24VDC

4.0 DIMENSIONS

Series 950

Water Tanks



Size	Dimensions			Mounting Slot Width	Mounting Bolt Circle	Weight
	Nominal gallons liters	A inches mm	B inches mm			
10	15.7	21.2	35.5	0.531	14.38	52
38	399	539	902	13.5	365.3	24
30	17.7	22.2	57.9	0.688	14.75	105
114	449	565	1471	17.5	374.7	48
60	21.7	24.8	68.8	0.688	18.75	189
227	551	630	1749	17.5	476.3	86
80	25.7	28.8	72.2	0.688	22.75	249
303	653	731	1834	17.5	577.9	113
120	25.7	33.1	92.6	0.688	22.75	353
454	653	842	2351	17.5	577.9	160
200	31.7	36.1	97.7	0.688	28.75	640
757	805	918	2482	17.5	730.3	290
400	37.7	40.8	130.8	0.688	34.75	1072
1514	957	1036	3322	17.5	882.7	486

NOTES

- Captive water supply for use with the Victaulic Vortex™ system includes pressure gauge with bleeder and fill assembly with garden hose thread connection and check valve.
- Fill connection: 3/4" Garden Hose Thread (GHT).
- Water Outlet: 1" NPT for 10 – 200 gallon tank, 2" NPT for 400 gallon tank.
- Drain Valve Assembly: 1/2" NPT 10 – 80 gallon tank, 1" NPT 120 – 400 gallon tank.
- Lifting lugs provided for 60 gallon and larger tanks.
- Nitrogen Inlet: 1/2" NPT

5.0 PERFORMANCE

- Water supply tanks are rated to 200 psi.
- Safety relief valves are set at 150 psi/1034 kPa w/274 SCFM capability.

6.0 NOTIFICATIONS

⚠ WARNING



- Always refer to the applicable Victaulic Vortex™ Hybrid Fire Extinguishing System General Design, Installation, and Maintenance Manual before specifying or installing any Victaulic Vortex™ products.
- Wear safety glasses, hardhat, and foot protection during installation and maintenance of a Victaulic Vortex™ Hybrid Fire Extinguishing System.
- It is the customer's responsibility to verify hybrid emitter material compatibility and that the proper size hybrid emitter and water flow control cartridge are specified in the system design.

Failure to follow instructions and warnings can cause system failure, resulting in death or serious personal injury and property damage.

7.0 REFERENCE MATERIALS

[10.17: FireLock™ Ball Valve Series 728 Submittal](#)

[70.03: Series 951 Panels for use with Victaulic Vortex™ 1500 Hybrid Fire Extinguishing Systems](#)

[70.06: Victaulic Vortex™ 1500 Hybrid Fire Extinguishing System Submittal](#)

[70.07: Victaulic Vortex™ 1500 Hybrid Fire Extinguishing System – Active Release Manifold Submittal](#)

User Responsibility for Product Selection and Suitability

Each user bears final responsibility for making a determination as to the suitability of Victaulic products for a particular end-use application, in accordance with industry standards and project specifications, and the applicable building codes and related regulations as well as Victaulic performance, maintenance, safety, and warning instructions. Nothing in this or any other document, nor any verbal recommendation, advice, or opinion from any Victaulic employee, shall be deemed to alter, vary, supersede, or waive any provision of Victaulic Company's standard conditions of sale, installation guide, or this disclaimer.

Intellectual Property Rights

No statement contained herein concerning a possible or suggested use of any material, product, service, or design is intended, or should be construed, to grant any license under any patent or other intellectual property right of Victaulic or any of its subsidiaries or affiliates covering such use or design, or as a recommendation for the use of such material, product, service, or design in the infringement of any patent or other intellectual property right. The terms "Patented" or "Patent Pending" refer to design or utility patents or patent applications for articles and/or methods of use in the United States and/or other countries.

Note

This product shall be manufactured by Victaulic or to Victaulic specifications. All products to be installed in accordance with current Victaulic installation/assembly instructions. Victaulic reserves the right to change product specifications, designs and standard equipment without notice and without incurring obligations.

Installation

Reference should always be made to the Victaulic installation handbook or installation instructions of the product you are installing. Handbooks are included with each shipment of Victaulic products, providing complete installation and assembly data, and are available in PDF format on our website at www.victaulic.com.

Warranty

Refer to the Warranty section of the current Price List or contact Victaulic for details.

Trademarks

Victaulic and all other Victaulic marks are the trademarks or registered trademarks of Victaulic Company, and/or its affiliated entities, in the U.S. and/or other countries.