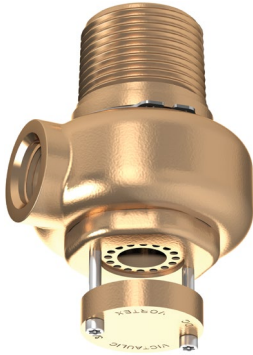


Victaulic® Vortex® Hybrid Emitters

Series 953 3/8" Hybrid Emitters for use with Victaulic Vortex 1500 Fire Suppression Systems



1.0 PRODUCT DESCRIPTION

- The Victaulic Vortex™ Fire Suppression System is a hybrid fire extinguishing system. The homogeneous suspension of inert gas mixed with ultra-fine droplets of water protects enclosures with two extinguishment mechanisms that are occurring simultaneously: flame temperature cooling and lowering of the ambient oxygen level.
- The Series 953 3/8" Total Flooding Hybrid Emitter is a Victaulic patented device designed to deliver the hybrid media.
- The water and nitrogen are mixed at the hybrid emitter and distributed as hybrid media.
- The hybrid emitter atomizes the water to <math><10\mu\text{m}</math>.

Hybrid Emitter Kit Includes

- 3/4"/19 mm NPT strainer, 100 mesh
- 3/4"/19 mm NPT .26 GPM/.98 LPM flow cartridge
- 3/4"/19 mm NPT fittings
- 3/4"/19 mm NPT to 3/8"/9.5 mm copper tube compression fitting
- 1/4"/6.4 mm NPT x 3/8"/9.5 mm 90° copper tube compression fitting

NOTE

- 3/8"/9.5 mm copper tubing for connecting the compression fitting on the hybrid emitter to the flow control cartridge is not included

2.0 CERTIFICATION/LISTINGS

Product designed and manufactured under the Victaulic Quality Management System, as certified by LPCB in accordance with ISO-9001:2008.

ALWAYS REFER TO ANY NOTIFICATIONS AT THE END OF THIS DOCUMENT REGARDING PRODUCT INSTALLATION, MAINTENANCE OR SUPPORT.

System No.		Location	
Submitted By		Date	

Spec Section		Paragraph	
Approved		Date	

3.0 SPECIFICATIONS – MATERIAL

Body (Foil, Water Jacket): (specify choice)

- UNS C36000 Brass
- UNS S316000 Stainless

Finish: (specify choice)

- Plain Brass
- Stainless Steel

Contact Victaulic for coatings other than standard options noted.

Orifice Size: 3/8"/9.5mm

Nitrogen Flow:

- 82 Standard ft³ per minute/139 Standard m³ per hour at 25 psi/1.7 bar/170kPa
- 110 Standard ft³ per minute/187 Standard m³ per hour at 40 psi/2.8bar/280 kPa

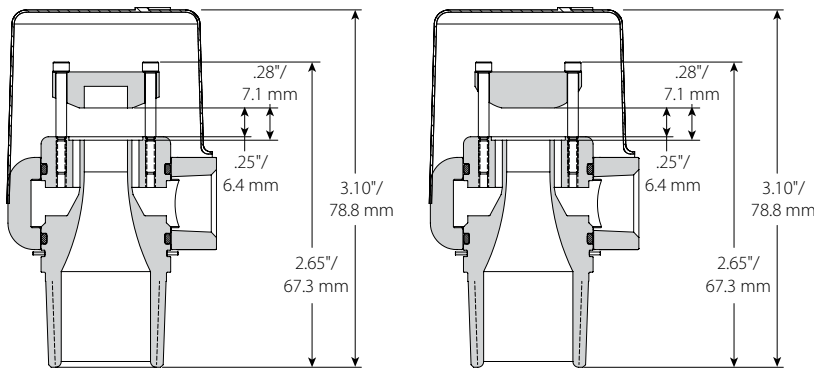
Water Flow: Set by flow cartridge

Orientation: Pendent or sidewall for machine spaces or data centers - avoid direct placement over equipment.

Nitrogen Inlet: 3/4"/19mm Male NPT

Water Inlet: 1/4"/6.4mm Female NPT

4.0 DIMENSIONS



5.0 PERFORMANCE

Not applicable – contact Victaulic with any questions.

6.0 NOTIFICATIONS

WARNING



- Always refer to the applicable Victaulic Vortex™ Fire Suppression System General Design, Installation, and Maintenance Manual before specifying or installing any Victaulic Vortex™ products.
- Wear safety glasses, hardhat, and foot protection during installation and maintenance of a Victaulic Vortex™ Fire Suppression System.
- It is the customer's responsibility to verify hybrid emitter material compatibility and that the proper size hybrid emitter and water flow control cartridge are specified in the system design.

Failure to follow instructions and warnings can cause system failure, resulting in death or serious personal injury and property damage.

7.0 REFERENCE MATERIALS

[70.06: Victaulic Vortex™ 1500 Fire Suppression System Submittal](#)

[70.07: Victaulic Vortex™ 1500 Fire Suppression System - Active Release Manifold Submittal](#)

User Responsibility for Product Selection and Suitability

Each user bears final responsibility for making a determination as to the suitability of Victaulic products for a particular end-use application, in accordance with industry standards and project specifications, and the applicable building codes and related regulations as well as Victaulic performance, maintenance, safety, and warning instructions. Nothing in this or any other document, nor any verbal recommendation, advice, or opinion from any Victaulic employee, shall be deemed to alter, vary, supersede, or waive any provision of Victaulic Company's standard conditions of sale, installation guide, or this disclaimer.

Intellectual Property Rights

No statement contained herein concerning a possible or suggested use of any material, product, service, or design is intended, or should be construed, to grant any license under any patent or other intellectual property right of Victaulic or any of its subsidiaries or affiliates covering such use or design, or as a recommendation for the use of such material, product, service, or design in the infringement of any patent or other intellectual property right. The terms "Patented" or "Patent Pending" refer to design or utility patents or patent applications for articles and/or methods of use in the United States and/or other countries.

Note

This product shall be manufactured by Victaulic or to Victaulic specifications. All products to be installed in accordance with current Victaulic installation/assembly instructions. Victaulic reserves the right to change product specifications, designs and standard equipment without notice and without incurring obligations.

Installation

Reference should always be made to the Victaulic installation handbook or installation instructions of the product you are installing. Handbooks are included with each shipment of Victaulic products, providing complete installation and assembly data.

Warranty

Refer to the Warranty section of the current Price List or contact Victaulic for details.

Trademarks

Victaulic and all other Victaulic marks are the trademarks or registered trademarks of Victaulic Company, and/or its affiliated entities, in the U.S. and/or other countries.