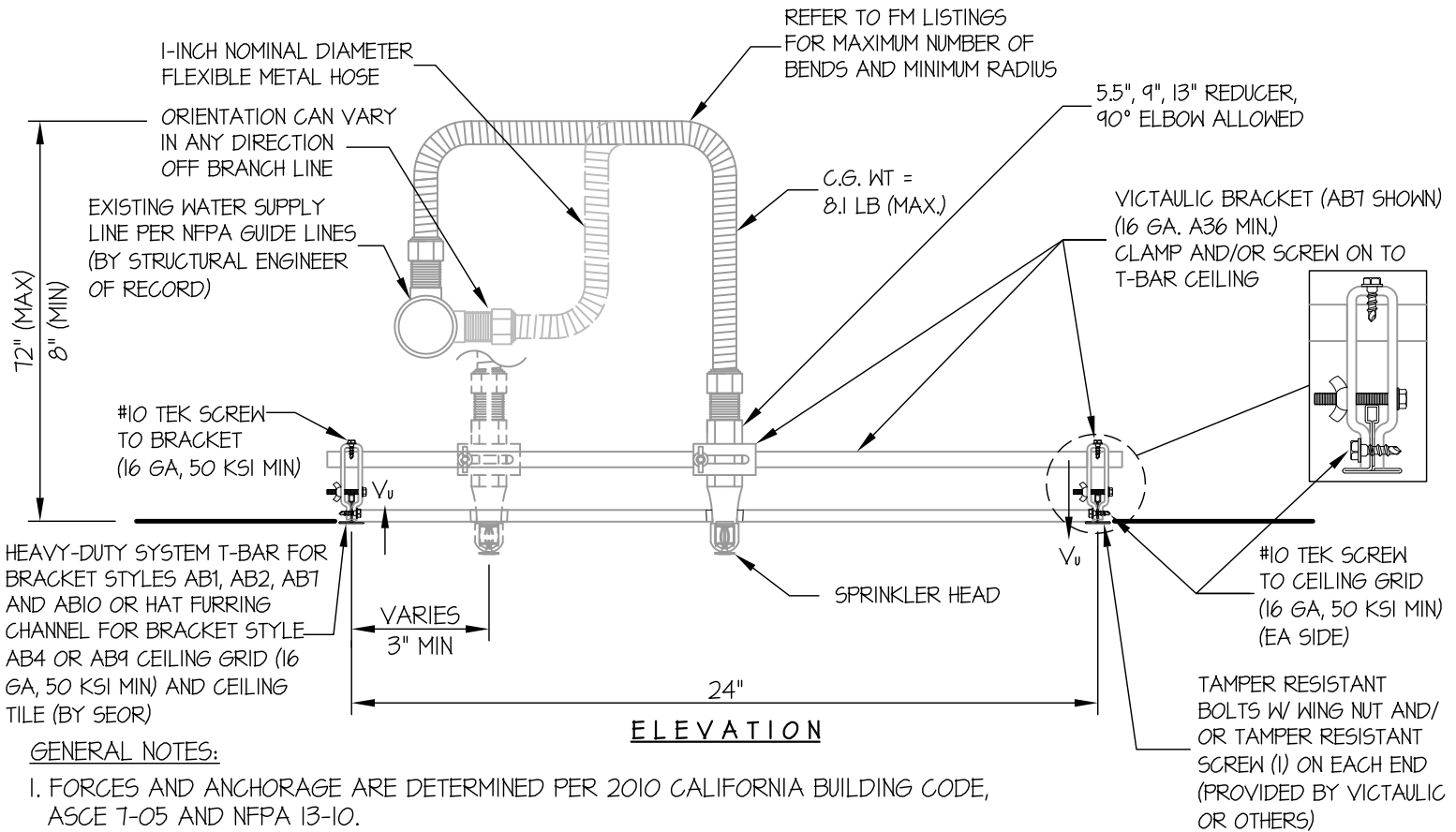


VICTAULIC	DES. J. ROBERSON	SHEET 1
	JOB NO. 11-1068	OF 4 SHEETS
	DATE 8/30/13	

SEISMIC ANCHORAGE PRE-APPROVED DETAIL

CEILING MOUNT

Office of Statewide Health Planning and Development
ANCHORAGE PRE-APPROVAL



GENERAL NOTES:

- FORCES AND ANCHORAGE ARE DETERMINED PER 2010 CALIFORNIA BUILDING CODE, ASCE 7-05 AND NFPA 13-10.
 HORIZONTAL FORCE (E_h) = $2.00 W_p$ ($S_D5 = 2.00, a_p = 2.5, I_p = 1.5, R_p = 4.5, z/h \leq 1.0$)
 VERTICAL FORCE (E_v) = $0.40 W_p$
- PRODUCT APPROVED AND LISTED FOR ITS INTENDED PURPOSE, FM APPROVAL PROJECT ID 3045981, CLASS 1631 AND FM 797 AB10
- STRUCTURAL ENGINEER OF RECORD FOR THE BUILDING SHALL PROVIDE SUPPORT STRUCTURE DESIGNED TO SUPPORT WEIGHTS AND FORCES SHOWN, IN COMBINATION WITH ALL OTHER LOADS THAT MAY BE PRESENT.
- STRUCTURAL ENGINEER OF RECORD TO VERIFY THAT THE ASSEMBLY WILL PERMIT ADEQUATE DISPLACEMENT IN ALL DIRECTIONS.
- WHEN INSTALLED AND SUPPORTED BY SUSPENDED CEILING, THE CEILING SHALL MEET & BE INSTALLED IN ACCORDANCE WITH ASTM-C635, ASTM-C636, AND ASTM-E580 SECTION 5 AS MODIFIED BY SECTION 13.5.6.2.2 (MODIFICATION TO ASTM E580).
- FLEXIBLE SPRINKLER HOSE LENGTHS CAN NOT EXCEED 6 FT.

$V_u = 170$ LB/BOLT (MAX)



A P P R O V E D

Fixed Equipment Anchorage
 Office of Statewide Health Planning and Development

OPA-2255-10

Pre-approval Program Manager:
 Jeffrey Y. Kikumoto
 (916) 440-8408

Reviewed By: Jeffrey Y. Kikumoto

8/30/13

VICTAULIC	DES. J. ROBERSON	SHEET 2
	JOB NO. 11-1068	OF 4 SHEETS
	DATE 8/30/13	

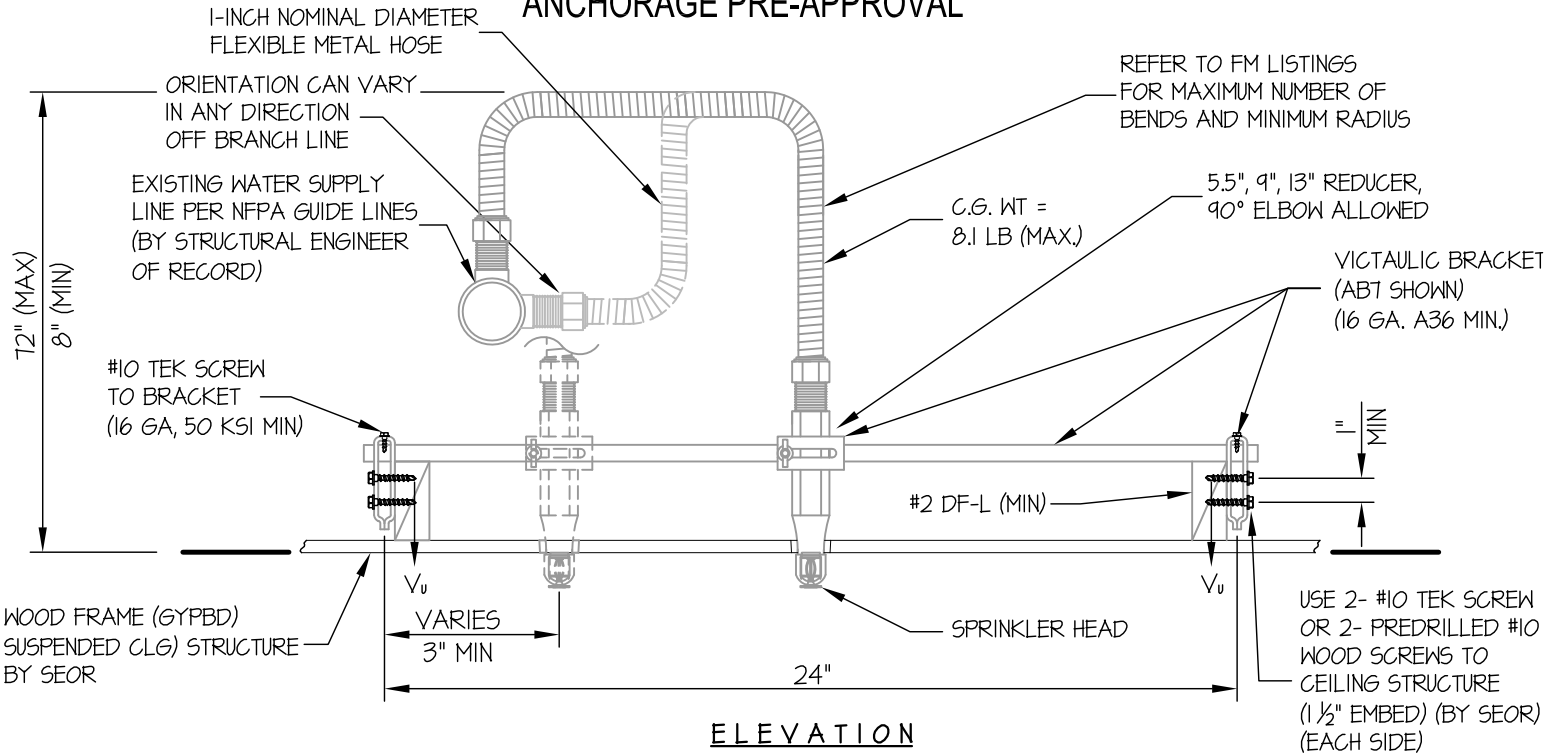
SERIES AH2 SPRINKLER FITTINGS

SEISMIC ANCHORAGE PRE-APPROVED DETAIL

CEILING MOUNT

Office of Statewide Health Planning and Development

ANCHORAGE PRE-APPROVAL



ELEVATION

2 X 4 WOOD STUD INSTALLATION

GENERAL NOTES:

1. FORCES AND ANCHORAGE ARE DETERMINED PER 2010 CALIFORNIA BUILDING CODE, ASCE 7-05 AND NFPA 13-10.

HORIZONTAL FORCE (E_h) = 2.00 W_p ($S_D5 = 2.00, a_p = 2.5, I_p = 1.5, R_p = 4.5, z/h \leq 1.0$)

VERTICAL FORCE (E_v) = 0.40 W_p

$V_u = 86 \text{ LB/BOLT (MAX)}$

2. PRODUCT APPROVED AND LISTED FOR ITS INTENDED PURPOSE, FM APPROVAL PROJECT ID 3045981, CLASS 1631 AND FM 797 AB10
3. STRUCTURAL ENGINEER OF RECORD FOR THE BUILDING SHALL PROVIDE SUPPORT STRUCTURE DESIGNED TO SUPPORT WEIGHTS AND FORCES SHOWN, IN COMBINATION WITH ALL OTHER LOADS THAT MAY BE PRESENT.
4. STRUCTURAL ENGINEER OF RECORD TO VERIFY THAT THE ASSEMBLY WILL PERMIT ADEQUATE DISPLACEMENT IN ALL DIRECTIONS.

5. WHEN INSTALLED AND SUPPORTED BY SUSPENDED CEILINGS, THE CEILING SHALL MEET & BE INSTALLED IN ACCORDANCE WITH ASTM-C635, ASTM-C636, AND ASTM-E580 SECTION 5 AS MODIFIED BY SECTION 13.5.6.2.2 (MODIFICATION TO ASTM E580).

6. FLEXIBLE SPRINKLER HOSE LENGTHS CAN NOT EXCEED 6 FT.



A P P R O V E D

Fixed Equipment Anchorage
Office of Statewide Health Planning and Development

OPA-2255-10

Pre-approval Program Manager:
Jeffrey Y. Kikumoto
(916) 440-8408

Reviewed By: Jeffrey Y. Kikumoto 8/30/13

VICTAULIC

SERIES AH2 SPRINKLER FITTINGS

DES. **J. ROBERSON**

JOB NO. **11-1068**

DATE **8/30/13**

SHEET

3

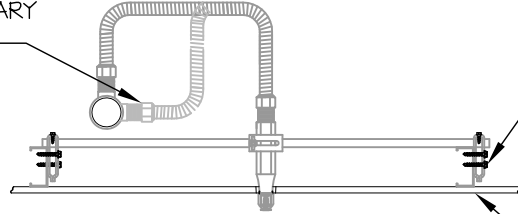
OF **4** SHEETS

SEISMIC ANCHORAGE PRE-APPROVED DETAIL

SEE PAGE 1&2 OF 3 FOR DETAILS

CEILING MOUNT

ORIENTATION CAN VARY
 IN ANY DIRECTION
 OFF BRANCH LINE

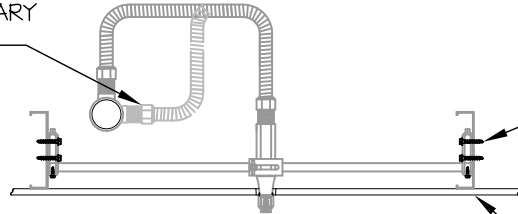


USE 2- #10 TEK SCREW
 TO CEILING STRUCTURE
 (BY STRUCTURAL
 ENGINEER OF RECORD)
 (EACH SIDE)

METAL FRAME GYPBD
 SUSPENDED CLG

2X4 STEEL STUD INSTALLATION

ORIENTATION CAN VARY
 IN ANY DIRECTION
 OFF BRANCH LINE

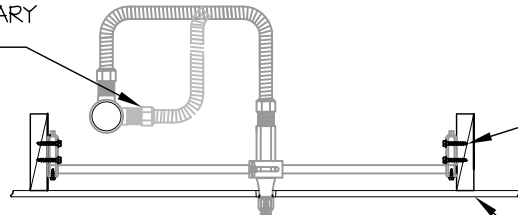


USE 2- #10 TEK SCREWS
 TO CEILING STRUCTURE (BY
 STRUCTURAL ENGINEER OF
 RECORD) (EACH SIDE)

METAL FRAME GYPBD
 SUSPENDED CLG

2X6, 2X8, 2X10 AND 2X12 STEEL STUD INSTALLATION

ORIENTATION CAN VARY
 IN ANY DIRECTION
 OFF BRANCH LINE



USE 2- #10 TEK SCREWS
 OR 2- PREDRILLED #10
 WOOD SCREWS TO
 CEILING STRUCTURE (BY
 STRUCTURAL ENGINEER
 OF RECORD)
 (EACH SIDE)

WOOD FRAME GYPBD
 SUSPENDED CLG

2X6, 2X8, 2X10 AND 2X12 WOOD STUD INSTALLATION

BRACKETS AVAILABLE UP TO 48" WIDE (EXCEPTION AB-10; 4" TO 6" LENGTH OF SQ BAR), BUT CAN BE ADJUSTED TO ANY WIDTH.

PRODUCT MUST BE INSTALLED PER THE MANUFACTURER'S INSTALLATION INSTRUCTIONS



VICTAULIC

SERIES AH2 SPRINKLER FITTINGS

DES. **J. ROBERSON**

JOB NO. **11-1068**

DATE **8/30/13**

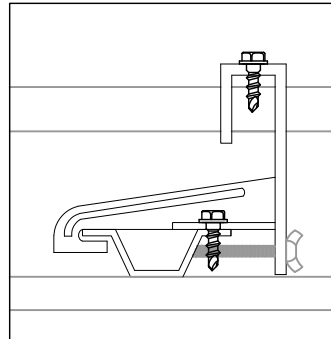
SHEET

4

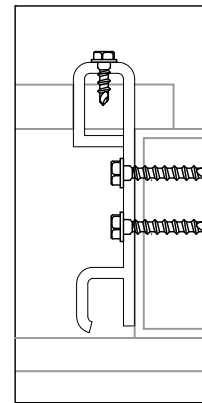
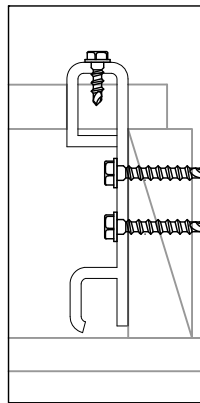
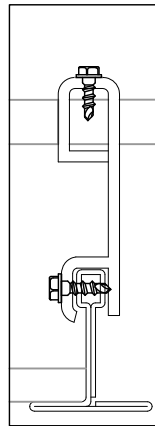
OF **4** SHEETS

SEISMIC ANCHORAGE

CEILING MOUNT



AB4 & AB9 BRACKETS



AB1, AB2 & AB10 BRACKETS

