

## SERIES GL-QR/CNV STANDARD COVERAGE, QUICK RESPONSE CONVENTIONAL (OLD STYLE) SPRINKLER K-FACTOR: 5.6, 8.0

### GENERAL DESCRIPTION

The Series GL-QR/CNV, 5.6 and 8.0 K-factor, Conventional (Old Style) Sprinklers described in this data sheet are quick response, standard coverage, 3mm glass bulb type sprinklers. These sprinklers are intended to be installed in the upright or pendent orientations. In either position, they produce a spherical water discharge pattern with approximately 50% of the discharge directed upwards and approximately 50% of the discharge directed downwards. The National Fire Protection Association (NFPA) permits the use of Conventional (Old Style) Sprinklers where special construction features require a unique water distribution; for the protection of Marine Terminals, Piers, and Wharves, and Fur Vaults.

### OPERATION

Upon exposure to heat such as from a fire, the fluid in the bulb expands, compressing the air bubble within the bulb. When the air bubble can no longer compress, the fluid expansion causes breakage of the glass bulb, resulting in release of the water seat assembly, and discharge of water from the sprinkler.

### INSTALLATION

#### NOTICE

Do not install any bulb-type sprinkler if the bulb is cracked or there is loss of liquid from the bulb. Sprinklers should be tightened enough to obtain a leak-tight joint when water pressure is applied and/or hydrostatic test is performed. Sprinklers should not be overtightened as this can result in distortion and subsequent leakage. It is recommended not to exceed 14 ft.-lb. (19.0 Nm) torque for 1/2 inch NPT sprinkler threads; 20 ft.-lb. (26.8 Nm) to 3/4 inch NPT threads.

- Step1.** Sprinklers must be properly oriented.
- Step2.** With pipe thread sealant applied to the pipe threads, hand tighten the sprinkler into the sprinkler fitting. *Note: Do not grasp the sprinkler by the deflector.*
- Step3.** Wrench-tighten the sprinkler using only the appropriate wrench. Wrenches are only to be applied to the sprinkler wrench flats or wrench hex as applicable. *Note: Do not apply wrench to frame arms.*



### TECHNICAL DATA

#### SIN

- GL5624
- GL8125

#### Approvals

- cULus • FM • LPC • CE
- See Approval Table

#### Maximum Working Pressure

- 175 psi (12 bar)

#### Minimum Operating Pressure

- 7 psi (48 kPa)

#### Temperature Rating

- See Approval Table

#### Materials of Construction

- Frame - bronze • Deflector - brass • Screw - brass
- Lodgement Wire - stainless steel • Bulb seat - copper
- Spring - nickel alloy • Seal - teflon
- Bulb-glass:  
Quick Response w/ alcohol based solution, 3mm

### FINISHES AND ACCESSORIES

#### Finishes

- Factory Bronze • Chrome • White Polyester
- Black Polyester - *special order*

#### Wrenches

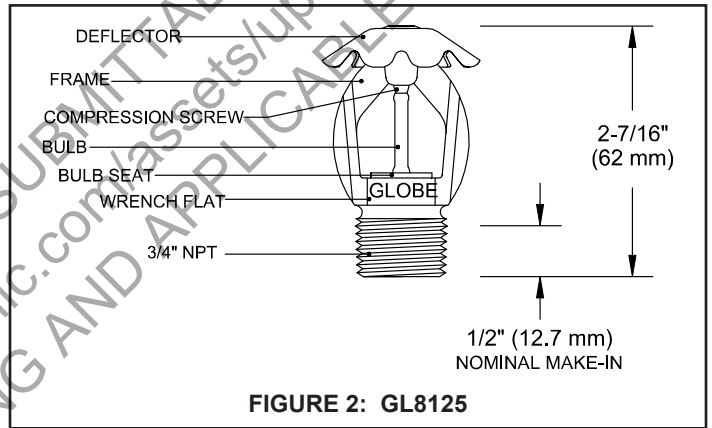
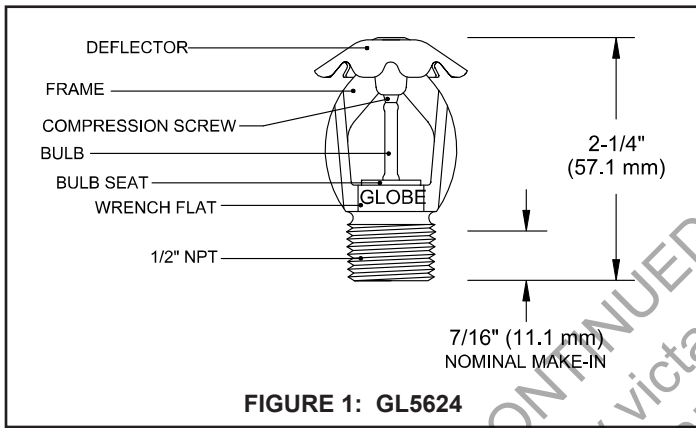
- Standard • 1/2" NPT • 3/4" NPT

#### NOTE:

Users should refer to Globe's web site ([www.globesprinkler.com](http://www.globesprinkler.com)) to ensure that the most recent technical literature is being utilized.

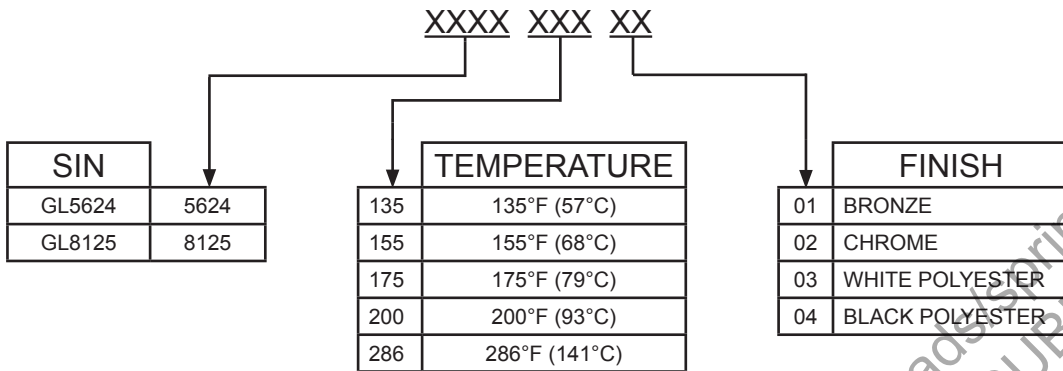
## TABLE A: APPROVALS

SIN	GL5624	GL8125
ORIENTATION	UPRIGHT or PENDENT	UPRIGHT or PENDENT
K-FACTOR	5.6 (80 metric)	8.0 (115 metric)
NPT	1/2" (15mm)	3/4" (20mm)
RESPONSE	QUICK	QUICK
HAZARD	L.H./O.H.	L.H./O.H.
LPCB Ref. No. 147c/05	135°F (57°C) 155°F (68°C) 175°F (79°C) 200°F (93°C) 286°F (141°C)	NA
CE	135°F (57°C) 155°F (68°C) 175°F (79°C) 200°F (93°C) 286°F (141°C)	135°F (57°C) 155°F (68°C) 175°F (79°C) 200°F (93°C) 286°F (141°C)



## TABLE B: PART NUMBER SELECTION

PART NUMBER  
SIN + TEMPERATURE + FINISH



*Note: All combinations may not be available.  
Refer to Listing/Approval Tables for available listed combinations.*

### CARE AND MAINTENANCE

Prior to installation, it is important to read and follow the "Sprinkler Caution" sheet included within each box of sprinklers. This sheet (GFS-840) is available on Globe's web site ([www.globesprinkler.com](http://www.globesprinkler.com)).

Store sprinklers in a cool, dry place. Exposure to extreme heat will damage the thermal sensing element, possibly resulting in premature activation. Avoid direct sunlight.

Replace any sprinkler that shows any corrosion, damage, or loss of liquid from the glass bulb.

Do not attempt to paint or alter the sprinkler's coating in any manner after leaving the manufacturing plant.

Do not attach wiring, ropes, decorations or fixtures to a sprinkler.

Absence of an escutcheon, used to cover a ceiling hole, may delay sprinkler operation in a fire situation.

It is the owner's responsibility for inspection, testing and maintenance of the fire sprinkler system with all components and devices in accordance with the National Fire Protection Association Pamphlet 25 as well as any other requirements as set forth by the local Authority Having Jurisdiction (AHJ).

### ORDERING INFORMATION

**SPECIFY:**

- SPRINKLER
  - Quantity • SIN • Orientation • Orifice • NPT • Temperature Rating
  - Finish • Part Number (See TABLE B)
- WRENCH
  - Quantity • Part Number
  - 1/2" NPT Standard . . . . .325390
  - 3/4" NPT Standard . . . . .312366

### GLOBE® PRODUCT WARRANTY

Globe agrees to repair or replace any of its manufactured products found to be defective in material or workmanship for a period of one year from date of shipment. For specific details of our warranty please refer to Price List Terms and Conditions of Sale (Our Price List).

