



**THE INCH®
STANDARD RESPONSE
GL5653 ONE INCH
ADJUSTABLE CONCEALED
PENDENT WITH COVER PLATE
TO MEET IBC-ASCE/SEI 7 CODES
FOR SEISMIC AREAS C,D & E**

DESCRIPTION AND OPERATION

The Globe GL5653 Adjustable Concealed Pendent Sprinkler has a low profile, aesthetically pleasing design. It offers the additional feature of greatly increased safety to life and should be used advisedly and under the direction of approving authorities having jurisdiction. The sprinkler is available with a nominal 1" of adjustment and a low profile cover plate assembly. **The 4 1/2" diameter cover plate allows for 1" clearance around the sprinkler body, and meets the IBC-ASCE/SEI 7 requirements for the use in seismic design categories C, D, & E.** The Series GL-SR Concealed Sprinkler may be virtually invisible as it does not interrupt the "smooth flow" of the ceiling. Globe's Concealed Sprinkler utilizes its 5mm frangible glass ampule which is located above the ceiling and concealed from view by the ceiling plate.

The provided protective cap needs to be removed in order to install the sprinkler with the proper wrench. The protective cap must be replaced on the sprinkler until the time the cover plate is to be installed. The "push on - screw off" designed cover plate is easily installed and with a nominal 1" of adjustment makes it easier to get a proper fit at the ceiling.

Operation of the sprinkler occurs when heat build up causes the solder holding the cover plate to the support shell to melt allowing the cover plate to fall clear. Continued heat build up causes the 5mm glass bulb to burst allowing the deflector to drop down and distribute water in an approved pattern to extinguish or control the fire.

TECHNICAL DATA

- See reverse side for Approvals and Specifications.
- Temperature Ratings -
 - 135°F (57°C) Sprinkler, 135°F (57°C) Cover Plate
 - 155°F (68°C) Sprinkler, 135°F (57°C) Cover Plate
 - 155°F (68°C) Sprinkler, 155°F (68°C) Cover Plate
 - 175°F (79°C) Sprinkler, 155°F (68°C) Cover Plate
 - 200°F (93°C) Sprinkler, 155°F (68°C) Cover Plate
- Water Working Pressure Rating - 175 psi (12 Bars)
- Factory tested hydrostatically to 500 psi (34 Bars)
- Maximum low temperature glass bulb rating is -67°F (-55°C)
- Frame - bronze • Deflector - brass • Screw - brass
- Lodgement Wire - stainless steel • Bulb seat - copper
- Spring - nickel alloy • Seal - teflon • Drop Pin - stainless steel
- Bulb - glass with glycerin based solution, 5mm size
- Cover Plate - brass • Upper Escutcheon Assembly - steel



**4 1/2" diameter plate
SERIES GL-SR/INCH
ONE INCH ADJUSTABLE
CONCEALED PENDENT**

NOTE: Globe's wrench P/N 332765 must be used to install this sprinkler.

• SPRINKLER TEMPERATURE RATING/CLASSIFICATION and COLOR CODING

CLASSIFICATION	AVAILABLE SPRINKLER TEMPERATURES		BULB COLOR	N.F.P.A. MAXIMUM CEILING TEMPERATURE	
ORDINARY	135°F/155°F	57°C/68°C	ORANGE/RED	100°F	38°C
INTERMEDIATE	175°F/200°F	79°C/93°C	YELLOW/GREEN	150°F	66°C

THE INCH® STANDARD RESPONSE GL5653 ONE INCH ADJUSTABLE CONCEALED PENDENT WITH COVER PLATE TO MEET IBC-ASCE/SEI 7 CODES FOR SEISMIC AREAS C, D & E

SPECIFICATIONS

NOMINAL "K" FACTOR	THREAD SIZE	LENGTH	FLAT COVER PLATE FINISHES****
5.6 (80 metric)	1/2"NPT (15mm)	2 1/2" (6.4cm)	Chrome White Painted

NOTE: METRIC CONVERSIONS ARE APPROXIMATE.

****FACTORY PAINTED COVER PLATES MUST NOT BE REPAINTED. NON-FACTORY APPLIED PAINT MAY ADVERSELY DELAY OR PREVENT SPRINKLER OPERATION IN THE EVENT OF A FIRE.

APPROVALS

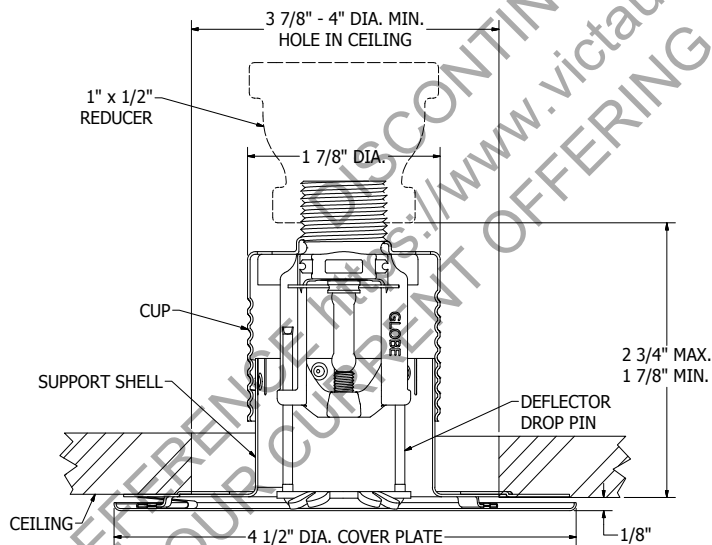
STYLE	SIN	HAZARD ¹	135°F (57°C) Flat Cover Plate		155°F (68°C) Flat Cover Plate			cULus
			135°F (57°C) Sprinkler	155°F (68°C) Sprinkler	155°F (68°C) Sprinkler	175°F (79°C) Sprinkler	200°F (93°C) Sprinkler	
Adjustable Concealed Pendent	GL5653	LH/OH	X	X	X	X	X	X

¹SPRINKLERS SHALL BE LIMITED AS PER THE REQUIREMENTS OF NFPA13 AND ANY OTHER RELATED DOCUMENTS.

OH: ORDINARY HAZARD

LH: LIGHT HAZARD

CROSS SECTION



4 1/2" DIAMETER FLAT COVER PLATE PART NUMBERS

WHITE 135°F (57°C)	332828
WHITE 155°F (68°C)	332822
CHROME 135°F (57°C)	332821
CHROME 155°F (68°C)	332827

1" ADJUSTMENT FLAT PLATE CONCEALED PENDENT

ORDERING INFORMATION SPECIFY

- Quantity • SIN • Style • Orifice
- Thread Size • Temperature • Finishes desired
- Quantity - Wrenches - P/N 332765
- Quantity - Protective Caps - P/N 332695

GLOBE® PRODUCT WARRANTY

Globe agrees to repair or replace any of its own manufactured products found to be defective in material or workmanship for a period of one year from date of shipment.

For specific details of our warranty please refer to Price List Terms and Conditions of Sale (Our Price List).