



**QUICK RESPONSE  
EXTENDED COVERAGE  
LIGHT HAZARD  
AUTOMATIC SPRINKLER  
GL8104  
ADJUSTABLE  
CONCEALED PENDENT**

**DESCRIPTION AND OPERATION**

The Globe Quick Response GL8104 Extended Coverage Concealed Pendent Sprinkler is a low profile, aesthetically pleasing design. It provides sprinkler operation approximately six times faster than ordinary sprinklers and can be installed wherever standard concealed spray sprinklers are specified when allowed by the applicable standards, and in accordance with NFPA 13. It offers the additional feature of greatly increased safety to life and should be used advisedly and under the direction of approving authorities having jurisdiction. All that is seen at the ceiling is a 3 15/16" diameter ceiling plate color finished to match the specifier's exact requirements. The GL8104 Concealed Sprinkler may be virtually invisible as it does not interrupt the "smooth flow" of the ceiling. Globe's Concealed Sprinkler utilizes its 3mm frangible glass ampule type sprinkler which is located above the ceiling and concealed from view by the ceiling plate. The ceiling plate is soldered to the sprinkler's special upper support assembly in three places. Upon the application of sufficient heat, the plate falls to the floor exposing the quick response pendent spray sprinkler. At the ampule's rated temperature, the sprinkler opens discharging water onto the floor in its required and approved distribution pattern.

**TECHNICAL DATA**

- See reverse side for Approvals and Specifications.
- Temperature Ratings -
- 135°F (57°C) Sprinkler, 135°F (57°C) Cover Plate
- 155°F (68°C) Sprinkler, 135°F (57°C) Cover Plate
- 175°F (79°C) Sprinkler, 155°F (68°C) Cover Plate
- 200°F (93°C) Sprinkler, 155°F (68°C) Cover Plate
- Water Working Pressure Rating - 175 psi (12 Bars)
- Factory tested hydrostatically to 500 psi (34 Bars)
- Maximum low temperature glass bulb rating is -67°F (-55°C)
- Frame - bronze • Deflector - brass • Screw - brass
- Bulb Seat - copper • Spring - nickel alloy • Seal - teflon
- Bulb - glass with alcohol based solution, 3mm size
- Cover Plate - brass • Upper Escutcheon Assembly - steel



**SERIES GL-QR/ECLH/DC  
CONCEALED  
PENDENT**

**• SPRINKLER TEMPERATURE RATING/CLASSIFICATION and COLOR CODING**

CLASSIFICATION	AVAILABLE SPRINKLER TEMPERATURES		BULB COLOR	N.F.P.A. MAXIMUM CEILING TEMPERATURE	
ORDINARY	135°F/155°F	57°C/68°C	ORANGE/RED	100°F	38°C
INTERMEDIATE	175°F/200°F	79°C/93°C	YELLOW/GREEN	150°F	66°C

# QUICK RESPONSE EXTENDED COVERAGE LIGHT HAZARD AUTOMATIC SPRINKLER GL8104 ADJUSTABLE CONCEALED PENDENT

## SPECIFICATIONS AND APPROVALS

SIN	NOMINAL "K" FACTOR	THREAD SIZE	LENGTH	HAZARD <sup>1</sup>	135°F (57°C) Cover Plate		155°F (68°C) Cover Plate		cULus	DOMED COVER PLATE FINISHES***
					135°F (57°C) Sprinkler	155°F (68°C) Sprinkler	175°F (79°C) Sprinkler	200°F (93°C) Sprinkler		
GL8104	8.0	3/4"NPT (19mm)	2 1/2" (6.4cm)	LH	X	X	X	X	X	Chrome White Painted Other Painted Finishes <sup>2,3</sup>

**NOTE:** METRIC CONVERSIONS ARE APPROXIMATE.

<sup>1</sup>SPRINKLER SHALL BE LIMITED AS PER THE REQUIREMENTS OF NFPA13 AND ANY OTHER RELATED DOCUMENTS.

<sup>2</sup>FOR PAINTED PLATES OTHER THAN WHITE, CONTACT GLOBE FOR ORDERING SPECIFICATIONS.

<sup>3</sup>FINISHES AVAILABLE ON SPECIAL ORDER.

\*\*\*FACTORY PAINTED COVER PLATES MUST NOT BE REPAINTED. NON-FACTORY APPLIED PAINT MAY ADVERSELY DELAY OR PREVENT SPRINKLER OPERATION IN THE EVENT OF A FIRE.

LH: LIGHT HAZARD

### cULus LISTING DESIGN - USE REQUIREMENTS FOR LIGHT HAZARDS ONLY

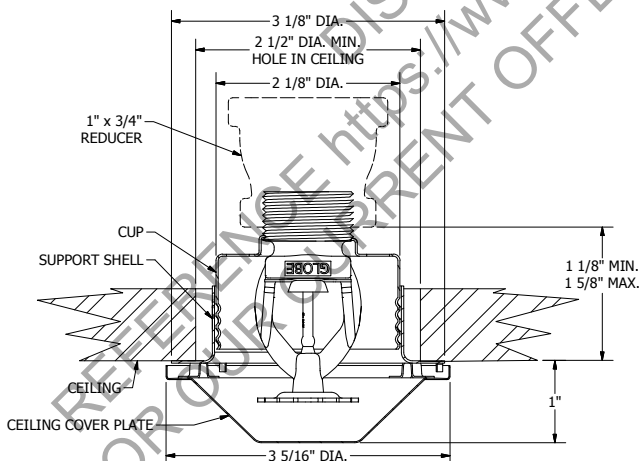
STYLE	SIN	SPRINKLER TEMPERATURES				MAX. AREA OF COVERAGE LENGTH x WIDTH Feet (Meters)	MIN. PRESSURE P.S.I. (bar)	MIN. FLOW G.P.M. (L/min)	MIN. DISTANCE BETWEEN SPRINKLERS Feet (Meters)
		135°F (57°C)	155°F (68°C)	175°F (79°C)	200°F (93°C)				
CONCEALED PENDENT	GL8104	X	X	X	X	16 (4.9) x 16 (4.9)	10.6 (0.73)	26 (98)	8 (2.4)
		X	---	---	---	18 (5.5) x 18 (5.5)	17.0 (1.17)	33 (125)	
		X	---	---	---	20 (6.1) x 20 (6.1)	25.0 (1.72)	40 (151)	

**NOTE:** METRIC CONVERSIONS ARE APPROXIMATE.

SPRINKLERS SHALL BE LIMITED AS PER THE REQUIREMENTS OF NFPA 13 AND ANY OTHER RELATED DOCUMENTS.

FOR COVERAGE AREA DIMENSIONS LESS THAN OR BETWEEN THOSE INDICATED, USE THE MINIMUM FLOW FOR THE NEXT HIGHEST COVERAGE AREA FOR WHICH DESIGN CRITERIA ARE STATED.

### CROSS SECTIONS



1/2" ADJUSTMENT DOMED PLATE  
CONCEALED PENDENT

3 5/16" DIA. DOMED COVER PLATE S/A PART NUMBERS		
FINISH	135°F (57°C)	155°F (68°C)
CHROME	326046	326051
WHITE	326048	326053

### ORDERING INFORMATION SPECIFY

- Quantity • SIN • Style
- Orifice • Thread Sizes • Temperature
- Finish desired
- Quantity - Concealed Wrenches - P/N 325401
- Quantity - Protective Caps - P/N 327119

### GLOBE® PRODUCT WARRANTY

Globe agrees to repair or replace any of its own manufactured products found to be defective in material or workmanship for a period of one year from date of shipment.

For specific details of our warranty please refer to Price List Terms and Conditions of Sale (Our Price List).

4077 AIRPARK DRIVE, STANDISH, MICHIGAN 48658

989-846-4583

1-800-248-0278

FAX 989-846-9231

www.globesprinkler.com

