



**STANDARD RESPONSE
EXTENDED COVERAGE
LIGHT HAZARD
AUTOMATIC SPRINKLERS
GL8159
PENDENT • RECESSED PENDENT**

DESCRIPTION AND OPERATION

The Globe GL8159 Extended Coverage Pendent Sprinkler for Light Hazard occupancies is a low profile yet durable design which utilizes a 5mm frangible glass ampule as the thermosensitive element. While the sprinkler provides an aesthetically pleasing appearance, it serves to protect various light hazard area coverages and should be installed in accordance with NFPA 13. This sprinkler series is available in various temperature ratings and finishes to meet many varying design requirements.

The heart of Globe's Series GL-SR sprinkler proven actuating assembly is a hermetically sealed frangible glass ampule that contains a precisely measured amount of fluid. When heat is absorbed, the liquid within the bulb expands increasing the internal pressure. At the prescribed temperature the internal pressure within the ampule exceeds the strength of the glass causing the glass to shatter. This results in water discharge which is distributed in an approved pattern.



**SERIES GL-SR/ECLH
EXTENDED COVERAGE
PENDENT**



**SERIES GL-SR/ECLH
EXTENDED COVERAGE
RECESSED PENDENT**

TECHNICAL DATA

- See reverse side for Approvals and Specifications.
- Temperature Ratings - 135°F (57°C), 155°F (68°C), 175°F (79°C), 200°F (93°C)
- Water Working Pressure Rating - 175 psi (12 Bars)
- Factory tested hydrostatically to 500 psi (34 Bars)
- Maximum low temperature glass bulb rating is -67°F (-55°C)
- Frame - bronze • Deflector - brass • Screw - brass
- Bulb seat - copper • Spring - nickel alloy • Seal - teflon
- Bulb - glass with glycerin solution, 5mm size
- Escutcheon Assembly - steel

• SPRINKLER TEMPERATURE RATING/CLASSIFICATION and COLOR CODING

CLASSIFICATION	AVAILABLE SPRINKLER TEMPERATURES		BULB COLOR	N.F.P.A. MAXIMUM CEILING TEMPERATURE	
ORDINARY	135°F/155°F	57°C/68°C	ORANGE/RED	100°F	38°C
INTERMEDIATE	175°F/200°F	79°C/93°C	YELLOW/GREEN	150°F	66°C

STANDARD RESPONSE EXTENDED COVERAGE LIGHT HAZARD AUTOMATIC SPRINKLERS GL8159 PENDENT • RECESSED PENDENT

SPECIFICATIONS AND APPROVALS

SIN	NOMINAL "K" FACTOR	THREAD SIZE	LENGTH	FINISHES	cULus
GL8159	8.0 (115 metric)	3/4"NPT (20mm)	3" (7.6cm)	Factory Bronze Chrome White Polyester ² Black Polyester ^{1,2}	✓

NOTE: METRIC CONVERSIONS ARE APPROXIMATE.

¹FINISHES AVAILABLE ON SPECIAL ORDER.

²AVAILABLE AS cULus LISTED AS CORROSION RESISTANT WHEN SPECIFIED ON ORDER.

cULus LISTING DESIGN - USE REQUIREMENTS FOR LIGHT HAZARDS ONLY

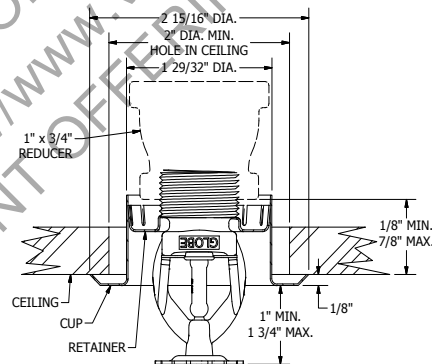
SIN	STYLE	TEMPERATURE				MAX. AREA OF COVERAGE LENGTH x WIDTH Feet (Meters)	MIN. PRESSURE P.S.I. (bars)	MIN. FLOW G.P.M. (L/min.)	MIN. DISTANCE BETWEEN SPRINKLERS Feet (Meters)
		135°F (57°C)	155°F (68°C)	175°F (79°C)	200°F (93°C)				
GL8159	PENDENT					16 (4.9) x 16 (4.9)	10.6 (0.73)	26 (98)	8 (2.4)
	RECESSED	X	X	X	X	18 (5.5) x 18 (5.5)	17.0 (1.17)	33 (125)	
	PENDENT					20 (6.1) x 20 (6.1)	25.0 (1.72)	40 (151)	

NOTE: METRIC CONVERSIONS ARE APPROXIMATE.

SPRINKLERS SHALL BE LIMITED AS PER THE REQUIREMENTS OF NFPA13 AND ANY OTHER RELATED DOCUMENTS.

FOR COVERAGE AREA DIMENSIONS LESS THAN OR BETWEEN THOSE INDICATED, USE THE MINIMUM FLOW FOR THE NEXT HIGHEST COVERAGE AREA FOR WHICH DESIGN CRITERIA ARE STATED.

CROSS SECTION



3/4" ADJUSTMENT RECESSED PENDENT

ORDERING INFORMATION

- SPECIFY**
- Quantity • SIN • Style • Orifice
 - Thread Size • Temperature • Finishes desired
 - Quantity - Wrenches - P/N 312366
 - Quantity - 3/4" Adjustable Recessed Escutcheons
 - Quantity - Recessed Wrenches - P/N 325401
 - Quantity - Protective Caps - P/N 327109-CAP
 - (Friction Fit Recessed)

GLOBE® PRODUCT WARRANTY

Globe agrees to repair or replace any of its own manufactured products found to be defective in material or workmanship for a period of one year from date of shipment.

For specific details of our warranty please refer to Price List Terms and Conditions of Sale (Our Price List).



JAN 2019

PRINTED U.S.A.

4077 AIRPARK DRIVE, STANDISH, MICHIGAN 48658
989-846-4583 FAX 989-846-9231
1-800-248-0278 www.globesprinkler.com

GFS-250 (Formerly A-76)