

Automatic Water Column Drain Kit for FireLock NXT™ Valves

SERIES 75D

IMPORTANT INFORMATION

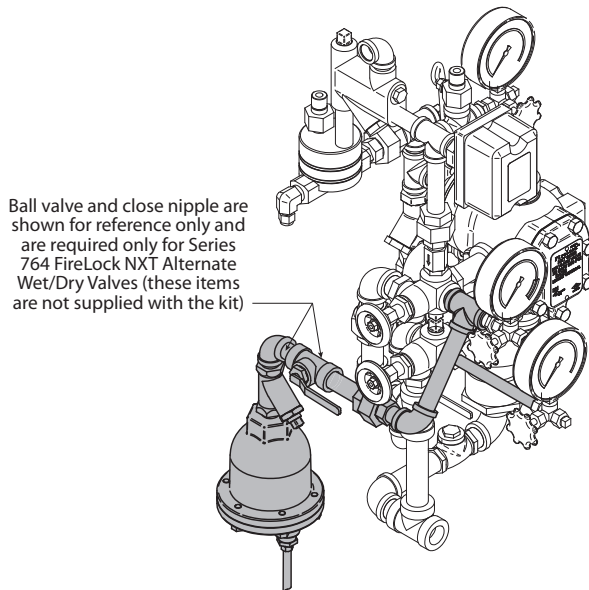
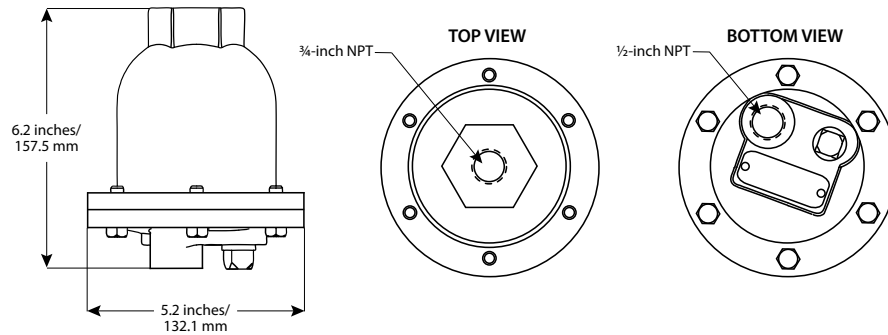
⚠ WARNING



- Read and understand all instructions before attempting to install, remove, adjust, or maintain any Victaulic piping products.
- Depressurize and drain the piping system before attempting to install, remove, adjust, or maintain any Victaulic piping products.
- Wear safety glasses, hardhat, and foot protection.
- Any activities that require taking the valve out of service may eliminate the fire protection provided.
- Before servicing or testing the system, notify the authority having jurisdiction.
- Consideration of a fire patrol should be given in the affected areas.

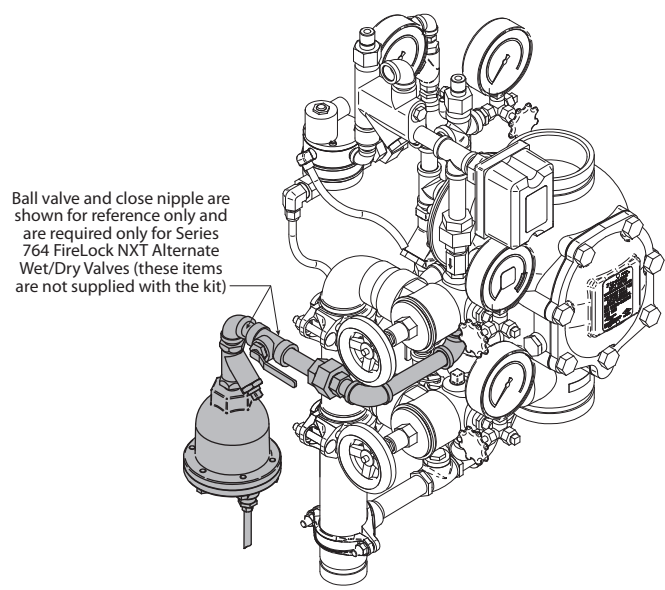
Failure to follow these instructions could result in serious personal injury and/or property damage.

The Series 75D Automatic Water Column Drain Kit for Series 768 FireLock NXT Dry Valves, Series 769 FireLock NXT Deluge and Preaction Valves, and Series 764 FireLock NXT Alternate Wet/Dry Valves minimizes residual water in the riser from collecting above the clapper, which is critical in adverse conditions such as colder temperatures. When the Series 75D is installed, residual water drains automatically without affecting system pressure. The Series 75D assembly extends approximately 5 ¼ inches/133 mm from the left-hand side of the valve. Adequate clearance must be available to accommodate this additional trim and to permit ease of installation.



Ball valve and close nipple are shown for reference only and are required only for Series 764 FireLock NXT Alternate Wet/Dry Valves (these items are not supplied with the kit)

SERIES 75D KIT FOR 1 ½ – 2-INCH/48.3 – 60.3-MM FIRELOCK NXT VALVES (SERIES 768 DRY TRIM SHOWN)



Ball valve and close nipple are shown for reference only and are required only for Series 764 FireLock NXT Alternate Wet/Dry Valves (these items are not supplied with the kit)

SERIES 75D KIT FOR 2 ½ – 8-INCH/73.0 – 219.1-MM FIRELOCK NXT VALVES (SERIES 769 PREACTION DOUBLE-INTERLOCKED, ELECTRIC/PNEUMATIC TRIM SHOWN)

Automatic Water Column Drain Kit for FireLock NXT™ Valves

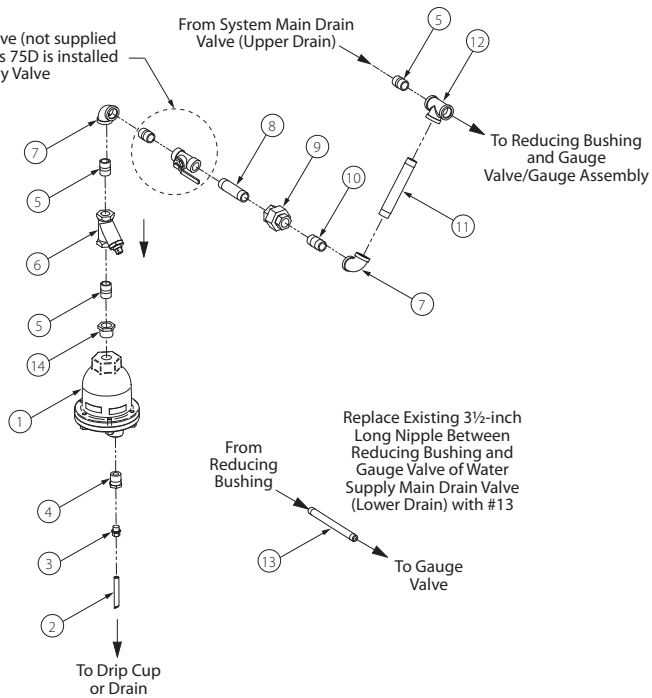
SERIES 75D

SERIES 75D TRIM ASSEMBLY DRAWING FOR 1½ – 2-INCH/48.3 – 60.3-MM FIRELOCK NXT VALVES

A close nipple (½-inch NPT x 1.13) and a ball valve (not supplied with kit) are required, as shown, when the Series 75D is installed on a Series 764 FireLock NXT™ Alternate Wet/Dry Valve

Bill of Materials

Item	Qty.	Description
1	1	Series 75D Automatic Water Column Drain
2	1	Clear Tubing
3	1	Compression Fitting
4	1	Reducing Bushing (½-inch NPT x ¼-inch NPT)
5	3	Close Nipple (½-inch NPT x 1.13)
6	1	Strainer (100 Mesh)
7	2	90° Female Elbow (½-inch NPT)
8	1	Nipple (½-inch NPT x 3.00)
9	1	Union (½-inch NPT)
10	2	Nipple (½-inch NPT x 1.50)
11	1	Nipple (½-inch NPT x 5.00)
12	1	Female Tee (½-inch NPT)
13	1	Nipple (¼-inch NPT x 6.00)
14	1	Reducing Bushing (¾-inch NPT x ½-inch NPT)



INSTALLING THE SERIES 75D TRIM ASSEMBLY FOR 1½ – 2-INCH/48.3 – 60.3-MM FIRELOCK NXT VALVES

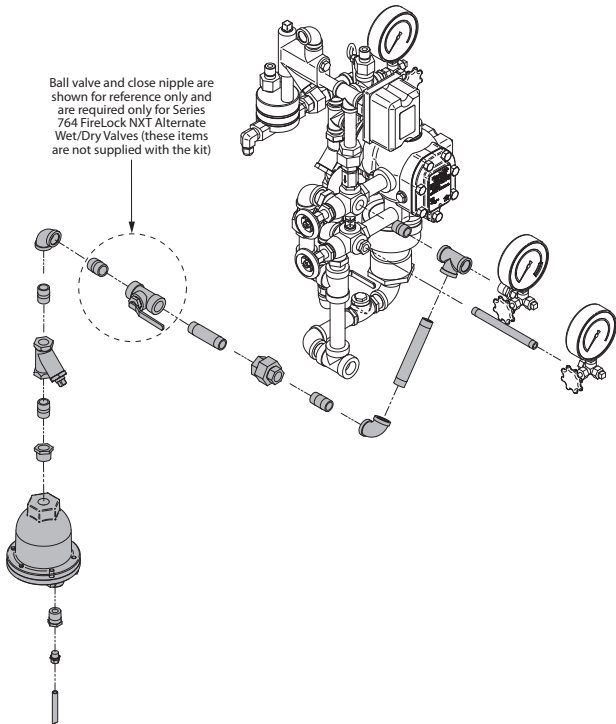
1. Notify the authority having jurisdiction, remote station alarm monitors, and those in the affected area that the system is being taken out of service.
2. Remove the valve from service. Depressurize and drain the system completely. There must be “zero” pressure on all gauges.

NOTE: Apply a small amount of pipe joint compound or pipe tape to the external threads of all threaded pipe connections. DO NOT get any tape, compound, or other foreign material into the fittings.

3. Remove the gauge valve/gauge assembly from the Water Supply Main Drain Valve (Lower Drain). Replace the existing 3½-inch/89-mm long nipple between the reducing bushing and gauge valve with the new 6-inch/152-mm long nipple (Item 13 supplied with the Series 75D kit).
4. Re-install the gauge valve/gauge assembly into the new nipple, as shown in the drawing to the left.
5. Remove the gauge valve/gauge assembly and reducing bushing from the System Main Drain Valve (Upper Drain).
6. Install the remaining components in the Series 75D kit, per the exploded view drawing above and to the left.

FOR SERIES 764 FIRELOCK NXT ALTERNATE WET/DRY VALVES ONLY: A close nipple (½-inch NPT x 1.13) and a ball valve (not supplied with kit) are required, as shown in the exploded view drawing above and to the left. This ball valve **MUST** be closed while the Series 764 FireLock NXT Alternate Wet/Dry Valve is in the “wet configuration” to prevent water from draining continuously from the system.

7. Re-install the gauge valve/gauge assembly and reducing bushing into the new female tee, as shown in the drawing to the left.
8. Place the system back into service by referring to the installation, maintenance, and testing manual provided with the valve.



SERIES 75D KIT FOR 1½ – 2-INCH/48.3 – 60.3-MM FIRELOCK NXT VALVES (SERIES 768 DRY TRIM SHOWN)

Automatic Water Column Drain Kit for FireLock NXT™ Valves

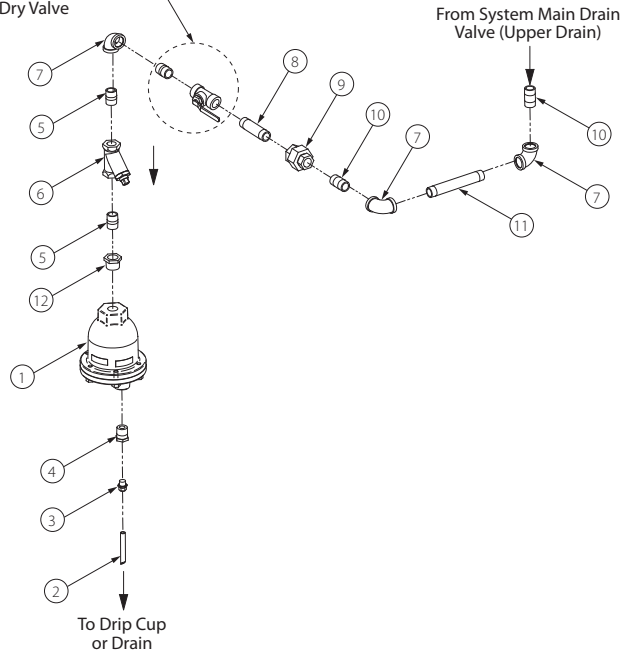
SERIES 75D

SERIES 75D TRIM ASSEMBLY DRAWING FOR 2½ – 8-INCH/73.0 – 219.1-MM FIRELOCK NXT VALVES

A close nipple (½-inch NPT x 1.13) and a ball valve (not supplied with kit) are required, as shown, when the Series 75D is installed on a Series 764 FireLock NXT™ Alternate Wet/Dry Valve

Bill of Materials

Item	Qty.	Description
1	1	Series 75D Automatic Water Column Drain
2	1	Clear Tubing
3	1	Compression Fitting
4	1	Reducing Bushing (½-inch NPT x ¼-inch NPT)
5	3	Close Nipple (½-inch NPT x 1.13)
6	1	Strainer (100 Mesh)
7	3	90° Female Elbow (½-inch NPT)
8	1	Nipple (½-inch NPT x 3.00)
9	1	Union (½-inch NPT)
10	2	Nipple (½-inch NPT x 1.50)
11	1	Nipple (½-inch NPT x 5.00)
12	1	Reducing Bushing (¾-inch NPT x ½-inch NPT)



INSTALLING THE SERIES 75D TRIM ASSEMBLY FOR 2½ – 8-INCH/73.0 – 219.1-MM FIRELOCK NXT VALVES

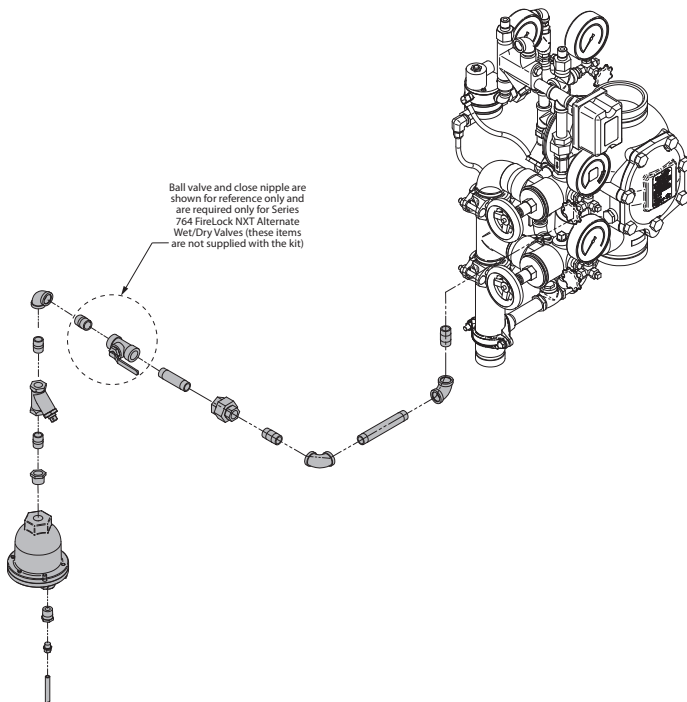
1. Notify the authority having jurisdiction, remote station alarm monitors, and those in the affected area that the system is being taken out of service.
2. Remove the valve from service. Depressurize and drain the system completely. There must be “zero” pressure on all gauges.
3. Remove the plug from the bottom of the System Main Drain Valve (Upper Drain).

NOTE: Apply a small amount of pipe joint compound or pipe tape to the external threads of all threaded pipe connections. DO NOT get any tape, compound, or other foreign material into the fittings.

4. Install the components in the Series 75D kit, per the exploded view drawing above and to the left.

FOR SERIES 764 FIRELOCK NXT ALTERNATE WET/DRY VALVES ONLY: A close nipple (½-inch NPT x 1.13) and a ball valve (not supplied with kit) are required, as shown in the exploded view drawing above and to the left. This ball valve **MUST** be closed while the Series 764 FireLock NXT Alternate Wet/Dry Valve is in the “wet configuration” to prevent water from draining continuously from the system.

5. Place the system back into service by referring to the installation, maintenance, and testing manual provided with the valve.



SERIES 75D KIT FOR 2½ – 8-INCH/73.0 – 219.1-MM FIRELOCK NXT VALVES (SERIES 769 PREACTION DOUBLE-INTERLOCKED, ELECTRIC/PNEUMATIC TRIM SHOWN)

Automatic Water Column Drain Kit for FireLock NXT™ Valves

SERIES 75D

For complete contact information, visit www.victaulic.com

I-75D.NXT 5338 REV B UPDATED 02/2011 ZNXT75D003

VICTAULIC IS A REGISTERED TRADEMARK OF VICTAULIC COMPANY. © 2011 VICTAULIC COMPANY. ALL RIGHTS RESERVED. PRINTED IN THE USA.

I-75D.NXT

