

Series 75D Water Column Device Kit For Series 756 FireLock™ Dry Valves and Series 758 FireLock Actuated System Check Valves

! WARNING

- Read and understand all instructions before attempting to install any Victaulic piping products.
- Depressurize and drain piping systems before attempting to install, remove, or adjust any Victaulic piping products.
- Wear hardhat, safety glasses, and foot protection.

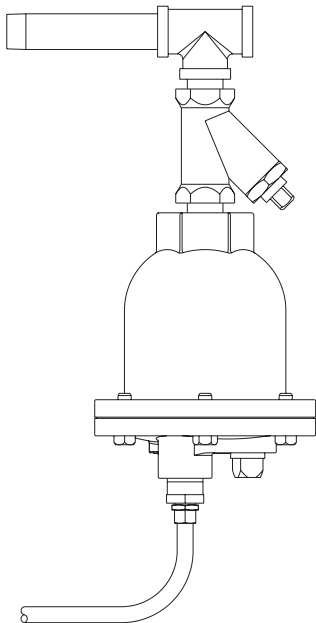
Failure to follow these instructions could result in serious personal injury, property damage, and/or product damage.

! WARNING

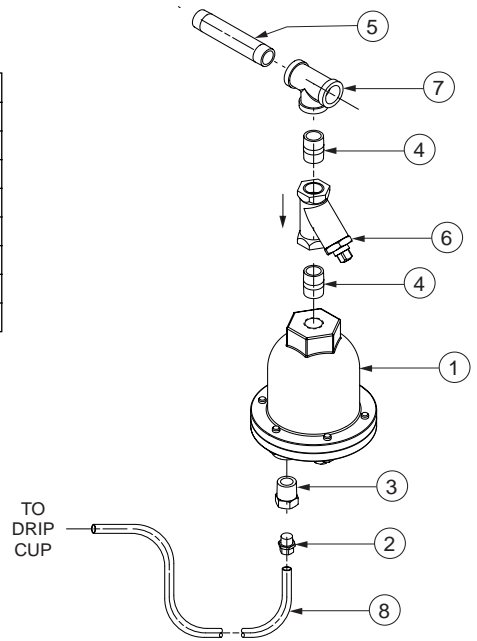
- Any activities that require taking the valve out of service may eliminate the fire protection provided.
- Before removing the valve from service, notify the authority having jurisdiction.
- Consideration of a fire patrol should be given in the affected areas.

Failure to follow these instructions could result in serious personal injury and/or product damage.

ASSEMBLY DRAWINGS



Item	Qty.	Description
1	1	Water Drain Valve
2	1	Hose Adapter
3	1	Reducing Bushing
4	2	Nipple (1/2" X 1 1/8")
5	1	Nipple (1/2" X 4")
6	1	Strainer (100 Mesh)
7	1	Tee
8	1	Tubing



VICTAULIC® IS AN ISO 9001 CERTIFIED COMPANY

Victaulic Company of America Phone: 1-800-PICK-VIC (1-800-742-5842) Fax: 610-250-8817 e-mail: pickvic@victaulic.com	Victaulic Company of Canada Phone: 416-675-5575 Fax: 416-675-5565 e-mail: viccanada@victaulic.com	Victaulic Europe Phone: 32-9-381-1500 Fax: 32-9-380-4438 e-mail: viceuro@victaulic.be	Victaulic America Latina Phone: 610-559-3300 Fax: 610-559-3608 e-mail: vical@victaulic.com	Victaulic Asia Pacific Phone: 65-235-3035 Fax: 65-235-0535 e-mail: vicap@victaulic.com
---	---	---	--	--

INSTALLATION

1. Notify the authority having jurisdiction, remote station alarm monitors, and those in the affected area that the system is being taken out of service.



2. Remove the valve from service. Make sure there is "zero" pressure on all gauges.



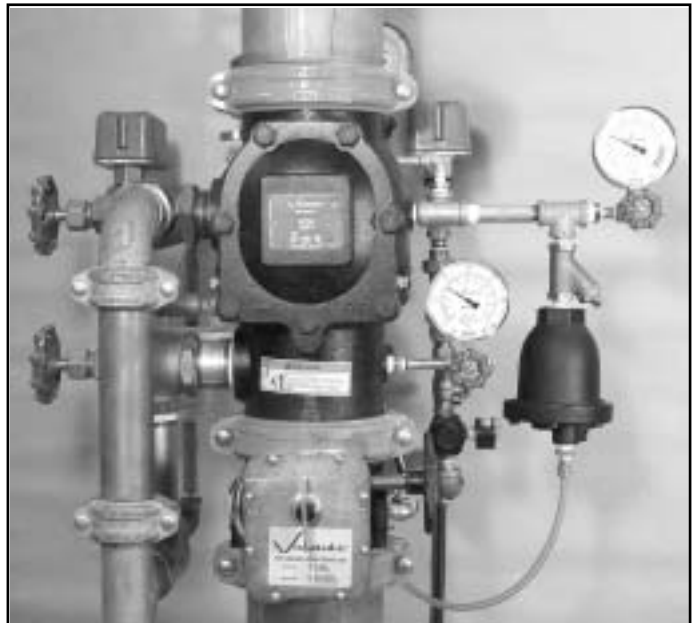
3. Remove the reducing bushing/nipple/gauge valve assembly from the tee on the system side of the dry or actuated check valve.



4. Install the Series 75D Water Column Kit into the tee where the gauge valve assembly was removed in step 3.



5. Install the reducing bushing/nipple/gauge valve assembly into the tee coming from the Series 75D Water Column Kit.



6. Insert the tubing from the Series 75D Water Column Kit into the drip cup, located at the back of the valve.

7. Place the system back in service by following the instructions in the valve's installation, maintenance, and testing manual.