



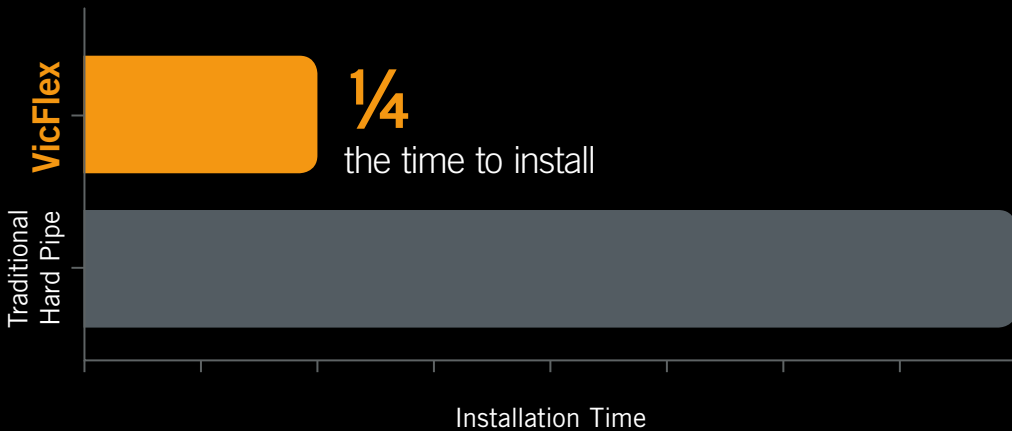
SPRINKLER FITTING SYSTEMS

STYLE AB6 BRACKETS FOR COLD STORAGE APPLICATIONS

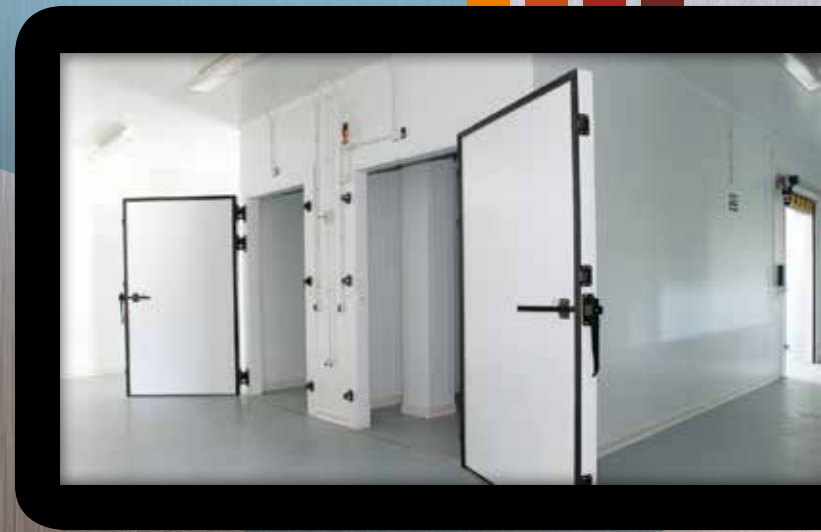


What if you could reduce hands-on installation time by as much as 75%?

The **NEW VicFlex V36 Dry Sprinkler with Integral Style AB6 Assembly** eliminates the need to measure and cut hard pipe, as well as wait for foam seals to dry, simplifying installation.



- PRE-ASSEMBLED SYSTEMS
- SPECIALTY APPLICATIONS
- HARD-LID CEILINGS
- SUSPENDED CEILINGS



confidence  
speed  
performance

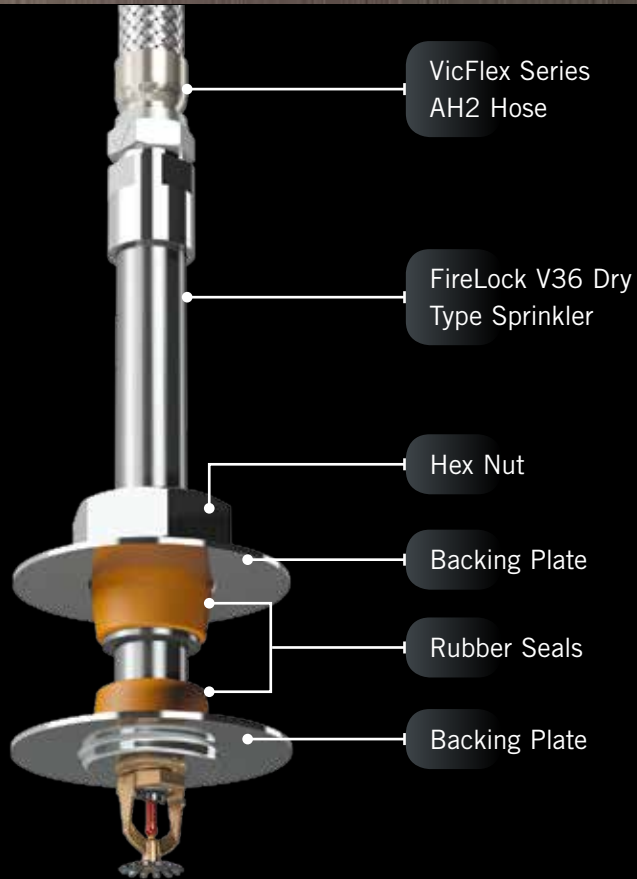
› Fast, easy installation — up to 4x faster than rigid pipe





SPRINKLER FITTING SYSTEMS

Visit [www.victaulic.com/vicflex](http://www.victaulic.com/vicflex) to learn more about the VicFlex system or to request a demo.



**NEW VicFlex V36 Dry Sprinkler with Integral Style AB6 Assembly**

### Simplify installation—eliminate hard pipe...



Drill and deburr hole in freezer bracket



Install V36 Dry Sprinkler with Style AB6 Assembly up through the freezer wall



Slide rubber seal, backing plate, lock washer, and hex nut down V36 Sprinkler



Tighten hex nut by hand and 3/4 turn of a wrench



Secure VicFlex AH2 Hose to V36 Dry Sprinkler

\* Does not imply complete installation instructions — consult the appropriate Victaulic installation and maintenance documentation.



PB-AB6 7271 REV A 11/2014  
VICTAULIC AND FIRELOCK ARE REGISTERED TRADEMARKS OF VICTAULIC COMPANY.  
VICFLEX IS A TRADEMARK OF VICTAULIC COMPANY. © 2014 VICTAULIC COMPANY. ALL RIGHTS RESERVED.

