

## VAPS224 Adjustable Pipe Stand

---



---

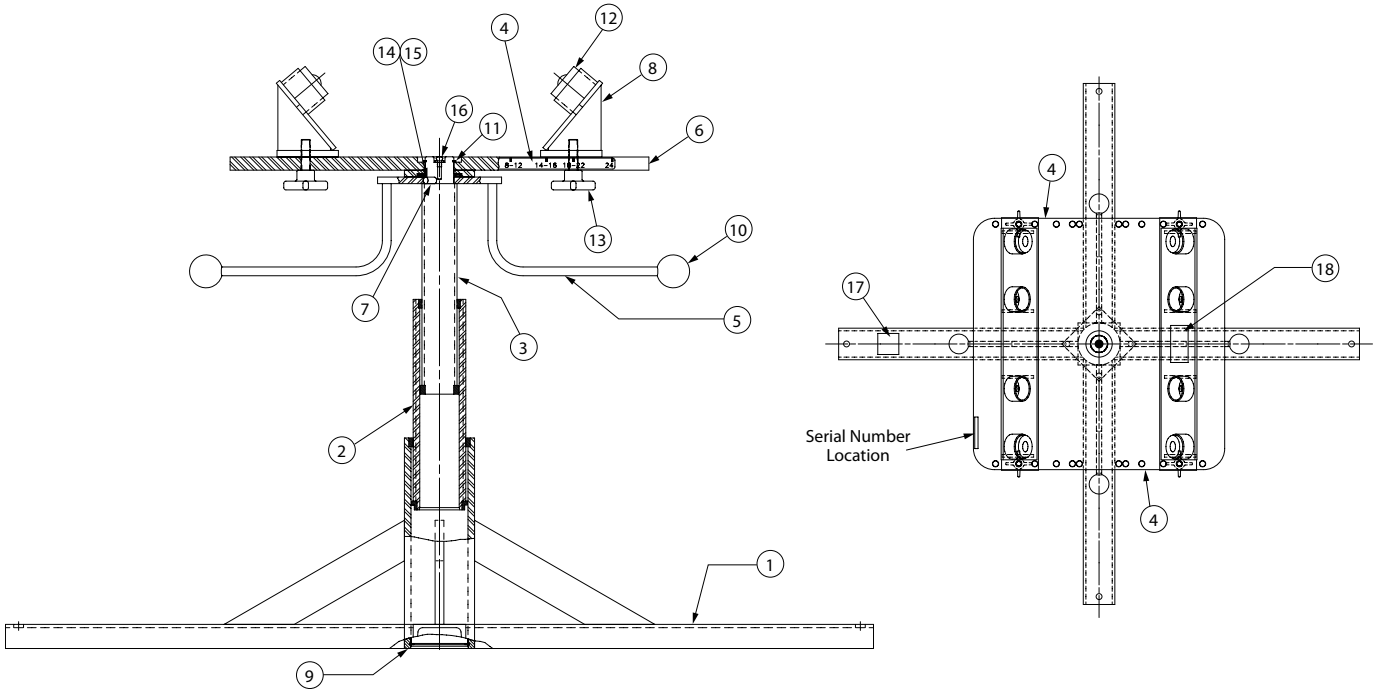
### PARTS ORDERING INFORMATION

When ordering parts, the following information is necessary for Victaulic to process the order promptly:

1. Tool Model Number – VAPS224
2. Tool Serial Number – The serial number can be found on the table of the pipe stand.
3. Quantity, Item Number, Part Number, Description
4. Where to send the part(s) – Company Name and Address
5. To whose attention to send the part(s)
6. Purchase Order Number

Parts may be ordered from your nearest Victaulic Sales Office.

# VAPS224 Adjustable Pipe Stand



Item#	Part #	Qty.	Description
1	R-001-224-PNT	1	Base
2	R-002-224-PLT	1	Intermediate Column
3	R-003-224-PLT	1	Upper Column
4	R-004-224-LAB	2	Size Adjustment Label
5	R-005-224-PLT	1	Handle (Vertical Adjustment)
6	R-101-224-PNT	1	Top Plate
7	N-P01-006-012	1	Roll Pin, 3/8 x 3/4" Long
8	R-008-224-PNT	2	Ball Transfer Support
9	N-T53-000-325	1	Retaining Ring
10	N-M04-000-010	4	Ball Handle
11	N-T03-000-011	1	Retaining Ring
12	N-M28-000-002	4	Ball Transfer
13	N-M04-000-011	4	Hand Knob Assembly
14	N-B03-175-001	1	Thrust Bearing
15	N-B05-175-002	2	Thrust Washer
16	N-M01-000-007	1	Grease Fitting, Straight
17	R-069-272-LAB	1	Name Plate
18	R-031-272-LAB	1	Warning Label



For complete contact information, visit [www.victaulic.com](http://www.victaulic.com)

RP-VAPS224 4313 REV B UPDATED 09/2008 RPL0224000

VICTAULIC IS A REGISTERED TRADEMARK OF VICTAULIC COMPANY. © 2008 VICTAULIC COMPANY. ALL RIGHTS RESERVED. PRINTED IN THE USA.

RP-VAPS224

