

---

## VE206 Portable Pipe/Tubing Roll Grooving Tool

---



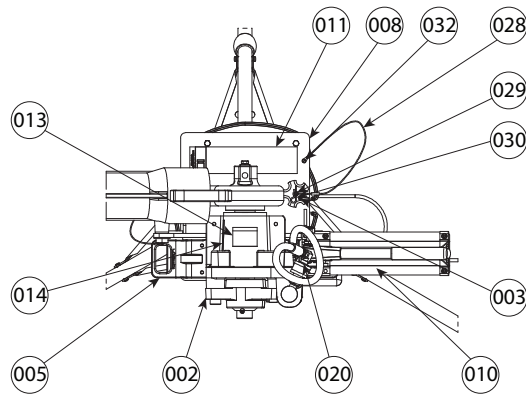
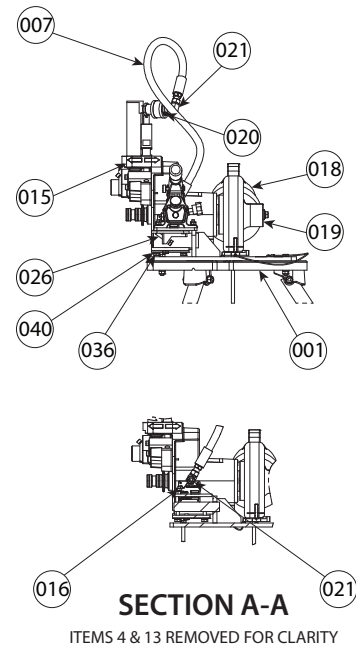
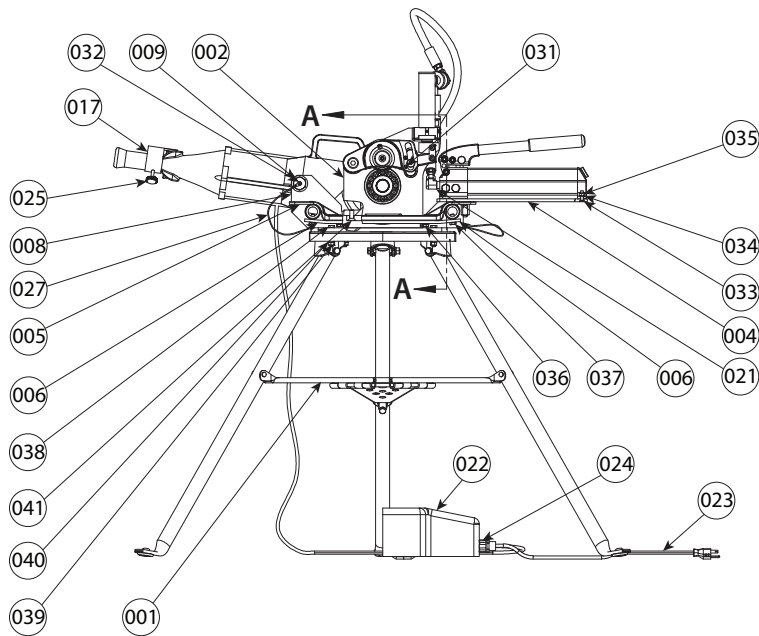
---

### PARTS ORDERING INFORMATION

When ordering parts, the following information is necessary for Victaulic to process the order promptly:

1. Tool model number – VE206
2. Tool serial number – The serial number can be found on the side of the tool.
3. Item number, part number, description, and quantity required
4. Where to send the part(s) – Company name and address
5. To whose attention to send the part(s)
6. Purchase order number

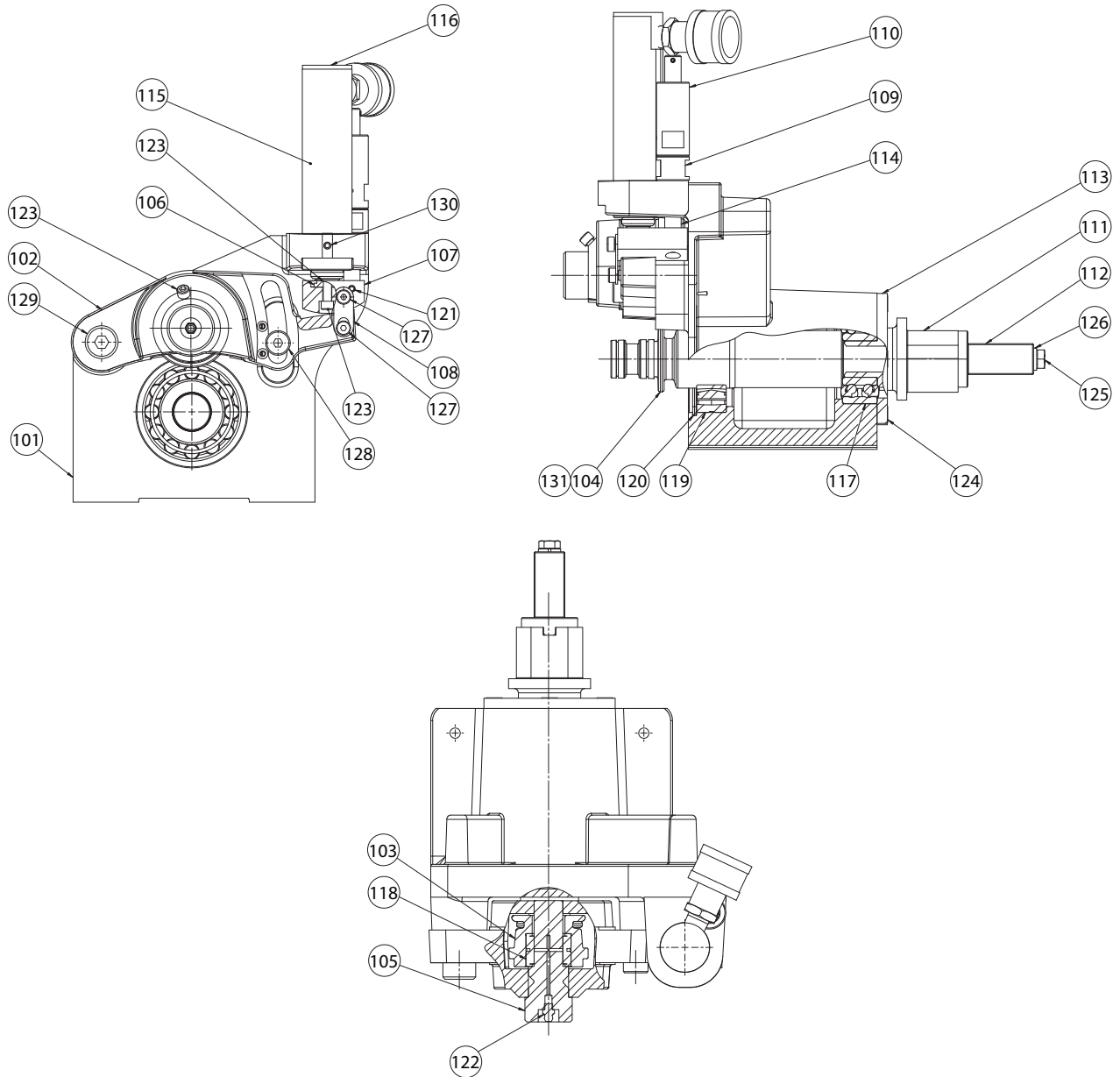
Parts may be ordered from the nearest Victaulic Sales Office.



Item#	Part #	Qty.	Description
001	N-000-752-300	1	Stand
002	R-001-206-ASY	1	Head Assembly, Ridgid® 700 Power Drive
003	R-008-106-PLT	1	Groove Depth Gauge, 1¼ - 6" Sch.40 Steel
004	R-014-206-PNT	1	Hand Pump Bracket
005	R-015-206-MCH	1	Torque Arm
006	R-016-206-PNT	1	Torque Arm Support
007	R-017-206-ASY	1	Hose Assembly
008	R-018-206-PLT	1	Base Plate
009	R-019-206-PLT	1	Mounting Screw
010	R-020-206-ASY	1	Hand Pump Subassembly
011	R-009-424-LBL	1	"C" Diameter Reference Label
013	R-028-226-LBL	1	Instruction Warning Label
014	R-031-272-LAB	1	Instruction Warning Label
015	R-034-272-LAB	1	Depth Stop Adjustment Label
016	R-069-272-LAB	1	Name Plate
017	R-701-226-PLT	1	Trigger Clamp
018	N-M50-000-002	1	Power Drive, Ridgid® 700
019	N-M09-774-014	1	Square Drive, 1 <sup>5</sup> / <sub>16</sub> "
020	N-H02-006-013	1	Hose Coupling, Quick Disconnect
021	N-H12-006-012	2	Elbow, 90°
022	N-E03-000-002	1	Safety Foot Switch

Item#	Part #	Qty.	Description
023	N-E00-700-000	1	Extension Cord, 25-foot Length
024	N-E00-700-001	1	Liquid-Tight Cord Connector
025	N-S32-040-100	2	Thumb Screw
026	N-S01-050-108	1	Cap Screw, 5/16 - 18 x 1½"
027	N-M36-400-001	1	Lanyard
028	N-M36-400-002	1	Lanyard
029	N-P07-050-200	1	Clevis Pin
030	N-P80-003-104	1	Hairpin
031	N-S03-008-004	2	Hex Socket Head Cap Screw, #8 - 32 x ¾"
032	N-S07-008-007	3	Slotted Round-Head Machine Screw, #8 - 32 x 3/8"
033	N-S12-040-100	4	Countersunk Head Cap Screw, ¼ - 20 x 1"
034	N-W03-040-000	4	Helical Spring-Lock Washer, ¼"
035	N-N01-040-000	4	Hex Nut, ¼ - 20
036	N-S81-050-010	4	Hex Cap Screw, 5/16 - 18 x 7/8"
037	N-S01-050-012	2	Hex Cap Screw, 5/16 - 18 x ¾"
038	N-S01-050-112	4	Hex Cap Screw, 5/16 - 18 x 1¾"
039	N-N01-050-000	4	Hex Nut, 5/16 - 18
040	N-W03-050-000	8	Helical Spring-Lock Washer, 5/16"
041	N-S04-050-100	4	Hex Socket Countersunk Head Cap Screw, 3/8 - 18 x 1"

\* Ridgid is a registered trademark of the Ridgid Tool Company



Item#	Part #	Qty.	Description
101	R-002-206-MCH	1	Tool Head
102	R-002-106-MCH	1	Arm
103	R-912-106-U06	1	Upper Roll, 1¼ - 6"
104	R-912-106-L03	1	Lower Roll Shaft
105	R-005-106-PLT	1	Upper Shaft
106	R-003-206-PLT	1	Ram Shaft Coupler
107	R-004-206-PLT	1	Ram Shaft Pivot Block
108	R-005-206-PLT	1	Link
109	R-007-206-PLT	1	Travel Stop
110	R-008-206-PLT	1	Travel Stop Adjuster
111	R-009-206-PLT	1	Drive Bushing
112	R-010-206-PLT	1	Drive Key
113	R-013-206-PLT	1	Bearing Retainer
114	R-025-206-ASY	1	Stud Subassembly
115	R-407-657-LBL	1	Identification Label
116	N-H01-206-000	1	Hydraulic Cylinder

Item#	Part #	Qty.	Description
117	N-B01-120-001	1	Ball Bearing
118	N-B02-087-001	1	Needle Roller Bearing
119	N-B02-011-109	1	Spherical Bearing
120	N-T03-000-029	1	Internal Retaining Ring
121	N-S12-040-008	1	Hex Socket Set Screw, ¼ - 20 x ½"
122	N-M01-000-012	1	Straight Grease Fitting
123	N-S01-040-012	2	Hex Socket Head Cap Screw, ¼ - 20 x ¾"
124	N-S12-040-100	4	Hex Socket Countersunk Head Cap Screw, ¼ - 20 x 1"
125	N-S01-060-378	1	Hex Cap Screw, ⅜ - 16 x 3½"
126	N-W03-060-000	1	Helical Spring-Lock Washer, ⅜"
127	N-S05-050-004	2	Hex Socket Head Shoulder Screw, ⅝ <sub>16</sub> x ¼"
128	N-S05-080-108	1	Hex Socket Head Shoulder Screw, ½ x 1½"
129	N-S05-012-108	1	Hex Socket Head Shoulder Screw, ¾ x 1½"
130	N-S14-040-006	1	Cup Point Hex Socket Set Screw, ¼ - 28 x ⅜"
131	R-904-106-L06	1	Lower Roll Shaft, 4 - 6" (Not Shown)

---

## VE206 Portable Pipe/Tubing Roll Grooving Tool

---

---

For complete contact information, visit [victaulic.com](http://victaulic.com)

RP-VE206 8138 REV A UPDATED 05/2014 RPL0206000

VICTAULIC IS A REGISTERED TRADEMARK OF VICTAULIC COMPANY. © 2014 VICTAULIC COMPANY. ALL RIGHTS RESERVED.

