

VG412 Pipe Cut Grooving Tool



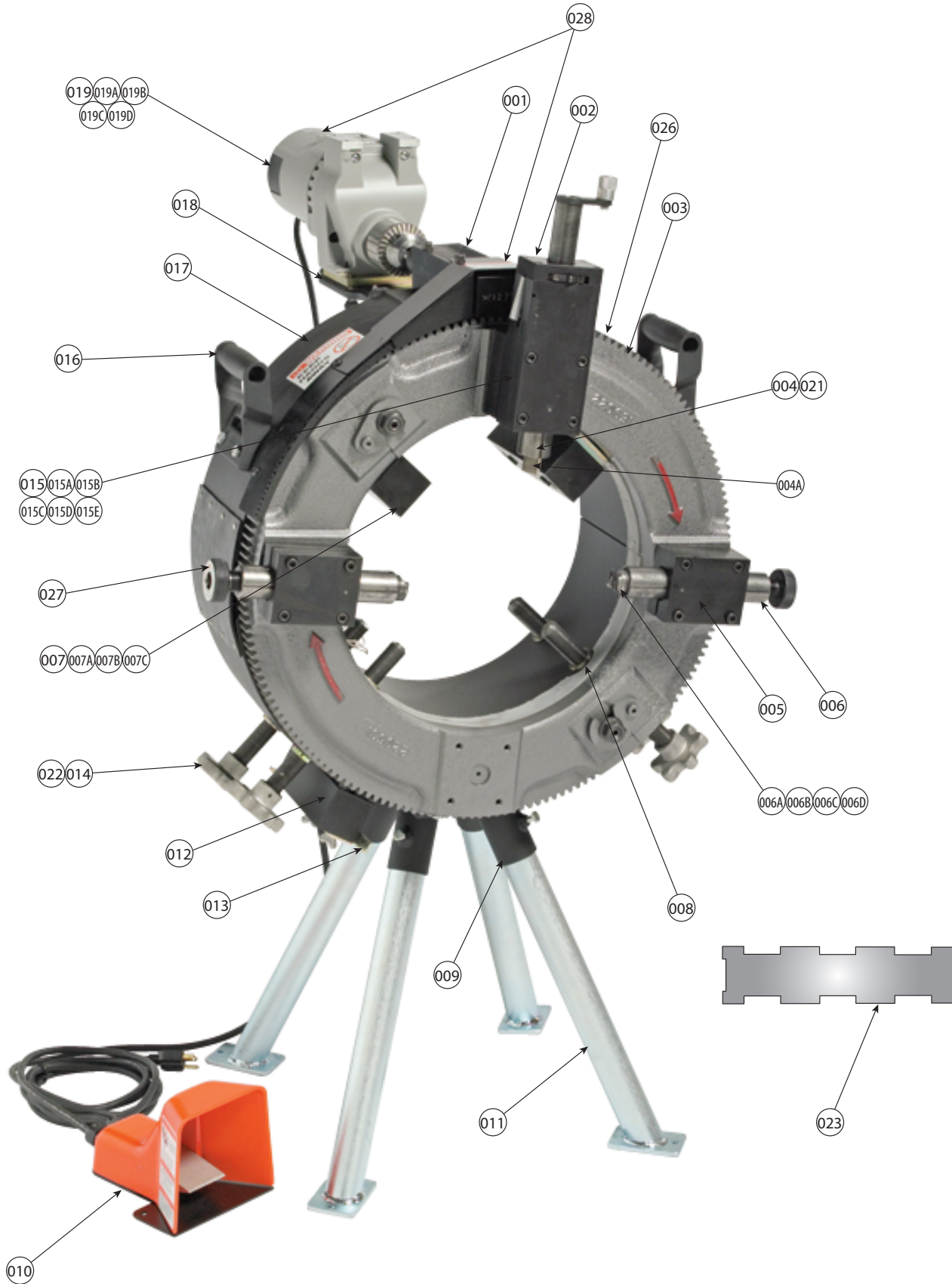
PARTS ORDERING INFORMATION

When ordering parts, the following information is necessary for Victaulic to process the order promptly:

1. Tool Model Number – VG412
2. Serial Number
3. Quantity, Item Number, Part Number, Description
4. Where to send the part(s) – Company Name and Address
5. To whose attention to send the part(s)
6. Purchase Order Number

Parts may be ordered from your nearest Victaulic Sales Office.

VG412 Pipe Cut Grooving Tool



VG412 Pipe Cut Grooving Tool

COMPONENTS SPECIFIC FOR CUT GROOVING STEEL PIPE



VG412 Pipe Cut Grooving Tool

BILL OF MATERIALS

Item#	Part #	Qty.	Description
001	N-220-412-621	1	Pinion Block Assembly
002	N-221-412-260	1	Cut-Off Block Assembly
003	N-220-412-515	1	Gear Plate Assembly
004	N-220-412-736	1	Cut-Off Blade Holder
004A	N-275-412-055	1	Cut-Off Blade
005	N-220-412-653	2	Grooving Blade Block
006	N-220-412-656	2	Grooving Blade Assembly
006A	N-220-412-568	1	4-6 CI Angle Blade
006B	N-220-412-680	1	4-6 CI Straight Blade
006C	N-220-412-569	1	8-12 CI Angle Blade
006D	N-220-412-679	1	8-12 CI Straight Blade
007	N-700-412-537	2	4 CI Riser Block
007A	N-220-412-693	2	6 CI Riser Block
007B	N-220-412-689	2	8 CI Riser Block
007C	N-220-412-685	2	10 CI Riser Block
008	N-T56-000-001	4	Retaining Ring
009	N-220-412-856	1	Base
010	N-E03-000-002	1	Foot Switch
011	N-220-412-727	4	Leg
012	N-700-412-305	1	Actuator Body
013	N-223-412-096	1	Actuator Bar
014	N-220-412-613	4	Clamp Screw Assembly
015	N-220-412-667	1	Spacer Block, 4-6 CIF
015A	N-220-412-668	1	Spacer Block, 8 CIF
015B	N-220-412-669	1	Spacer Block, 10-12 CIF
015C	N-220-412-672	1	Spacer Block, 4-6 CIR
015D	N-220-412-673	1	Spacer Block, 8 CIR
015E	N-220-412-674	1	Spacer Block, 10-12 CIR
016	N-220-412-713	2	Carry Handle
017	N-220-412-868	1	Motor Plate
018	N-220-412-101	1	Frame Assembly
019	N-E01-000-011	1	Motor, 120 Volt
019A	N-E90-000-012	2	Motor Brush
019B	N-E90-000-111	1	Chuck Key
019C	N-M14-000-023	1	Socket Adapter
019D	N-M14-000-022	1	Socket

Item#	Part #	Qty.	Description
020#	N-003-412-034	1	Steel Conversion Kit (Includes 020A through 020Q)
020A#	N-220-412-809	1	Steel Cut-Off Blade, 1 of 2
020B#	N-220-412-808	1	Steel Cut-Off Blade, 2 of 2
020C#	N-220-412-678	1	Stl. Grv. Blade 4-6, Straight
020D#	N-220-412-571	1	Stl. Grv. Blade 4-6, Angle
020E#	N-220-412-677	1	Stl. Grv. Blade 8, Straight
020F#	N-220-412-572	1	Stl. Grv. Blade 8, Angle
020G#	N-220-412-676	1	Stl. Grv. Blade 10-12, Straight
020H#	N-220-412-570	1	Stl. Grv. Blade, 10-12, Angle
020J#	N-220-412-756	2	Riser Blocks, 4 STL
020K#	N-220-412-695	2	Riser Blocks, 6 STL
020L#	N-220-412-691	2	Riser Blocks, 8 STL
020M#	N-220-412-687	2	Riser Blocks, 10 STL
020N#	N-220-412-684	2	Riser Plates, 12 STL
020P#	N-220-412-664	1	Spacer Block, 4-6 STL
020Q#	N-220-412-665	1	Spacer Block, 8 STL
020R#	N-220-412-666	1	Spacer Block, 10-12 STL
021*	N-220-412-766	1	Extended Blade Holder
022*	N-220-412-754	4	Clamp Screw Extension
023	N-220-412-699	1	Depth Gauge
024*	N-006-412-521	1	Metal Tool Box
025*	N-220-412-289	1	Shipping Crate
026	R-002-412-0VG	1	"C" Diameter Reference Label
027	R-003-412-0VG	1	Caution Label
028	R-031-272-LAB	2	Warning Label
029*	R-006-412-MCH	2	6" S/808 Spacer Block
030*	R-008-412-MCH	2	8" S/808 Spacer Block
031#	N-B01-062-002	8	Bearings

‡ Components specific for cut grooving steel pipe (refer to page 3)

* Not Shown

Not Shown. Located behind Item 003, Gear Plate Assembly.

For complete contact information, visit www.victaulic.com

RP-VG412 6461 REV C UPDATED 10/2013 RPL00VG412

VICTAULIC IS A REGISTERED TRADEMARK OF VICTAULIC COMPANY. © 2013 VICTAULIC COMPANY. ALL RIGHTS RESERVED.

RP-VG412

