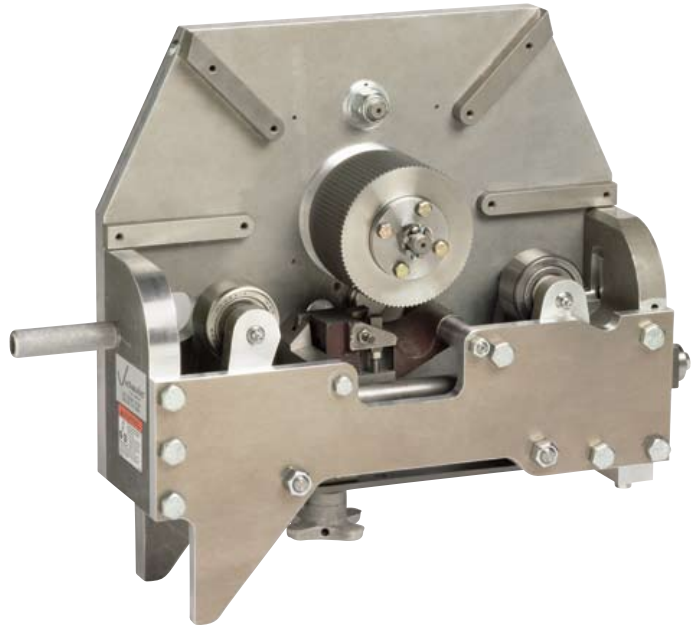


VG824 Cut-Grooving Tool



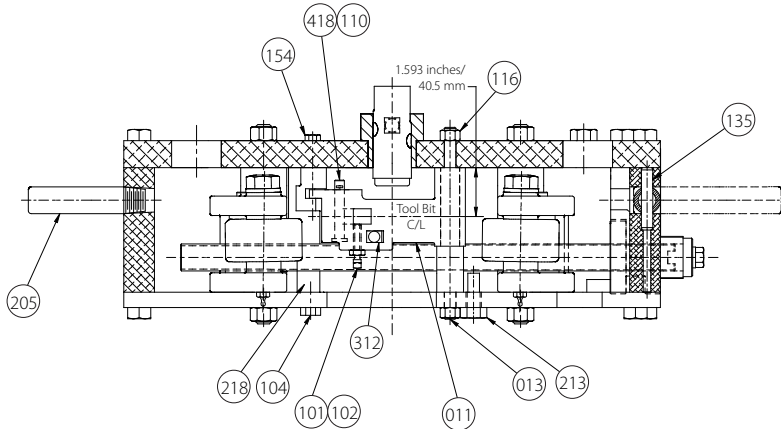
PARTS ORDERING INFORMATION

When ordering parts, the following information is necessary for Victaulic to process the order promptly:

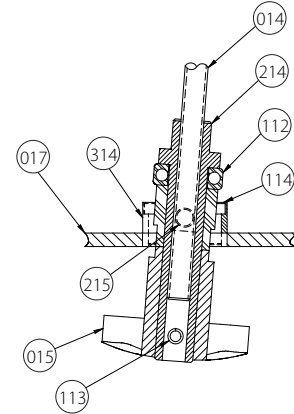
1. Tool Model Number – VG824
2. Tool Serial Number – The Serial Number can be found on the side of the tool.
3. Quantity, Item Number, Part Number, Description
4. Where to send the part(s) – Company Name and Address
5. To whose attention to send the part(s)
6. Purchase Order Number

Parts may be ordered from your nearest Victaulic Sales Office.

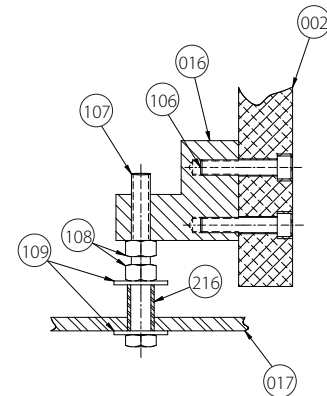
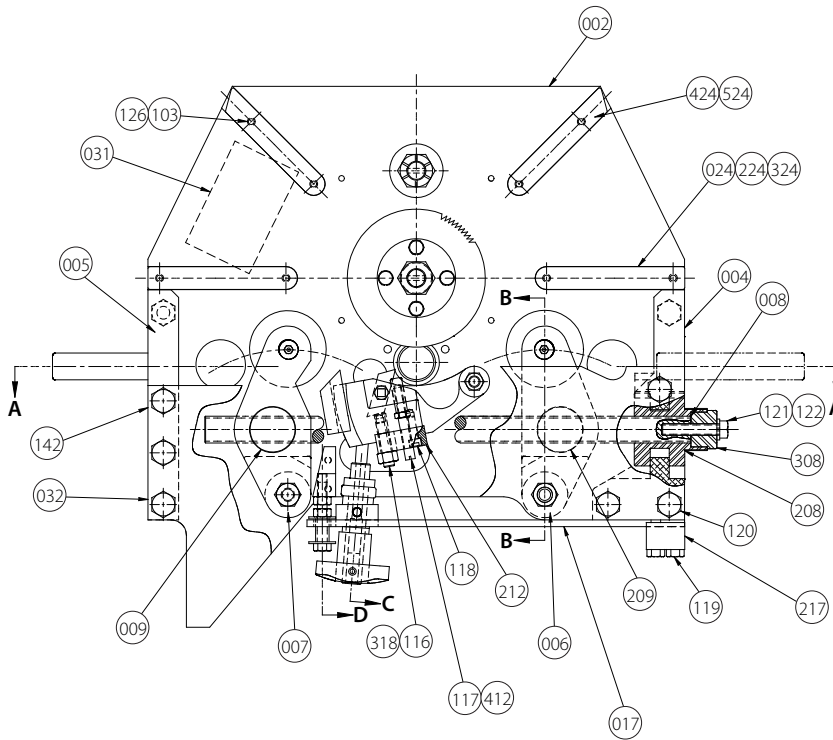
VG824 Cut-Grooving Tool



SECTION A-A



SECTION C-C

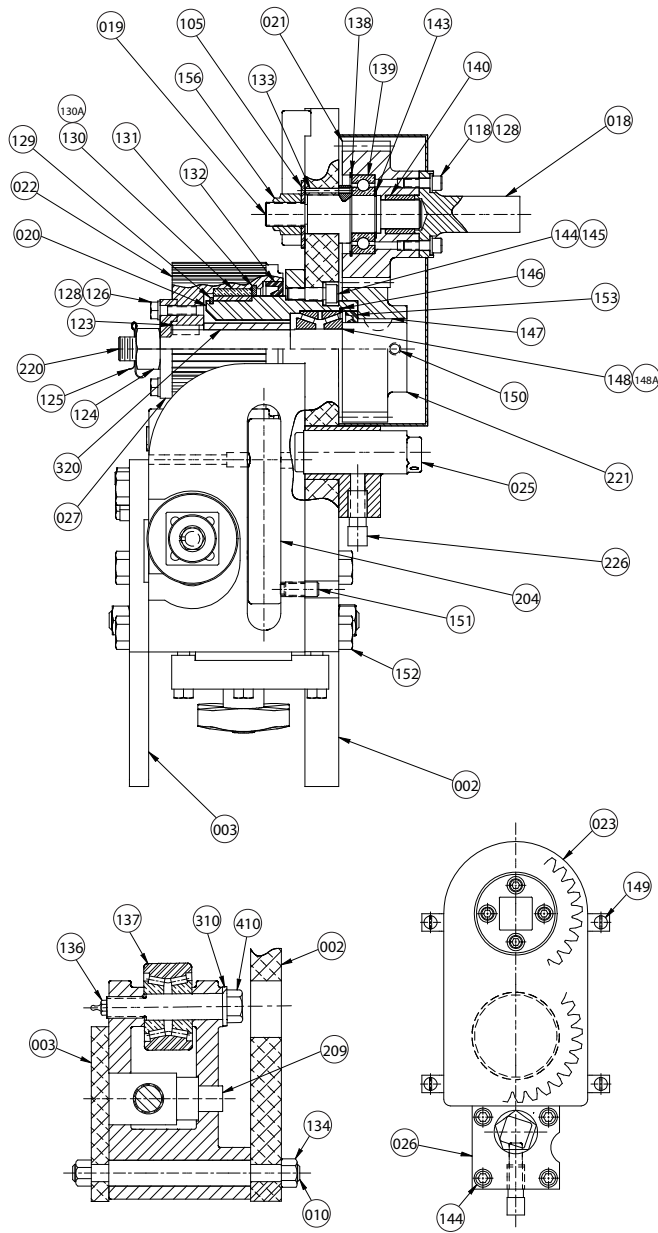


SECTION D-D

Item#	Part #	Qty.	Description
002	R-002-824-AVG	1	Main Plate
003	R-003-824-AVG	1	Front Plate
004	R-004-824-AVG	1	Right Side Support
005	R-005-824-AVG	1	Left Side Support
006	R-006-824-AVG	1	R.H. Support Roll Swivel Arm
007	R-007-824-AVG	1	L.H. Support Roll Swivel Arm
008	R-008-824-AVG	1	Feed Screw
009	R-009-824-AVG	1	Left Barrel Nut
010	R-010-824-AVG	2	Swivel Arm Pivot Stud
011	R-011-824-AVG	1	Knife Support Bar
013	R-013-824-AVG	1	Knife Support Bar Pivot Stud
014	R-014-824-AVG	1	Knife Bar Push Rod
015	R-015-824-AVG	1	Hand Knob
016	R-016-824-AVG	1	Stop Screw Block (Bar Spring)
017	R-017-824-AVG	1	Knife Support Bar Spring

Item#	Part #	Qty.	Description
018	R-018-824-AVG	1	Drive Stud
019	R-019-824-AVG	1	Reversing Gear Shaft
020	R-020-824-AVG	1	Drive Roll Support
021	R-021-824-AVG	1	Reversing Gear
022	R-200-824-AVG	1	Drive Roll
023	R-023-824-AVG	1	Guard
024	R-024-824-AVG	1	Pipe Stop (14 - 24 STD, 10 - 12 C.I.)
025	R-025-824-AVG	1	Center Pipe Stop
026	R-026-824-AVG	1	Pipe Stop Guide
027	R-027-824-AVG	1	Drive Roll Cap
031	R-031-272-LAB	1	Instruction Warning Label
032	R-LAB-000-001	1	Information Label
101	N-N03-040-000	1	¼ - 20 UNC Hex Jam Nut, Pltd.
102	N-S89-040-104	1	¼ - 20 UNC x 1¼" Long Square Head Set Screw
103	N-W01-040-000	8	¼" Standard Flat Washer, Pltd.

VG824 Cut-Grooving Tool



SECTION B-B

Item#	Part #	Qty.	Description
104	N-S01-060-100	1	3/8 - 16 UNC x 1" Lg. Hex Hd. Cap Screw, Pltd.
105	N-W01-100-000	1	3/8" Flat Washer, Pltd.
106	N-S03-040-104	2	1/4 - 20 UNC x 1 1/4" Lg. Socket Cap Screw, Blk. Ox.
107	N-S01-050-204	1	5/16 - 18 UNC x 2 1/4" Hex Cap Screw, Pltd.
108	N-N01-050-000	2	3/16 - 18 UNC Standard Hex Nut, Pltd.
109	N-W06-050-000	2	3/16" SAE Plain Washer, Pltd.
110	N-P80-000-008	1	5/4" Dia. x 1/2" Lg. Cotter Pin
112	N-B03-062-001	1	Push Rod Thrust Bearing
113	N-P01-004-102	1	1/4" Dia. x 1 1/8" Lg. Roll Pin
114	N-S14-010-008	4	10 - 32 UNF x 1/2" Socket Head Screw, Blk. Ox.
116	N-N03-060-000	3	3/8 - 16 UNC Jam Nut, Pltd.
117	N-N02-040-000	1	1/4 - 28 UNF Hex Nut, Pltd.
118	N-S03-040-012	7	1/4 - 20 UNC x 3/4" Lg. Socket Head Cap Screw, Pltd.
119	N-S01-050-112	3	5/16 - 18 UNC x 1 3/4" Lg. Hex Head Screw, Pltd.

Item#	Part #	Qty.	Description
120	N-S01-080-104	6	1/2 - 13 UNC x 1 1/4" Lg. Hex Head Cap Screw, Pltd.
121	N-S01-060-108	1	3/8 - 16 UNC x 1 1/2" Hex Head Cap Screw, Pltd.
122	N-W03-060-000	1	3/8" Standard Lock Washer, Pltd.
123	R-123-824-MCH	1	Drive Roll Key
124	N-N11-100-000	1	5/8 - 11 UNC Hex Castle Nut, Pltd.
125	N-P05-002-104	1	1/8" Dia. x 1 1/4" Lg. Cotter Pin
126	N-S01-040-100	12	1/4 - 20 UNC x 1" Lg. Hex Head Cap Screw, Pltd.
128	N-W03-040-000	8	1/4" Lock Washer, Pltd.
129	N-T03-000-005	1	Drive Roll Support Retaining Ring
130	N-B02-275-001	1	Drive Roll Bearing
130A	N-B04-250-002	1	Bearing Race (Drive Roll Support)
131	N-T56-000-312	1	Drive Roll Retaining Ring
132	N-M11-000-005	1	Drive Roll Seal
133	N-P01-002-102	1	1/8" Dia. x 1 1/8" Lg. Roll Pin
134	N-N01-080-000	4	1/2 - 13 UNC Hex Nut, Pltd.
135	N-P02-006-200	1	3/8" Dia. x 2" Lg. Dowel Pin
136	N-M01-000-007	2	Straight Grease Fitting 1/4" - 28 Taper Thrd. 1/2" Lg.
137	R-036-824-ASY	2	Support Roll
138	N-T53-000-204	1	Retaining Ring (Reversing Gear)
139	N-B01-098-001	1	Bearing (Reversing Gear)
140	N-B02-075-003	1	Bearing (Reversing Gear Shaft)
142	R-028-226-LBL	1	Instruction Warning Label
143	N-T54-000-096	1	Retaining Ring (Reversing Gear Shaft)
144	N-S03-050-100	10	5/16 - 18 UNC x 1" Lg. Socket Head Cap Screw, Blk. Ox.
145	N-W03-050-000	6	3/8" Lock Washer, Pltd.
146	N-T55-000-200	1	Retaining Ring, Drive Roll Support (Rear)
147	N-K01-060-600	1	#606 Woodruff Key
148	N-B04-100-004	2	Bearing (Drive Roll Shaft)
148A	N-B04-100-005	1	Bearing Cup (Drive Roll Shaft)
149	N-S07-010-006	4	10 - 24 UNC x 3/8" Lg. Rnd. Head Machine Screw, Pltd.
150	N-S81-050-008	1	5/16 - 18 UNC x 1/2" Lg. Cup Point Set Screw
151	N-M12-000-003	1	Spring Plunger, Right Side Handle
152	N-S01-080-112	9	1/2 - 13 UNC x 1 3/4" Lg. Hex Head Cap Screw, Pltd.
153	N-M11-000-006	1	Drive Roll Support Seal
154	N-S01-040-104	2	1/4 - 20 UNC x 1 1/4" Lg. Hex Head Cap Screw, Pltd.
156	N-N08-100-000	1	5/8 - 11 UNC Elastic Stop Nut, Pltd.
204	R-204-824-AVG	1	Right Side Handle
205	R-205-824-AVG	1	Left Side Handle
208	R-208-824-AVG	1	Feed Screw Collar
209	R-209-824-AVG	1	Right Barrel Nut
212	R-212-824-AVG	1	Screw Plate
213	R-213-824-AVG	1	Right Swivel Arm Stop
214	R-214-824-AVG	1	Knife Arm Spring Nut
215	R-215-824-AVG	1	Knife Arm Pivot Trunnion
216	R-216-824-AVG	1	Stop Screw Spacer
217	R-217-824-AVG	1	Knife Spring Clamp
218	R-218-824-AVG	1	Knife Holder Support
220	R-220-824-AVG	1	Drive Roll Shaft
221	R-221-824-AVG	1	Drive Roll Gear
224	R-224-824-AVG	2	14" C.I. Pipe Stop
226	R-226-824-AVG	1	Pipe Stop Screw
308	R-308-824-AVG	1	Adjusting Key
310	R-310-824-AVG	2	Swivel Arm Bearing Washer
312	R-312-824-AVG	1	Groove Depth Stop
314	R-314-824-AVG	2	Knife Arm Pivot Support
318	R-318-824-AVG	1	Knife Backup Screw
320	R-320-824-AVG	1	Drive Roll Shaft, Bearing Spacer
324	R-324-824-AVG	2	16 - 24" C.I. Pipe Stop
410	R-410-824-AVG	2	Swivel Arm Bearing Stud
412	R-412-824-AVG	1	Groove Depth Stop Adjusting Screw
418	R-418-824-AVG	1	Clevis Pin
424	R-424-824-AVG	2	8 - 12" Standard Pipe Stop
524	R-524-824-AVG	2	8" C.I. Pipe Stop

VG824 Cut-Grooving Tool



For complete contact information, visit www.victaulic.com

RP-VG824 1757 REV C UPDATED 09/2008 RPL0824000

VICTAULIC IS A REGISTERED TRADEMARK OF VICTAULIC COMPANY. © 2007 VICTAULIC COMPANY. ALL RIGHTS RESERVED. PRINTED IN THE USA.

RP-VG824

