

### Strainer

### Model: BC-70F-P

The Model BC-70F-P Strainer is designed to protect the pipeline and valves from large foreign objects, such as sticks and stones. It is recommended to install the strainer upstream of control valves, flow meters and other system components. For high pressure applications, the Model BC-80F-P Strainer is available.



#### 1.0 General Information:

Pattern: Y (oblique) and angle

Available sizes: 1.5"-24"/DN40-600

Maximum working pressure: 250 or 400 psi/16 or 25 bar

End connections:

- Grooved: (OGS) ANSI/AWWA C606 (1.5"-8"/DN40-200)
- Flanged: ANSI B16.5 class #150 & #300 (1.5"-24"/DN40-600)
- Threaded: NPT/BSP (1.5"-2.5"/DN40-65)

Working temperature: water up to 140°F/65°C

#### 2.0 Certificates:

NSF 61

NSF 372



Others:



#### Job/Owner

System No.	
Location	

#### Contractor

Submitted by	
Date	

#### Engineer

Spec Section	
Paragraph	
Approved	
Date	

### 3.0 Construction Materials:

Body and cover:

- Standard: Ductile Iron
- Optional: Stainless Steel 316

Screen:

- Standard: Stainless Steel 304
- Optional: Stainless Steel 316

Bolts and nuts: Stainless Steel 316

Elastomers: EPDM

Coating: Epoxy fusion bonded

### 4.0 Screen Information

Basket hole diameter (Stainless Steel 304 screen):

- 1.5"-2.5"/DN40-65: 0.06"/1.5mm
- 3"-4"/DN80-100: 0.12"/3.0 mm
- 6"-20"/DN150-600: 0.2"/5.0 mm

### 5.0 General Notes:

N/A

### 6.0 Specify When Ordering:

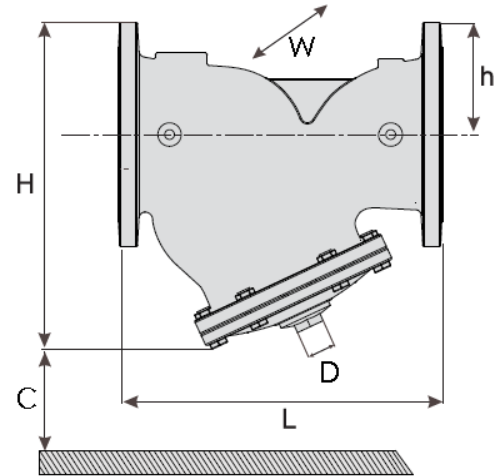
- Maximum flow rate (gpm/m<sup>3</sup>/h)
- Inlet pressure (psi/bar)
- Body material: Ductile Iron (standard) or Stainless Steel
- End connections: grooved (standard), flanged or threaded

**7.0 Dimensions and Weights:**

**7.1 Grooved Strainers - ANSI/AWWA C606 (Standard)**

Inch	1½"	2"	2½"	3"	4"	6"	8"
L (inch)	8.07	8.07	8.46	9.84	12.60	16.34	19.69
L (mm)	205	205	215	250	320	415	500
W (inch)	4.80	4.80	4.80	6.02	7.87	11.22	13.98
W (mm)	122	122	122	153	200	285	355
h (inch)	1.30	1.30	1.56	2.36	2.91	3.74	4.92
h (mm)	33	33	39.5	60	74	95	125
H (inch)	6.26	6.50	6.54	10.39	12.76	16.54	20.24
H (mm)	159	165	166	264	324	420	514
Weight (lb.)	4.9	7.5	11.9	11	15.4	55.1	99.2
Weight (Kg)	2.2	3.4	5.4	5	7	25	45

C = H/2



**7.2 Flanged Strainers**

Inch	ANSI Class 150#							ANSI Class 300#						
	1½"	2"	2½"	3"	4"	6"	8"	1½"	2"	2½"	3"	4"	6"	8"
L (inch)	8.08	8.27	8.75	9.85	12.61	16.35	19.70	8.08	8.27	8.75	10.40	13.99	17.06	20.65
L (mm)	205	210	222	250	320	415	500	205	210	222	264	355	433	524
W (inch)	6.11	6.50	7.01	7.88	8.79	12.61	15.37	6.11	6.50	7.01	7.88	8.79	12.61	15.37
W (mm)	155	165	178	200	223	320	390	155	165	178	200	223	320	390
h (inch)	3.07	3.27	3.74	3.94	4.53	5.63	6.78	3.07	3.27	3.74	4.14	5.00	6.26	7.53
h (mm)	78	83	95	100	115	143	172	78	83	95	105	127	159	191
H (inch)	7.99	8.19	8.66	10.83	13.27	16.89	20.51	7.99	8.19	8.66	10.83	13.27	16.89	20.51
H (mm)	203	208	220	275	337	429	521	203	208	220	275	337	429	521
Weight (lb.)	14.3	17.6	22.9	37.5	61.7	105.8	165.3	16.3	21.6	26.9	43.5	74.7	127.8	211.3
Weight (Kg)	6.5	8	10.4	17	28	48	75	7.4	9.6	12.4	20	34	58	96

C = H/2

**8.0 Flow Factors:**

Inch	1½"	2"	2½"	3"	4"	6"	8"
Cv (gpm@1psi)	40	47	49	113	189	400	655
KV (m3/h@1bar)	35	41	42	98	164	346	567

