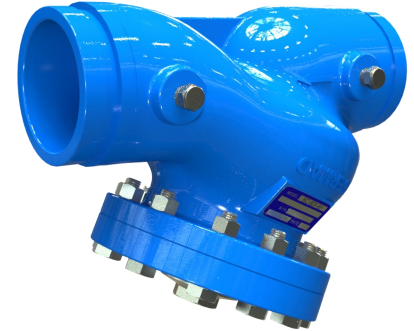


### High Pressure Strainer

### Model: BC-80F-P

The Model BC-80F-P High Pressure Strainer is designed to protect the pipeline and valves from large foreign objects, such as sticks and stones. It is recommended to install the strainer upstream of control valves, flow meters and other system components.



#### 1.0 General Information:

Pattern: Y (oblique) and angle

Available sizes: 1.5"-24"/DN40-600

Maximum working pressure: 600 psi/40 bar

End connections:

- Grooved: (OGS) ANSI/AWWA C606 (1.5"-8"/DN40-200)
- Flanged: ANSI B16.5 class #300 (1.5"-24"/DN40-600)
- Threaded: NPT/BSP (1.5"-2.5"/DN40-65)

Working temperature: water up to 140°F/65°C

#### 2.0 Certificates:

NSF 61



NSF 372

Others:



WRAS  
UK



DVGW  
Germany



ACS  
France



GOST  
Russia



BELGAQUA  
Belgium



AS 5081  
Australia



Watermark  
Australia



PZH  
Poland



Bulgarcontrol  
Bulgaria



SVGW  
Switzerland



ISO 9001 - 2008

#### Job/Owner

System No.	
Location	

#### Contractor

Submitted by	
Date	

#### Engineer

Spec Section	
Paragraph	
Approved	
Date	

### 3.0 Construction Materials:

Body and Cover:

- Standard: Ductile Iron
- Optional: Stainless Steel 316

Screen:

- Standard: Stainless Steel 304
- Optional: Stainless Steel 316

Bolts and nuts: Stainless Steel 316

Elastomers: EPDM

Coating: Epoxy fusion bonded

### 4.0 Screen Information

Basket hole diameter (Stainless Steel 304 screen):

- 1.5"-2.5"/DN40-65: 0.06"/1.5mm
- 3"-4"/DN80-100: 0.12"/3.0 mm
- 6"-20"/DN150-600: 0.2"/5.0 mm

### 5.0 General Notes:

N/A

### 6.0 Specify When Ordering:

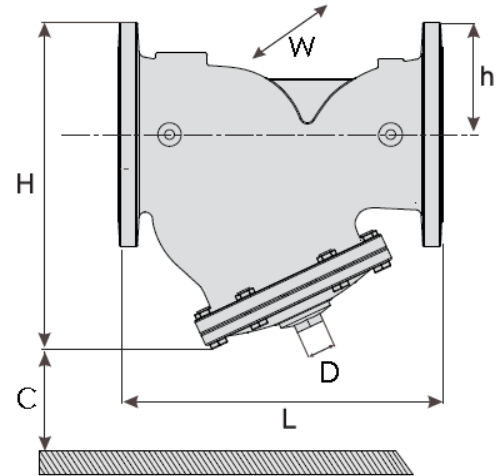
- Maximum flow rate (gpm/m<sup>3</sup>/h)
- Inlet pressure (psi/bar)
- Body material: Ductile Iron (standard) or Stainless Steel
- End connections: grooved (standard), flanged or threaded

### 7.0 Dimensions and Weights:

#### 7.1 Grooved Strainers - ANSI/AWWA C606 (Standard)

Inch	1½"	2"	2½"	3"	4"	6"	8"
L (inch)	8.07	8.07	8.46	9.84	12.60	16.34	19.69
L (mm)	205	205	215	250	320	415	500
W (inch)	4.80	4.80	4.80	6.02	7.87	11.22	13.98
W (mm)	122	122	122	153	200	285	355
h (inch)	1.30	1.30	1.56	2.36	2.91	3.74	4.92
h (mm)	33	33	39.5	60	74	95	125
H (inch)	6.26	6.50	6.54	10.39	12.76	16.54	20.24
H (mm)	159	165	166	264	324	420	514
Weight (lb.)	4.9	7.5	11.9	11	15.4	55.1	99.2
Weight (Kg)	2.2	3.4	5.4	5	7	25	45

$C = H/2$



#### 7.2 Flanged Strainers - ANSI Class 300#

Inch	1½"	2"	2½"	3"	4"	6"	8"
L (inch)	8.08	8.27	8.75	10.40	13.99	17.06	20.65
L (mm)	205	210	222	264	355	433	524
W (inch)	6.11	6.50	7.01	7.88	8.79	12.61	15.37
W (mm)	155	165	178	200	223	320	390
h (inch)	3.07	3.27	3.74	4.14	5.00	6.26	7.53
h (mm)	78	83	95	105	127	159	191
H (inch)	7.99	8.19	8.66	10.83	13.27	16.89	20.51
H (mm)	203	208	220	275	337	429	521
Weight (lb.)	16.3	21.6	26.9	43.5	74.7	127.8	211.3
Weight (Kg)	7.4	9.6	12.4	20	34	58	96

$C = H/2$

### 8.0 Flow Factors:

Inch	1½"	2"	2½"	3"	4"	6"	8"
Cv (gpm@1psi)	40	47	49	113	189	400	655
KV (m3/h@1bar)	35	41	42	98	164	346	567