

FireLock® V27, K5.6

Models V2758 Quick Response

Extended Coverage/Light Hazard (ECLH)
Horizontal Sidewall and Recessed Horizontal Sidewall
Quick Response



V2758
Standard Horizontal
Sidewall

1.0 PRODUCT DESCRIPTION

Models

- V2758

Style

- ECLH – Horizontal Sidewall or Recessed Horizontal Sidewall

Nominal Orifice Size

- ½" NPT/15 mm

K Factor

- 5.6 Imp./8.1 S.I.¹

Nominal Thread Size

- ½" NPT/15 mm

Max. Working Pressure

- 175 psi/1200 kPa

Factory Hydrostatic Test

- 100% @ 500 psi/3450 kPa

Min. Operating Pressure

- 7 psi/48 kPa

Temperature Rating:

- See chart in section 5.0 Performance.

Coverage

- Extended spray coverage is up to 384 square feet/ 35.7 sq. m per NFPA 13 or similar, per local code requirements.

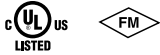
¹ For K-Factor when pressure is measured in Bar, multiply S.I. units by 10.0.

ALWAYS REFER TO ANY NOTIFICATIONS AT THE END OF THIS DOCUMENT REGARDING PRODUCT INSTALLATION, MAINTENANCE OR SUPPORT.

System No.		Location	
Submitted By		Date	

Spec Section		Paragraph	
Approved		Date	

2.0 CERTIFICATION/LISTINGS



3.0 MATERIAL SPECIFICATIONS

Deflector: UNS C51000

Bulb: Glass with glycerin solution

Bulb Nominal Diameter:

Quick Response: 3.0 mm

Load Screw: UNS C65100

Pip Cap: UNS C65100

Spring: Beryllium nickel

Seal: Teflon² tape

Frame: Die cast brass 65-30

Lodgement Spring: UNS S30200

Installation Wrench (not included):

Open End V27

Recessed V27-2

Sprinkler Finishes (pick one):

Plain Brass

Chrome Plated

White Painted³

Custom Painted³

VC-250⁴

² Teflon is a registered trademark of Dupont Co.

³ UL Listed for corrosion resistance.

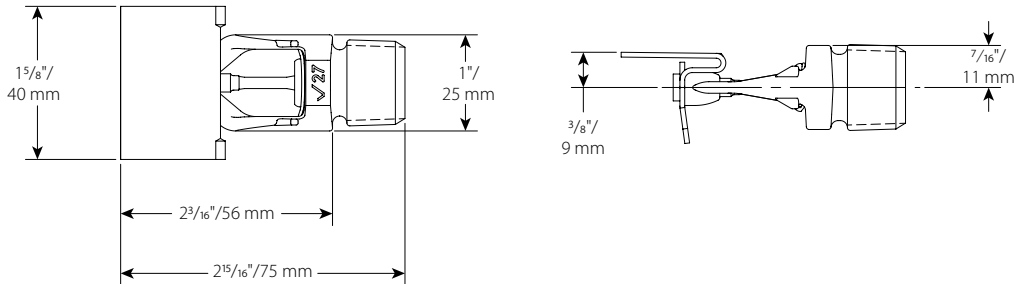
⁴ UL Listed and FM Approved for corrosion resistance.

NOTE

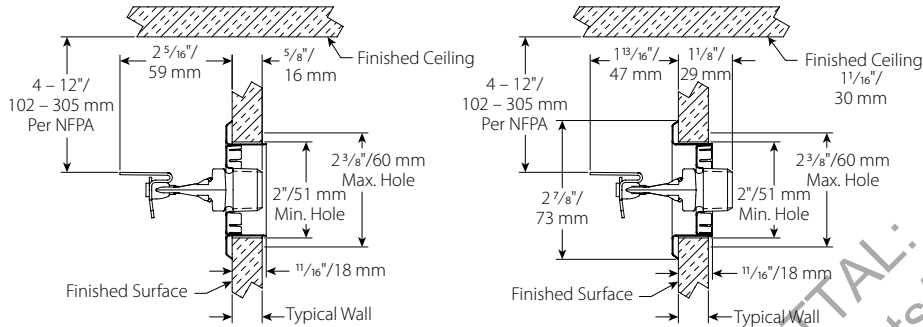
- For escutcheons, boxes and other accessories refer to separate sheet.
- Weather resistant recessed escutcheons available upon request.

DISCONTINUED SUBMITTAL:
REFERENCE <https://www.victaulic.com/assets/uploads/sprinklers>
FOR OUR CURRENT OFFERING AND APPLICABLE SUBMITTALS

4.0 DIMENSIONS



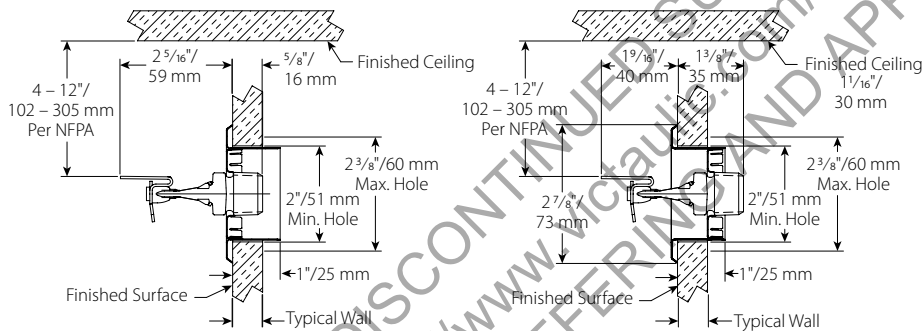
1/2\"/>



MAXIMUM EXTENSION

MAXIMUM RECESS

3/4\"/>



MAXIMUM EXTENSION

MAXIMUM RECESS

DISCONTINUED SUBMITTAL: https://www.victaulic.com/assets/uploads/sprinklers FOR OUR CURRENT OFFERING AND APPLICABLE SUBMITTALS

5.0 PERFORMANCE

Approvals/Listings

APPROVALS/LISTINGS		Model		
		V2758	V2758	V2758
Orifice Size (inches)		1/2"	1/2"	1/2"
Orifice Size (mm)		13	13	13
Nominal K Factor Imperial		5.6	5.6	5.6
Nominal K Factor S.I. ⁶		8.1	8.1	8.1
Response		Quick	Quick	Quick
Deflector Type		ECLH HSW	Recessed ECLH HSW Up to 1/2" Adjustment	Recessed ECLH HSW Up to 3/4" Adjustment
Room Size Feet/meters		Approved Temperature Ratings F°/C ⁵		
16 × 16 4.9 × 4.9	cULus FM	C D	C A,E ⁷	C -
16 × 18 4.9 × 5.5	cULus FM	C D	C A,E ⁷	C -
16 × 20 4.9 × 6.1	cULus FM	C D	C A,E ⁷	C -
16 × 22 4.9 × 6.7	cULus FM	A, B D	A, B A,E ⁷	A, B -
16 × 24 4.9 × 7.3	cULus FM	A D	A A,E ⁷	A -

⁵ Listings and approval as of printing. Not all temperature rating combinations are Approved or Listed. Check Victaulic for specific combinations.

⁶ For K-Factor when pressure is measured in Bar, multiply S.I. units by 10.0

⁷ Approved by FM as standard response.

Approved Temperature Ratings

Temperature Rating. Deflector to Ceiling	
A	135°F/57°C, 4 - 12"/102 - 305 mm
B	135°F/57°C to 175°F/79°C, 4 - 6"/102 - 152 mm
C	135°F/57°C to 200°F/93°C, 4 - 12"/102 - 305 mm
D	135°F/57°C to 155°F/68°C, 4 - 12"/102 - 305 mm
E	155°F/68°C, 4 - 12"/102 - 305 mm

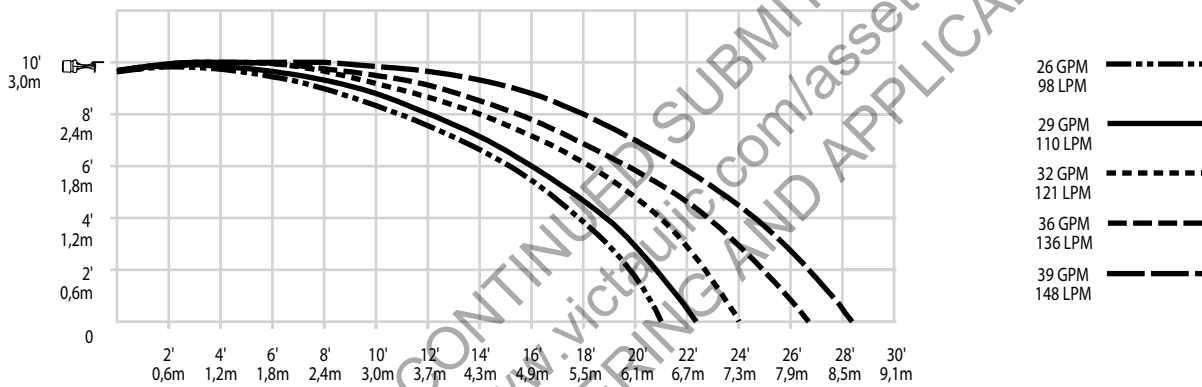
5.0 PERFORMANCE (Continued)

Room Size

Sprinkler Performance Flow And Pressure (Minimum) V2758						
Room Size	Flow Rate			End Sprinkler Pressure		
		GPM LPM			psi kPa	
Ft. x Ft. m x m	FM	UL		FM	UL	
		4 – 6"	6 – 12"		4 – 6"	6 – 12"
16 x 16 4.9 x 4.9	26 100	26 98	26 98	22 152	22 152	22 152
16 x 18 4.9 x 5.5	30 115	29 110	29 110	29 200	27 186	27 186
16 x 20 4.9 x 6.1	33 125	32 121	32 121	35 241	33 228	33 328
16 x 22 4.9 x 6.7	-	36 136	36 136	-	41 283	41 283
16 x 24 4.9 x 7.3	-	39 148	40 ⁸ 151	-	49 338	51 352

⁸ Max 10" below ceiling.

Distribution Patterns



Models V2758
K5.6 Extended Coverage/Light Hazard (ECLH)
Horizontal Sidewall And Recessed Horizontal Sidewall
Distribution Patterns – Trajectory

Response	Minimum Installation Spacing	
	feet	meters
V2758 - Quick	8.0	2.4

NOTES

- Data shown is approximate and can vary due to differences in installation.
- These graphs illustrate approximate trajectories, floor-wetting, and wall-wetting patterns for these specific Victaulic FireLock Automatic Sprinklers. They are provided as information for guidance in avoiding obstructions to sprinklers and should not be used as minimum sprinkler spacing rules for installation. Refer to the appropriate NFPA National Fire Code or the Authority Having Jurisdiction for specific information regarding obstructions, spacing limitations and area of coverage requirements. Failure to follow these guidelines could adversely affect the performance of the sprinkler and will void all Listings, Approvals and Warranties.
- All patterns are symmetrical to the centerline of the waterway.

6.0 NOTIFICATIONS

WARNING



- Always read and understand installation, care, and maintenance instructions, supplied with each box of sprinklers, before proceeding with installation of any sprinklers.
- Always wear safety glasses and foot protection.
- Depressurize and drain the piping system before attempting to install, remove, or adjust any Victaulic piping products.
- Installation rules, especially those governing obstruction, must be strictly followed.
- Painting, plating, or any re-coating of sprinklers (other than that supplied by Victaulic) is not allowed.

Failure to follow these instructions could result in serious personal injury and/or property damage.

The owner is responsible for maintaining the fire protection system and devices in proper operating condition. For minimum maintenance and inspection requirements, refer to the current National Fire Protection Association pamphlet that describes care and maintenance of sprinkler systems. In addition, the authority having jurisdiction may have additional maintenance, testing, and inspection requirements that must be followed.

If you need additional copies of this publication, or if you have any questions about the safe installation of this product, contact Victaulic World Headquarters: P.O. Box 31, Easton, Pennsylvania 18044-0031 USA, Telephone: 001-610-559-3300.

7.0 REFERENCE MATERIALS

Ratings

All glass bulbs are rated for temperatures from -67°F/-55°C up to those shown in adjacent table.

Sprinkler Temperature Classification	Victaulic Part Identification	Temperature – °F/°C		Glass Bulb Color
		Nominal Temperature Rating	Maximum Ambient Temperature Allowed	
Ordinary	A	135°F/57°C	100°F/38°C	Orange
Ordinary	C	155°F/68°C	100°F/38°C	Red
Intermediate	E	175°F/79°C	150°F/65°C	Yellow
Intermediate	F	200°F/93°C	150°F/65°C	Green

Available Wenchers

	V27-2 Recessed	V27 Open End
No escutcheon	Yes	Yes
With escutcheon	Yes	–

DISCONTINUED SUBMITTAL:
REFERENCE <https://www.victaulic.com/assets/uploads/sprinklers>
CURRENT OFFERING AND APPLICABLE SUBMITTALS

User Responsibility for Product Selection and Suitability

Each user bears final responsibility for making a determination as to the suitability of Victaulic products for a particular end-use application, in accordance with industry standards and project specifications, and the applicable building codes and related regulations as well as Victaulic performance, maintenance, safety, and warning instructions. Nothing in this or any other document, nor any verbal recommendation, advice, or opinion from any Victaulic employee, shall be deemed to alter, vary, supersede, or waive any provision of Victaulic Company's standard conditions of sale, installation guide, or this disclaimer.

Intellectual Property Rights

No statement contained herein concerning a possible or suggested use of any material, product, service, or design is intended, or should be construed, to grant any license under any patent or other intellectual property right of Victaulic or any of its subsidiaries or affiliates covering such use or design, or as a recommendation for the use of such material, product, service, or design in the infringement of any patent or other intellectual property right. The terms "Patented" or "Patent Pending" refer to design or utility patents or patent applications for articles and/or methods of use in the United States and/or other countries.

Note

This product shall be manufactured by Victaulic or to Victaulic specifications. All products to be installed in accordance with current Victaulic installation/assembly instructions. Victaulic reserves the right to change product specifications, designs and standard equipment without notice and without incurring obligations.

Installation

Reference should always be made to the Victaulic installation handbook or installation instructions of the product you are installing. Handbooks are included with each shipment of Victaulic products, providing complete installation and assembly data, and are available in PDF format on our website at www.victaulic.com.

Warranty

Refer to the Warranty section of the current Price List or contact Victaulic for details.

Trademarks

Victaulic and all other Victaulic marks are the trademarks or registered trademarks of Victaulic Company, and/or its affiliated entities, in the U.S. and/or other countries.