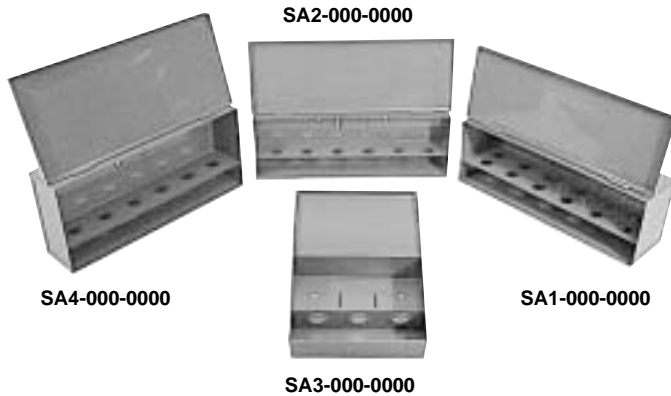


Sprinkler Cabinets

PRODUCT DESCRIPTION



Victaulic Automatic Sprinkler Cabinets provide for storage of a supply of sprinklers. Maintaining a supply of spare sprinklers on the premises of automatic

sprinkler systems will aid in the prompt replacement of operated or damaged sprinklers and returning a fire protection system to service as soon as possible.

This is a requirement of NFPA and most Authorities Having Jurisdiction. Refer to the applicable NFPA standard governing your specific installation for further details.

Six or twelve sprinkler capacity cabinets are available. This also provides for storage of the appropriate wrench which is required for the installation and removal of sprinklers.

NFPA 25 requires the total number of spare sprinklers to be stored on the premises of an automatic sprinkler system meet the minimum quantities shown

in the accompanying table. When the sprinkler system includes more than one type of temperature rating sprinkler, the stock of spare sprinklers must include a proportional sampling of each type and temperature rating; however, a minimum of 3 each is recommended.

Sprinklers in Building	Min. Number of Spare Sprinklers
Under 300	6*
300 to 1000	12
Over 1000	24

*A minimum of three sprinklers of each type and temperature rating are required for residential fire sprinkler systems in one- and two-family dwellings and mobile homes.

TECHNICAL SPECIFICATIONS

Models:

- 12 sprinklers
- 6 sprinklers
- 3 sprinklers (NFPA/3D, Residential)
- 6 large sprinklers

Material: Heavy gauge steel, red enamel.

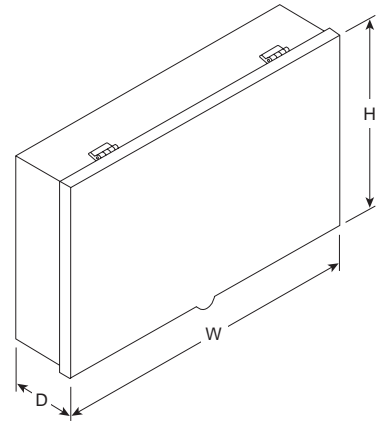
Cabinets are available in six or twelve sprinkler capacities with dimensions and shelf variations as shown on page 2. The cabinets are of welded construction fabricated from low carbon steel sheet. The box and shelves are fabricated from 0.030" thick material and the cover is fabricated from 0.042" thick material.

The cover is mounted to the box, at the top, with two 0.036" thick steel butt type hinges. A coat of red enamel paint is applied inside and out, and a label indicating that the cabinet is for spare sprinklers is bonded to the cover.

VICTAULIC® IS AN ISO 9001 CERTIFIED COMPANY

<p>Victaulic Company of America Phone: 1-800-PICK-VIC (1-800-742-5842) Fax: 610-250-8817 e-mail: pickvic@victaulic.com</p>	<p>Victaulic Company of Canada Phone: 416-675-5575 Fax: 416-675-5565 e-mail: viccanada@victaulic.com</p>	<p>Victaulic Europe Phone: 32-9-381-1500 Fax: 32-9-380-4438 e-mail: viceuro@victaulic.be</p>	<p>Victaulic America Latina Phone: 610-559-3300 Fax: 610-559-3608 e-mail: vical@victaulic.com</p>	<p>Victaulic Asia Pacific Phone: 65-235-3035 Fax: 65-235-0535 e-mail: vicap@victaulic.com</p>
---	---	---	--	--

DIMENSIONS



Victaulic Part Number	Description	Use With	Dimensions – Inches/millimeters		
			H	W	D
SA1-000-0000	For 12 Sprinklers	V10, V26, V29, V27, V34 (except V3403 & V3404)	5.25 133	14.31 364	4.00 102
SA2-000-0000	For 6 Sprinklers	V27, V3403, V3404, V34	5.25 133	14.31 364	2.38 60
SA3-000-0000	For 3 Sprinklers (NFPA 13D)	V27, V29 Residential	5.25 133	7.31 186	2.38 60
SA4-000-0000	For 6 Large Sprinklers	V40, V38, V39 Concealed, K1 ESFR, All Intermediate Level Sprinklers, All Guards*	6.50 165	14.31 364	3.13 79

Specify part number and capacity when ordering.

*Guards will only fit if **NOT** assembled to sprinkler. Capacity may be reduced.

INSTALLATION

⚠ WARNING

- Automatic Sprinkler Cabinets must be installed and the spare sprinkler stock maintained in compliance with the applicable standards of the NFPA, in addition to the standards of any other Authorities Having Jurisdiction.

Failure to do so may result in property damage and impair the ability to return an automatic sprinkler system to service as soon as possible.

⚠ CAUTION

- The owner is responsible for maintaining a supply of spare sprinklers in proper condition. The installing contractor should be contacted with any questions.

Failure to do so may result in property damage.

WARRANTY

Refer to the Warranty section of the current Price List or contact Victaulic for details.